



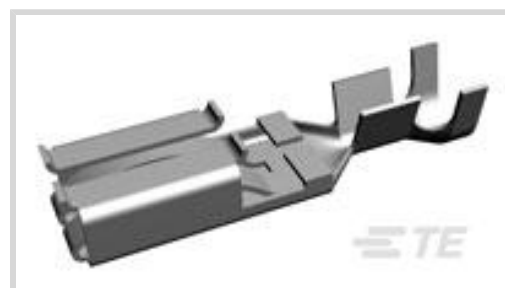
AMP

TE Internal #: 342413-2

Automotive Terminals, Receptacle, Mating Tab Width 5.16 mm [.2 in], Tab Thickness .85 mm [.034 in], 19 – 14 AWG Wire Size, .65 – 2 mm<sup>2</sup> Wire Size

[View on TE.com >](#)

Terminals & Splices > Automotive Terminals



Terminal Type: **Receptacle**

Mating Tab Width: **5.16 mm [.2 in]**

Mating Tab Thickness: **.85 mm [.034 in]**

Terminal Transmits: **0 – 24 A (Low Power)**

Wire Size: **19 – 14 AWG**

**Features**

**Product Type Features**

Receptacle Style	180°
Sealable	No
Primary Locking Feature	Locking Lance

**Contact Features**

Contact Fabrication	Stamped & Formed
Wire Contact Termination Area Plating Material	Tin
Crimp Type	F-Crimp
Terminal Type	Receptacle
Mating Tab Width	5.16 mm [.2 in]
Mating Tab Thickness	.85 mm [.034 in]
Interface Plating	Tin (Sn)

**Termination Features**

Termination Method to Wire & Cable	Crimp
Product Terminates To	Wire

**Dimensions**

Compatible Insulation Diameter Range	2.4 – 3.5 mm [.094 – .137 in]
Wire Size	.65 – 2 mm <sup>2</sup>
Wire Size Search	14 AWG, 15 AWG, 16 AWG, 17 AWG, 18



AWG, 19 AWG

### Usage Conditions

Insulation Option	Uninsulated
-------------------	-------------

### Operation/Application

Compatible With Wire Base Material	Copper
------------------------------------	--------

### Packaging Features

Packaging Quantity	2500
--------------------	------

Packaging Method	Reel
------------------	------

### Other

Customer Preferred Contact	No
----------------------------	----

Terminal Transmits	0 – 24 A (Low Power)
--------------------	----------------------

## Product Compliance

For compliance documentation, visit the product page on [TE.com](https://www.te.com)>

EU RoHS Directive 2011/65/EU	Compliant
------------------------------	-----------

EU ELV Directive 2000/53/EC	Compliant
-----------------------------	-----------

China RoHS 2 Directive MIIT Order No 32, 2016	No Restricted Materials Above Threshold
---	---

EU REACH Regulation (EC) No. 1907/2006	Current ECHA Candidate List: JUNE 2023 (235) Candidate List Declared Against: JUNE 2023 (235) Does not contain REACH SVHC
--	---

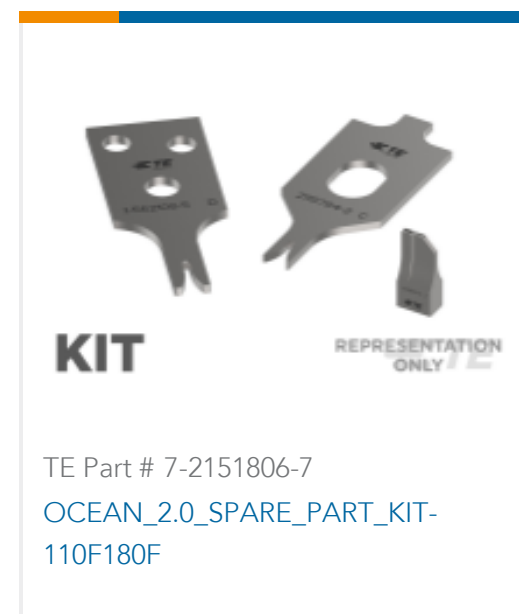
Halogen Content	Low Halogen - Br, Cl, F, I < 900 ppm per homogenous material. Also BFR/CFR/PVC Free
-----------------	---

Solder Process Capability	Not applicable for solder process capability
---------------------------	--

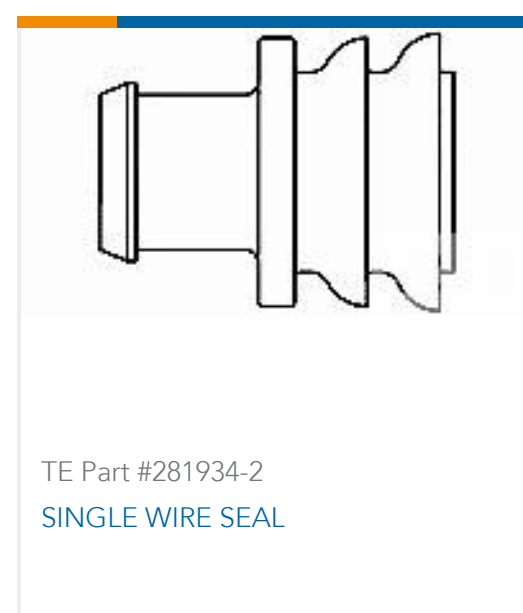
#### Product Compliance Disclaimer

This information is provided based on reasonable inquiry of our suppliers and represents our current actual knowledge based on the information they provided. This information is subject to change. The part numbers that TE has identified as EU RoHS compliant have a maximum concentration of 0.1% by weight in homogenous materials for lead, hexavalent chromium, mercury, PBB, PBDE, DBP, BBP, DEHP, DIBP, and 0.01% for cadmium, or qualify for an exemption to these limits as defined in the Annexes of Directive 2011/65/EU (RoHS2). Finished electrical and electronic equipment products will be CE marked as required by Directive 2011/65/EU. Components may not be CE marked. Additionally, the part numbers that TE has identified as EU ELV compliant have a maximum concentration of 0.1% by weight in homogenous materials for lead, hexavalent chromium, and mercury, and 0.01% for cadmium, or qualify for an exemption to these limits as defined in the Annexes of Directive 2000/53/EC (ELV). Regarding the REACH Regulation, the information TE provides on SVHC in articles for this part number is based on the latest European Chemicals Agency (ECHA) 'Guidance on requirements for substances in articles' posted at this URL: <https://echa.europa.eu/guidance-documents/guidance-on-reach>

## Compatible Parts



## Customers Also Bought



## Documents

### CAD Files

Customer View Model

[ENG\\_CVM\\_342413-2\\_E.3d\\_igs.zip](#)

English

Customer View Model

[ENG\\_CVM\\_342413-2\\_E.3d\\_stp.zip](#)

English



Customer View Model

[ENG\\_CVM\\_342413-2\\_E.2d\\_dxf.zip](#)

English

[3D PDF](#)

English

By downloading the CAD file I accept and agree to the [Terms and Conditions](#) of use.