

344086-1 ✓ ACTIVE

AMP | Ultra-Fast 250

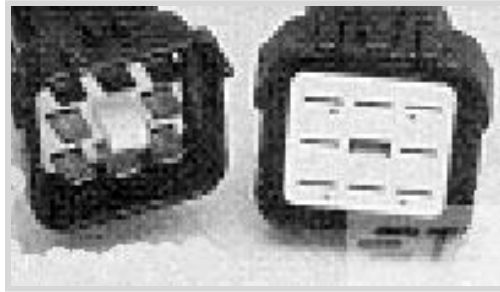
TE Internal #: 344086-1

Automotive Connector Caps & Covers, White, Nylon 6.6, Ultra-Fast 250

[View on TE.com >](#)



Connectors > Automotive Connectors > Automotive Connector Accessories > Automotive Connector Caps & Covers



Strain Relief: **Without**

Primary Product Color: **White**

Primary Product Material: **Nylon 6.6**

## Features

### Body Features

Primary Product Color	White
Primary Product Material	Nylon 6.6

### Mechanical Attachment

Strain Relief	Without
---------------	---------

## Product Compliance

[For compliance documentation, visit the product page on TE.com>](#)

EU RoHS Directive 2011/65/EU	Compliant
EU ELV Directive 2000/53/EC	Compliant
China RoHS 2 Directive MIIT Order No 32, 2016	No Restricted Materials Above Threshold
EU REACH Regulation (EC) No. 1907/2006	Current ECHA Candidate List: JUNE 2023 (235) Candidate List Declared Against: JUL 2017 (174) Does not contain REACH SVHC
Halogen Content	Low Halogen - Br, Cl, F, I < 900 ppm per homogenous material. Also BFR/CFR/PVC Free
Solder Process Capability	Not applicable for solder process capability

### Product Compliance Disclaimer

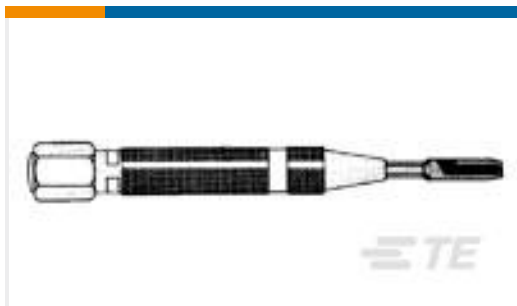
This information is provided based on reasonable inquiry of our suppliers and represents our current actual knowledge based on the information they provided. This information is subject to change. The part numbers that TE has identified as EU RoHS compliant have a maximum concentration of 0.1% by weight in homogenous materials for lead, hexavalent chromium, mercury, PBB, PBDE, DBP, BBP, DEHP, DIBP, and 0.01% for cadmium, or qualify for an exemption to these

limits as defined in the Annexes of Directive 2011/65/EU (RoHS2). Finished electrical and electronic equipment products will be CE marked as required by Directive 2011/65/EU. Components may not be CE marked. Additionally, the part numbers that TE has identified as EU ELV compliant have a maximum concentration of 0.1% by weight in homogenous materials for lead, hexavalent chromium, and mercury, and 0.01% for cadmium, or qualify for an exemption to these limits as defined in the Annexes of Directive 2000/53/EC (ELV). Regarding the REACH Regulation, the information TE provides on SVHC in articles for this part number is based on the latest European Chemicals Agency (ECHA) 'Guidance on requirements for substances in articles' posted at this URL: <https://echa.europa.eu/guidance-documents/guidance-on-reach>

## Compatible Parts



TE Part # 344073-1  
8 WAY TAB HSG.BLACK



TE Part # 344525-1  
ASSY TOOL FOR ECONOSEAL 3HIGH

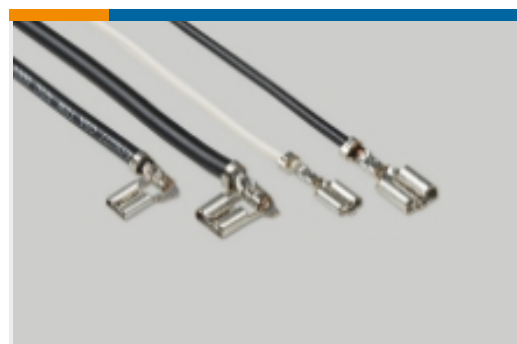
## Also in the Series | Ultra-Fast 250



Automotive Connector Caps & Covers  
(1)

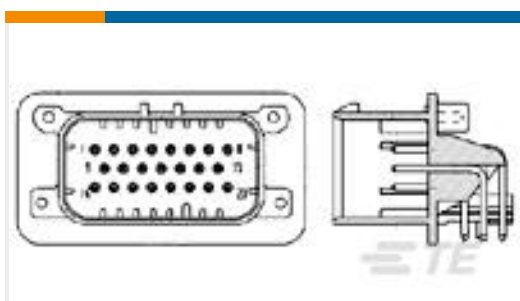


Automotive Housings(5)



Quick Disconnects(49)

## Customers Also Bought



TE Part #776087-1  
23POS,PIN DIA 1.3,HDR ASSY,90DEG,  
COD 1



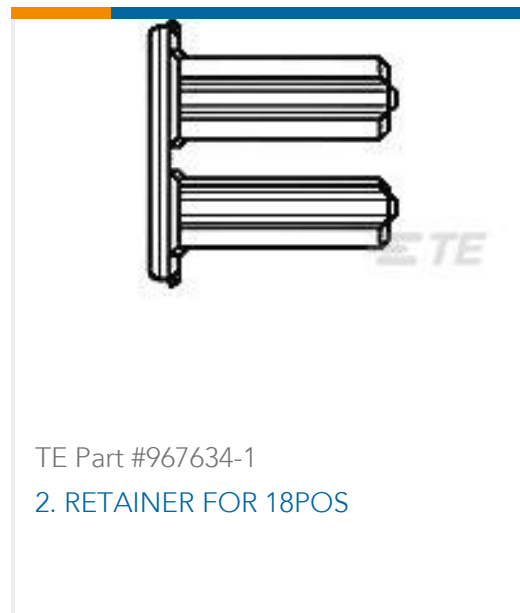
TE Part #182916-1  
CPC SQ.FL.RCPT STD SEX



TE Part #1-967624-1  
Timer Connector Housing



TE Part #1563110-1  
COVER,90



## Documents

### Product Drawings

#### 8 WAY TAB ANTI-BACKOUT

English

### CAD Files

#### Customer View Model

[ENG\\_CVM\\_344086-1\\_B.3d\\_igs.zip](#)

English

#### Customer View Model

[ENG\\_CVM\\_344086-1\\_B.3d\\_stp.zip](#)

English

#### Customer View Model

[ENG\\_CVM\\_344086-1\\_B.2d\\_dxf.zip](#)

English

### 3D PDF

English

By downloading the CAD file I accept and agree to the [Terms and Conditions](#) of use.