



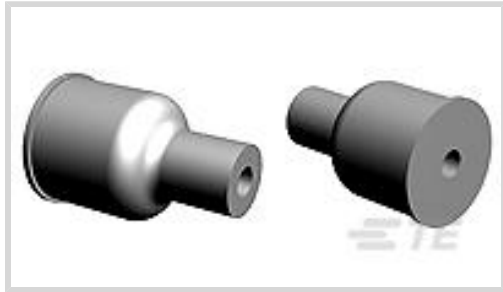
AMP | Econoseal

TE Internal #: 348989-1

Single Wire Seal (SWS), Silicone, Red, 4.4 mm [.173 in] Cavity Diameter, .059 – .094 in [1.5 – 2.4 mm] Insulation Diameter, Econoseal

[View on TE.com >](#)

Connectors > Connector Accessories > Connector Seals & Cavity Plugs



Connector Seal & Plug Type: **Single Wire Seal (SWS)**

Primary Product Material: **Silicone**

Primary Product Color: **Red**

Cavity Diameter: **4.4 mm [.173 in]**

Compatible Insulation Diameter Range: **1.5 – 2.4 mm [.059 – .094 in]**

Features

Product Type Features

Connector Seal & Plug Type	Single Wire Seal (SWS)
----------------------------	------------------------

Body Features

Primary Product Material	Silicone
Primary Product Color	Red

Dimensions

Cavity Diameter	4.4 mm [.173 in]
Compatible Insulation Diameter Range	1.5 – 2.4 mm [.059 – .094 in]

Usage Conditions

Operating Temperature (Max)	65 °C, 70 °C, 75 °C, 80 °C, 85 °C, 90 °C, 100 °C, 105 °C, 110 °C, 120 °C, 125 °C, 130 °C [149 °F][158 °F][167 °F][176 °F][185 °F][194 °F][212 °F][221 °F][230 °F][248 °F][257 °F][266 °F]
Operating Temperature Range	-40 – 130 °C [-40 – 266 °F]

Industry Standards

UL Flammability Rating	None
------------------------	------

Other

Resistance to Hydrocarbons	Poor
Shore A Hardness	40

Contains Lubricant	Yes
--------------------	-----

Product Compliance

[For compliance documentation, visit the product page on TE.com>](#)

EU RoHS Directive 2011/65/EU	Compliant
EU ELV Directive 2000/53/EC	Compliant
China RoHS 2 Directive MIIT Order No 32, 2016	No Restricted Materials Above Threshold
EU REACH Regulation (EC) No. 1907/2006	Current ECHA Candidate List: JUNE 2023 (235) Candidate List Declared Against: JUNE 2023 (235) Does not contain REACH SVHC
Halogen Content	Low Halogen - Br, Cl, F, I < 900 ppm per homogenous material. Also BFR/CFR/PVC Free
Solder Process Capability	Not applicable for solder process capability

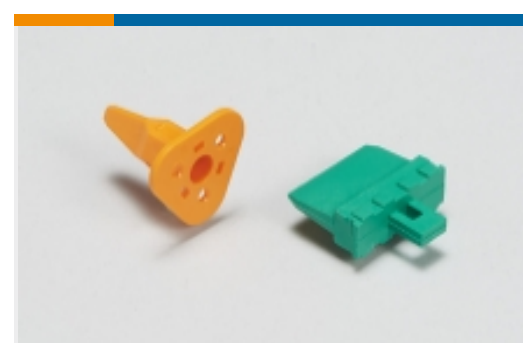
Product Compliance Disclaimer

This information is provided based on reasonable inquiry of our suppliers and represents our current actual knowledge based on the information they provided. This information is subject to change. The part numbers that TE has identified as EU RoHS compliant have a maximum concentration of 0.1% by weight in homogenous materials for lead, hexavalent chromium, mercury, PBB, PBDE, DBP, BBP, DEHP, DIBP, and 0.01% for cadmium, or qualify for an exemption to these limits as defined in the Annexes of Directive 2011/65/EU (RoHS2). Finished electrical and electronic equipment products will be CE marked as required by Directive 2011/65/EU. Components may not be CE marked. Additionally, the part numbers that TE has identified as EU ELV compliant have a maximum concentration of 0.1% by weight in homogenous materials for lead, hexavalent chromium, and mercury, and 0.01% for cadmium, or qualify for an exemption to these limits as defined in the Annexes of Directive 2000/53/EC (ELV). Regarding the REACH Regulation, the information TE provides on SVHC in articles for this part number is based on the latest European Chemicals Agency (ECHA) 'Guidance on requirements for substances in articles' posted at this URL: <https://echa.europa.eu/guidance-documents/guidance-on-reach>

Also in the Series | Econoseal



Automotive Connector Caps & Covers (1)



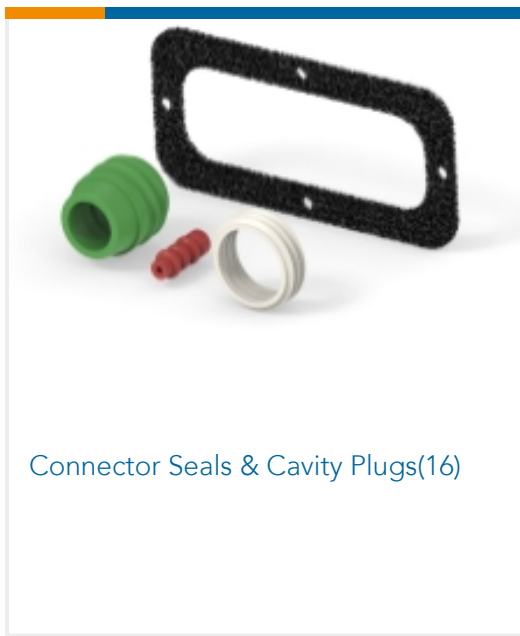
Automotive Connector Locks & Position Assurance(25)



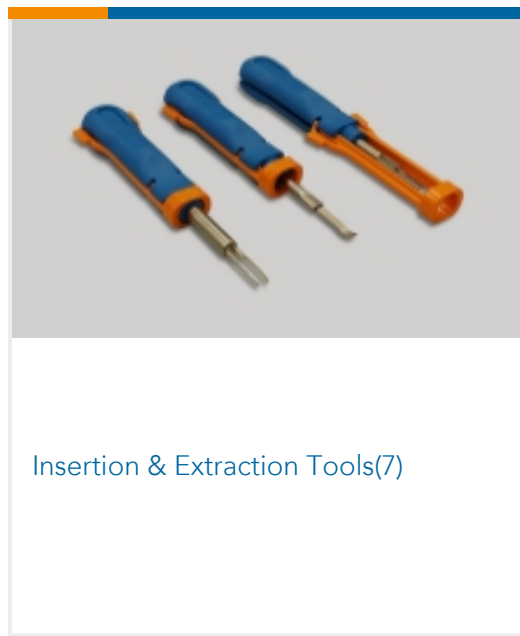
Automotive Housings(86)



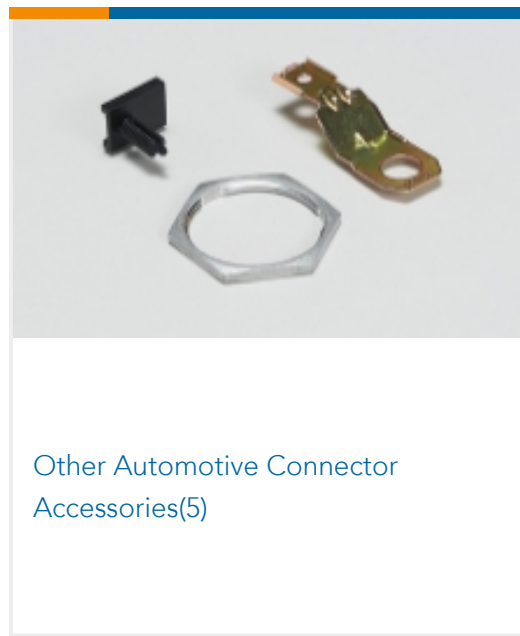
Automotive Terminals(43)



Connector Seals & Cavity Plugs(16)



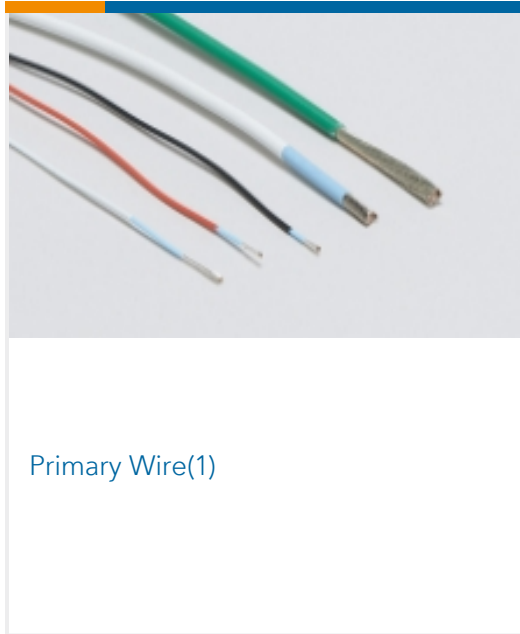
Insertion & Extraction Tools(7)



Other Automotive Connector Accessories(5)



PCB Headers & Receptacles(3)



Primary Wire(1)

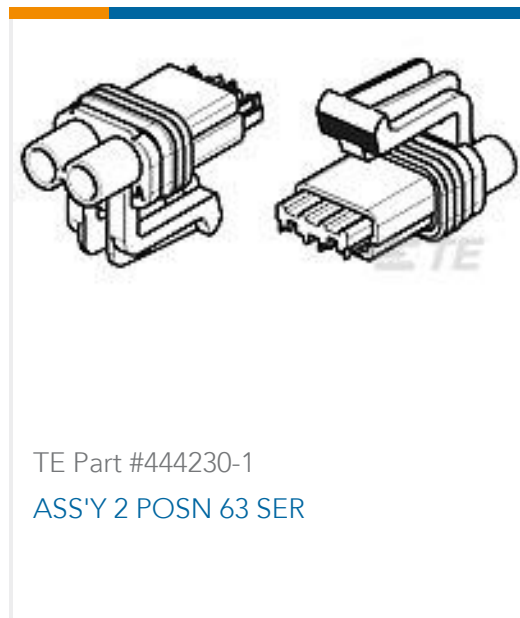
Customers Also Bought



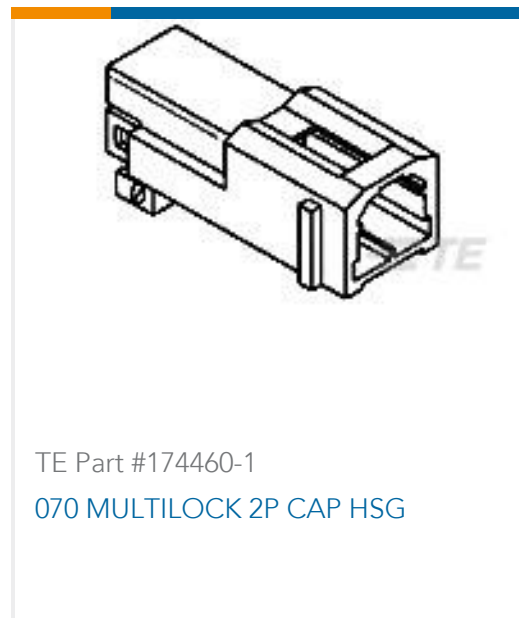
TE Part #881778-1
KIT ECONOSEAL J 6PO



TE Part #964304-1
TIMER, RECEPTACLE AND TAB



TE Part #444230-1
ASS'Y 2 POSN 63 SER



TE Part #174460-1
070 MULTILOCK 2P CAP HSG



TE Part #626094-2
FF .250 REC 0.5 /1.0 MM2 0.32X19.3
TPBR



TE Part #880646-6
POSITIVE LOCK REC.



TE Part #170002-7
TERMINAL GROUP NUMBER

Documents

Product Drawings

CAD Files

3D PDF

3D

Customer View Model

[ENG_CVM_CVM_348989-1_B.2d_dxf.zip](#)

English

Customer View Model

348989-1

Single Wire Seal (SWS), Silicone, Red, 4.4 mm [.173 in] Cavity Diameter, .059 – .094 in [1.5 – 2.4 mm] Insulation Diameter, Econoseal



[ENG_CVM_CVM_348989-1_B.3d_igs.zip](#)

English

Customer View Model

[ENG_CVM_CVM_348989-1_B.3d_stp.zip](#)

English

By downloading the CAD file I accept and agree to the [Terms and Conditions](#) of use.