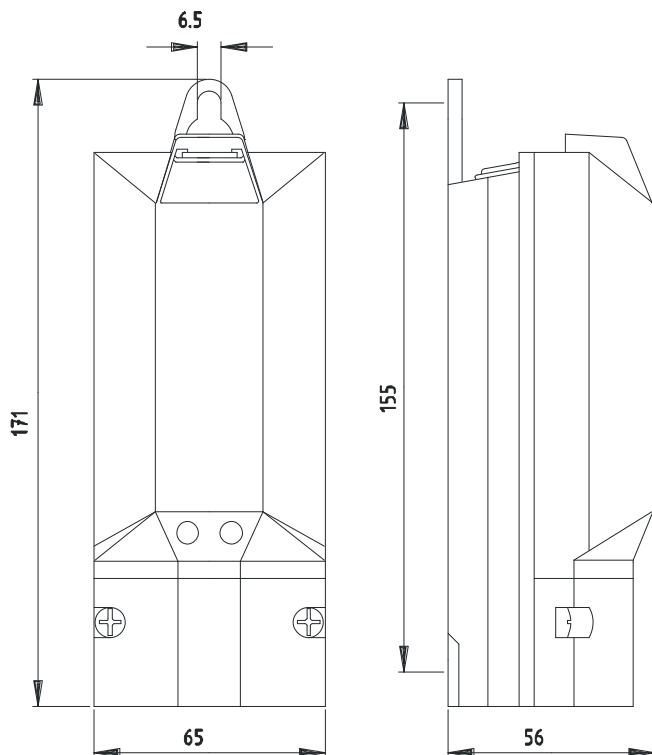
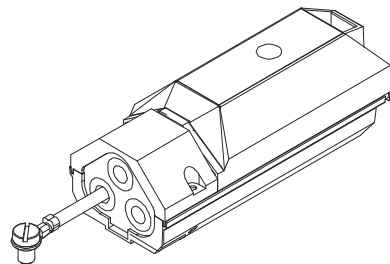


EKM-2040-1D1-5x10-6-E34
Art.-Nr. 599094-000 (JOR-94349)

Fuse box for lighting application EKM 2040 according to DIN 43628

for installation in lighting columns

- protection class II
- ingress protection IP 43
- minimum diameter 70 mm
- door opening minimum 66 x 170 mm
- l x w x h: 171 x 65 x 56 mm
- transparent cover with snap lock
- 1 fuse base 16 A / D01-E 14
- 1 fuse 6 A / E 14
- 1 screw cap E 14
- 5-pin mantle terminal block
- pre-mounting earthing cable, 10 mm², green / yellow, 400 mm long, with captive screw M 8 x 12
- cable entry: cable clamp for 1 cable to 2 cables 5 x 10 mm²
for 3 cables 5 x 6 mm²
- output: double cable gland



Cable entry

