



85VCV

Vacuum Constant Voltage

Specifications

- 316L SS Pressure Sensor
- Small Profile
- 0 - 100mV Output
- Vacuum Gage
- Temperature Compensated

Features

- Weldable/Threaded Process Fittings
- -40°C to +125°C Operating Temperature Range
- Up to $\pm 0.1\%$ Pressure Non-Linearity
- Solid State Reliability

Applications

- Medical Instruments
- Process Control
- Fresh & Waste Water Measurements
- Partial Vacuum Gas Measurement
- Pressure Transmitters
- Tank Level Systems (RV & Industrial)

Model 85VCV is a compensated, Constant Voltage, micro-machined, piezoresistive silicon pressure sensor designed for vacuum gage applications, packaged in a 316L Stainless Steel housing. The pressure sensor is offered in a weldable package or with a variety of threaded fittings such as 1/4NPT, 1/8NPT and 1/4BSP. Custom fittings can be manufactured upon request.

This product is designed for OEM applications where compatibility with corrosive media is required. The sensing package utilizes silicon oil to transfer pressure from the 316L Stainless Steel diaphragm to the sensing element. A ceramic substrate is attached to the package that contains laser-trimmed resistors for temperature compensation and offset correction.

For additional Model 85 products designed for vacuum gage applications, Compensated and Uncompensated datasheets are available

[CLICK HERE >](#)
CONNECT WITH A SPECIALIST

Specifications

Unless otherwise specified, Supply Voltage: 10 V_{DC}; Ambient Temperature: 25°C

PARAMETERS	MIN	TYP	MAX	UNITS	NOTES
Span	99	100	101	mV	1
Zero Pressure Output	-1.0	0	1.0	mV	2
Pressure Non-Linearity	-0.10		0.10	%Span	3
Pressure Hysteresis	-0.05	±0.02	0.05	%Span	
Repeatability		±0.02		%Span	
Input Resistance	5.5	9	12.5	kΩ	
Output Resistance	4.0		6.0	kΩ	
Temperature Error – Span	-1.0		1.0	%Span	4
Temperature Error – Offset	-1.0		1.0	%Span	4,5
Thermal Hysteresis – Span	-0.25	±0.05	0.25	%Span	4
Thermal Hysteresis – Offset	-0.25	±0.05	0.25	%Span	4
Long Term Stability – Span		±0.10		%Span/year	
Long Term Stability – Offset		±0.10		%Span/year	
Supply Voltage		10	14	VDC	6
Output Load Resistance	5			MΩ	
Insulation Resistance (50Vdc)	50			MΩ	7
Output Noise (10Hz to 1KHz)		1.0		μV p-p	
Response Time (10% to 90%)			0.1	ms	
Pressure Overload			3X	Rated	8
Pressure Burst			4X	Rated	9
Compensated Temperature	-20		+85	°C	
Operating Temperature	-40		+125	°C	10
Storage Temperature	-50		+125	°C	10
Media – Pressure Port	Liquids and Gases compatible with 316/316L Stainless Steel				

Notes

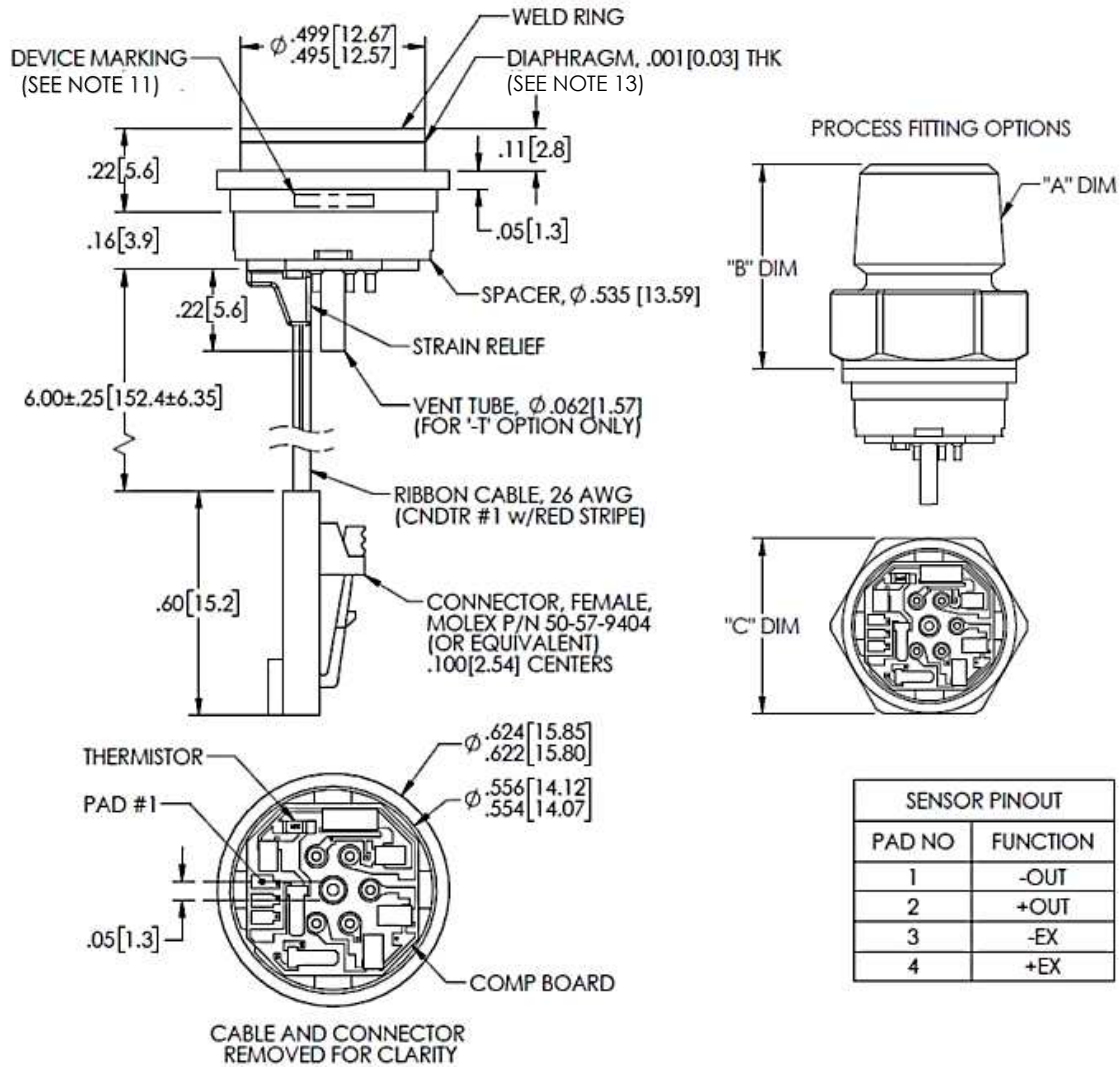
- Measured at Ambient Pressure.
- Best fit straight line.
- Over the compensated temperature range with respect to 25°C.
- 15psi range sensors have an Offset Temperature Error of ±1.5% (max).
- Guarantees output/input ratiometricity.
- Load resistance to reduce measurement errors due to output loading.
- Between case and sensing element.
- The maximum pressure that can be applied without changing the transducer's performance or accuracy.
- The maximum pressure that can be applied to a transducer without rupture of either the sensing element or transducer.
- Maximum temperature range for product with standard cable and connector is -20°C to +105°C.
- Device Marking:
Each part is identified with Model Number, Pressure Range, Type, Lot Number, Serial Number and Date Code.
- Shipping/Packaging:
The Steel diaphragm is protected by a plastic cap (no fitting options). Each unit is packaged individually in a plastic vial with anti-static foam.
- Direct mechanical contact with diaphragm is prohibited. Diaphragm surface must remain free of defects (scratches, punctures, dents, fingerprints, etc.) for device to operate properly. Caution is advised when handling parts with exposed diaphragms. Use protective cap whenever devices are not in use.

Dimensions

85VCV

Vacuum Constant Voltage

Dimensions are in inches[mm]



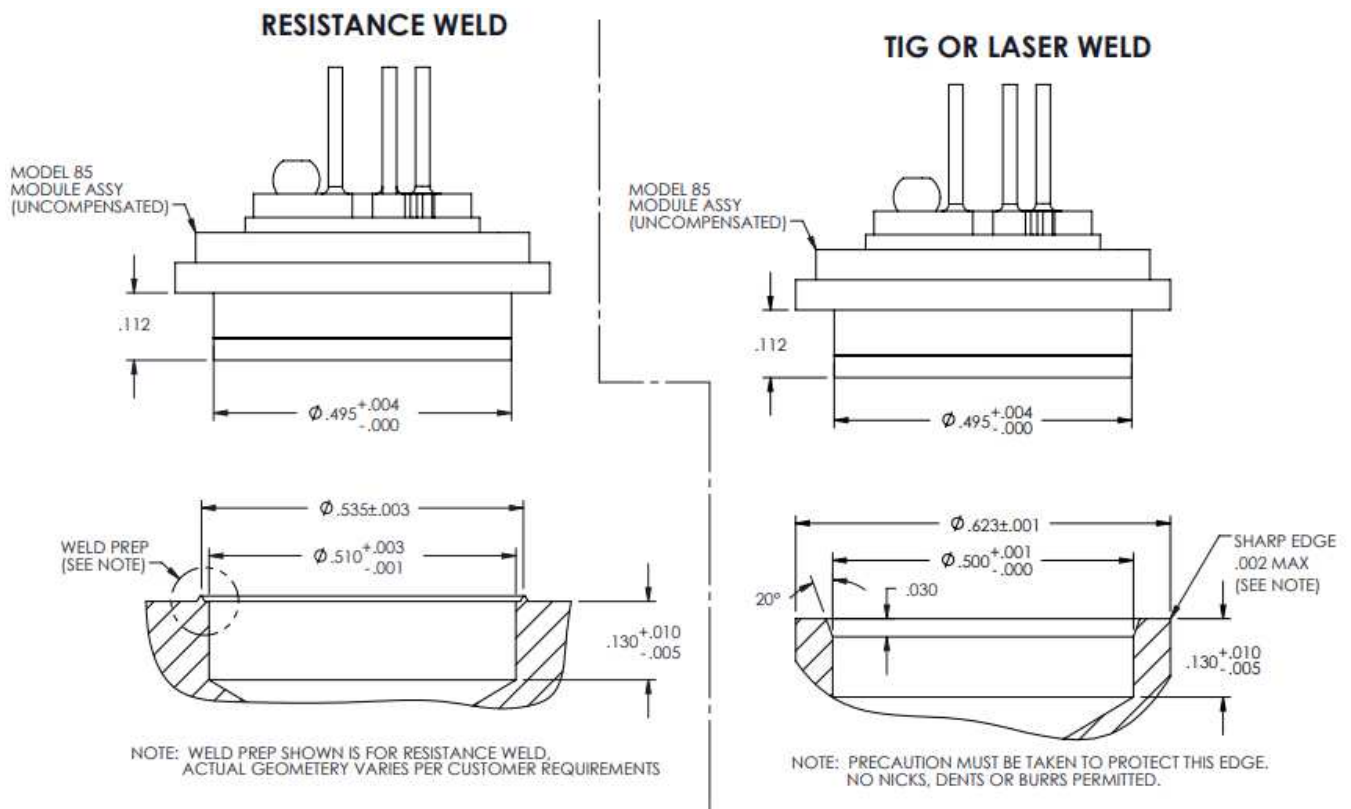
SENSOR PINOUT	
PAD NO	FUNCTION
1	-OUT
2	+OUT
3	-EX
4	+EX

PROCESS FITTING DIMENSIONS				
FITTING TYPE	MEAS PART NO.	"A" DIM	"B" DIM	"C" DIM
1	IC-7050	1/4-18 NPT	.99 [25.1]	7/8 [22.2] HEX
2	IC-7049	1/8-27 NPT	.96 [24.4]	7/8 [22.2] HEX
3	IC-7048	7/16-20 UNF	.81 [20.6]	7/8 [22.2] HEX
4	IC-6754	1/4-18 NPT	.73 [18.5]	5/8 [15.9] HEX
5	IC-5010	1/4-19 BSP	.76 [19.3]	3/4 [19.0] HEX
8	IC-6800	1/8-27 NPT	.60 [15.2]	5/8 [15.9] HEX
9	IC-7124	1/4-19 BSP	.94 [23.9]	7/8 [22.2] HEX
NOTE: FITTING TYPE '4' ASSEMBLY SHOWN ALL DIMS ARE FOR REFERENCE				

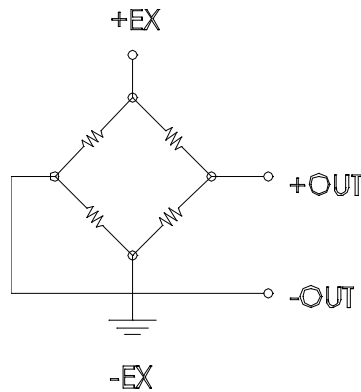
85VCV

Vacuum Constant Voltage

Recommended mounting dimensions



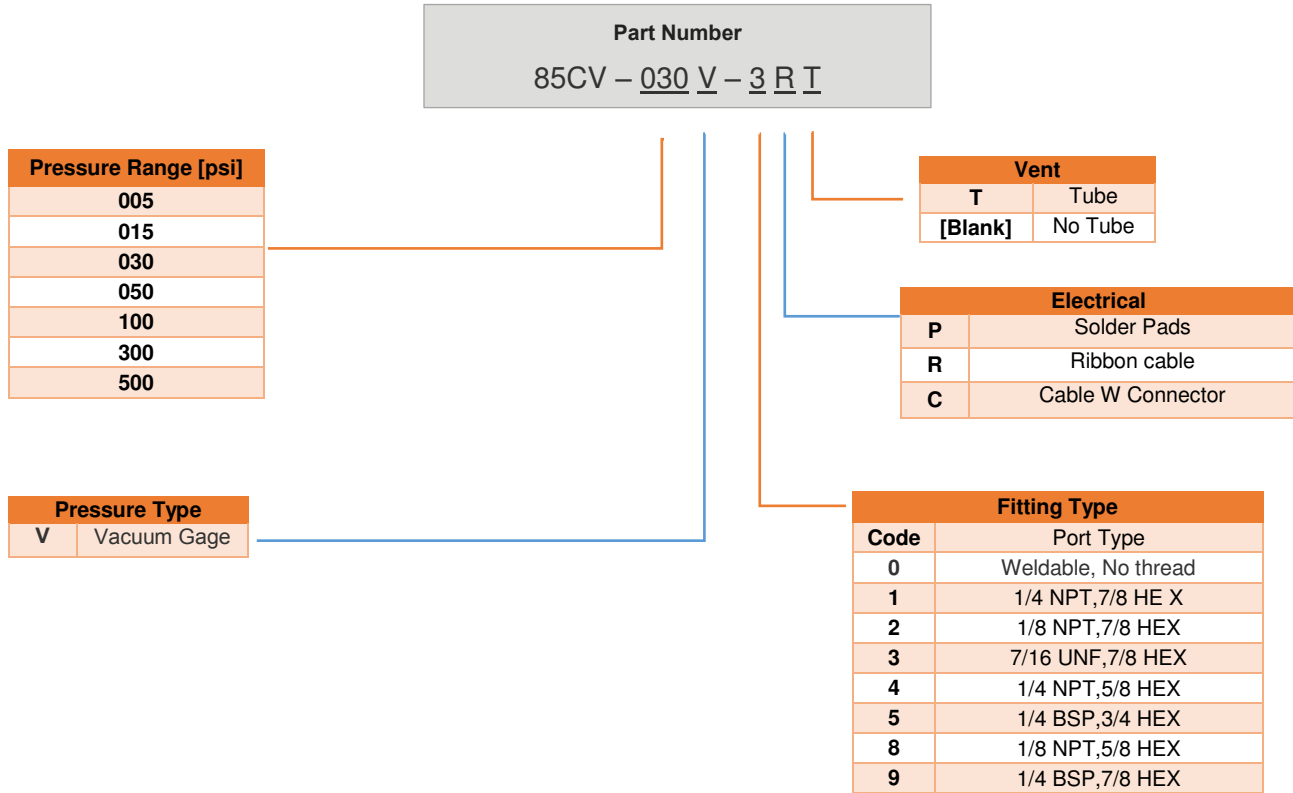
Application schematic



85VCV

Vacuum Constant Voltage

Ordering information



Refer to Fitting Table for more information

CLICK HERE ›
CONNECT WITH A SPECIALIST

NORTH AMERICA
Tel +1 800 522 6752

EUROPE
Tel +31 73 624 6999

ASIA
Tel +86 0400 820 6015

te.com/sensors

TE Connectivity, TE, TE Connectivity (logo) and Every Connection Counts are trademarks. All other logos, products and/or company names referred to herein might be trademarks of their respective owners

The information given herein, including drawings, illustrations and schematics which are intended for illustration purposes only, is believed to be reliable. However, TE Connectivity makes no warranties as to its accuracy or completeness and disclaims any liability in connection with its use. TE Connectivity's obligations shall only be as set forth in TE Connectivity's Standard Terms and Conditions of Sale for this product and in no case will TE Connectivity be liable for any incidental, indirect or consequential damages arising out of the sale, resale, use or misuse of the product. Users of TE Connectivity products should make their own evaluation to determine the suitability of each such product for the specific application.

© 2021 TE Connectivity Corporation. All Rights Reserved.

Version A7 02/2021

