

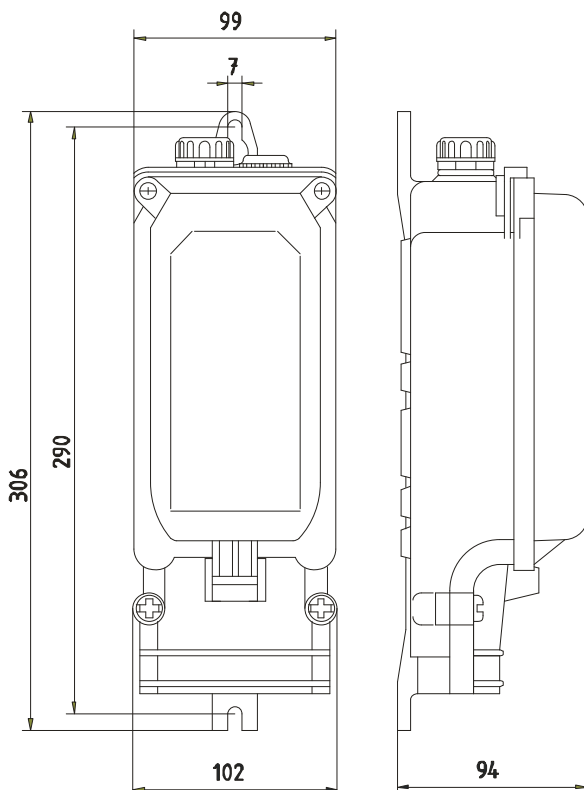
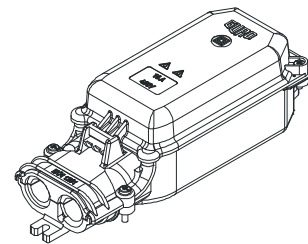
EKM-1281-2D2-5x25-2PG-C2
Art.-Nr.: 861604-000 (JOR-95655)



Fuse box for lighting application EKM 1281

for installation in lighting columns and outdoor application

- protection class II
- ingress protection IP 54
- minimum diameter 120 mm
- door opening minimum 100 x 300 mm
- l x w x h: 306 x 100 x 94 mm
- grey cover with screw
- protection cover
- 1 5-pin mantle terminal block B 6665 for:
1 cable 5 x 25 mm² or 2 cables 5 x 16-25 mm²
- 2 fuse bases 25 A / DII-E 27
- cable entry: cable clamp for 1 cable to 2 cables \varnothing 22 - 30 mm
- output: 1 compression gland PG 13,5, 1 self-sealing grommet
cable \varnothing 7-14 mm



Cable entry

