

966466-1 ✓ ACTIVE

TE Internal #: 966466-1
Housing for Female Terminals, Wire-to-Wire, 2 Position, 8 mm [.315 in] Centerline, Black, Wire & Cable, Power, Cable Mount (Free-Hanging)

[View on TE.com >](#)



Connectors > Automotive Connectors > Automotive Housings > Circular DIN Housings



Connector System: **Wire-to-Wire**
Number of Positions: **2**
Connector & Housing Type: **Housing for Female Terminals**
Centerline (Pitch): **8 mm [.315 in]**
Sealable: **No**

[All Circular DIN Housings \(59\)](#)

Features

Product Type Features

| | |
|-----------------------------------|------------------------------|
| Mixed & Hybrid Connector | No |
| Connector Shape | Circular |
| Connector System | Wire-to-Wire |
| Connector & Housing Type | Housing for Female Terminals |
| Sealable | No |
| Connector & Contact Terminates To | Wire & Cable |
| Primary Locking Feature | Integrated in Housing |

Configuration Features

| | |
|---------------------|---|
| Number of Positions | 2 |
| Number of Rows | 1 |

Body Features

| | |
|-----------------------|-------|
| Cable Exit Angle | 180° |
| Primary Product Color | Black |



Contact Features

| | |
|---------------------|----------------|
| Contact Size | 4mm |
| Contact Type | Socket |
| Mating Pin Diameter | 4 mm [.157 in] |

Mechanical Attachment

| | |
|-----------------------------|----------------------------|
| Terminal Position Assurance | No |
| Strain Relief | Without |
| Mating Alignment Type | Guide Pin |
| Mating Alignment | With |
| Connector Mounting Type | Cable Mount (Free-Hanging) |

Housing Features

| | |
|--------------------|----------------|
| Housing Material | PBT |
| Centerline (Pitch) | 8 mm [.315 in] |

Dimensions

| | |
|------------------|-------------------|
| Connector Height | 33 mm [1.29 in] |
| Product Width | 25.7 mm [1.01 in] |
| Product Length | 25.7 mm [1.01 in] |

Operation/Application

| | |
|---------------------|-------|
| Circuit Application | Power |
|---------------------|-------|

Industry Standards

| | |
|------------------------|---------|
| UL Flammability Rating | UL 94HB |
|------------------------|---------|

Packaging Features

| | |
|--------------------|--------|
| Packaging Quantity | 800 |
| Packaging Method | Carton |

Other

| | |
|--------------------------------------|-----|
| Serviceable | Yes |
| Connector Position Assurance Capable | No |

Product Compliance

[For compliance documentation, visit the product page on TE.com>](#)

| | |
|------------------------------|-----------|
| EU RoHS Directive 2011/65/EU | Compliant |
| EU ELV Directive 2000/53/EC | Compliant |

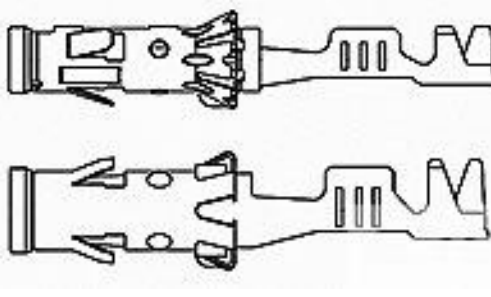


| | |
|---|--|
| China RoHS 2 Directive MIIT Order No 32, 2016 | No Restricted Materials Above Threshold |
| EU REACH Regulation (EC) No. 1907/2006 | Current ECHA Candidate List: JUNE 2024 (241) Candidate List Declared Against: JUL 2021 (219) Does not contain REACH SVHC |
| Halogen Content | Low Halogen - Br, Cl, F, I < 900 ppm per homogenous material. Also BFR/CFR/PVC Free |
| Solder Process Capability | Not applicable for solder process capability |


Product Compliance Disclaimer

This information is provided based on reasonable inquiry of our suppliers and represents our current actual knowledge based on the information they provided. This information is subject to change. The part numbers that TE has identified as EU RoHS compliant have a maximum concentration of 0.1% by weight in homogenous materials for lead, hexavalent chromium, mercury, PBB, PBDE, DBP, BBP, DEHP, DIBP, and 0.01% for cadmium, or qualify for an exemption to these limits as defined in the Annexes of Directive 2011/65/EU (RoHS2). Finished electrical and electronic equipment products will be CE marked as required by Directive 2011/65/EU. Components may not be CE marked. Additionally, the part numbers that TE has identified as EU ELV compliant have a maximum concentration of 0.1% by weight in homogenous materials for lead, hexavalent chromium, and mercury, and 0.01% for cadmium, or qualify for an exemption to these limits as defined in the Annexes of Directive 2000/53/EC (ELV). Regarding the REACH Regulation, the information TE provides on SVHC in articles for this part number is based on the latest European Chemicals Agency (ECHA) 'Guidance on requirements for substances in articles' posted at this URL: <https://echa.europa.eu/guidance-documents/guidance-on-reach>

Compatible Parts



TE Part # 962952-1
4MM SOCKET CONTACT



TE Part # 966467-1
ENTLEFTUNGSSCHEIBE

Customers Also Bought



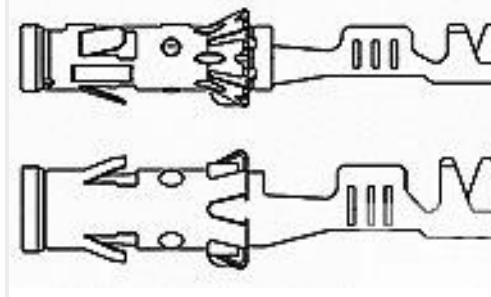
TE Part #926887-1
UNIV.M-N-L.PIN



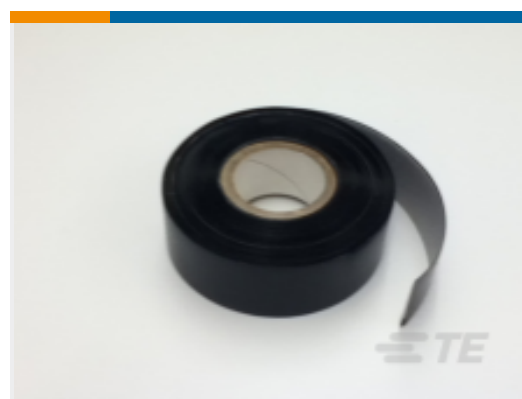
TE Part #2176244-1
CRGS0805 5% 1R0



TE Part #5070064029
RNF-100-1/4-X-SP



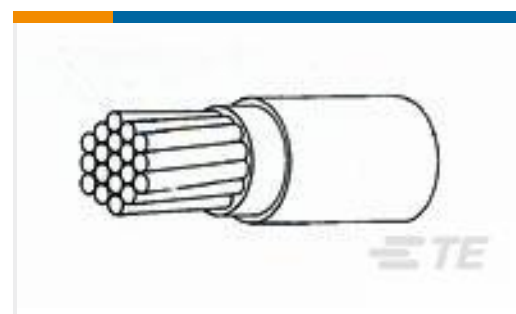
TE Part #962952-2
4MM BUCHS-KONTAKT



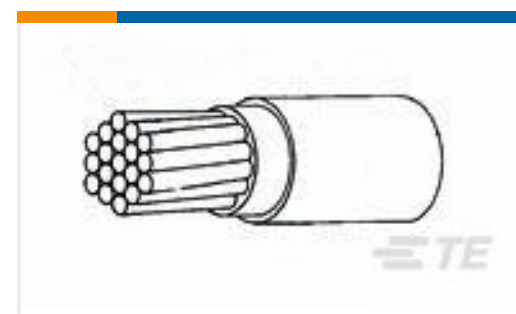
TE Part #890901-006
S1030



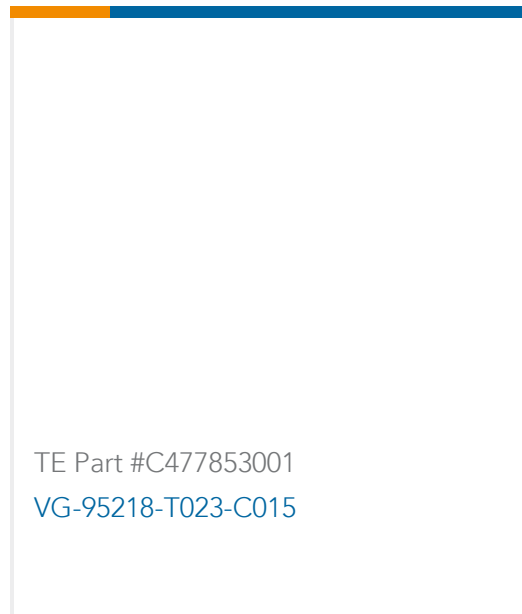
TE Part #7219893001
VG-95218-T023-F010



TE Part #6014873001
VG-95218-T020-A006



TE Part #9931953001
VG-95218-T020-A003



TE Part #C477853001
VG-95218-T023-C015



TE Part #6752153001
VG-95218-T023-F013

Documents

Product Drawings

4MM BU-GEH 2P KPL

English

CAD Files

3D PDF

3D

Customer View Model

[ENG_CVM_CVM_966466-1_B.2d_dxf.zip](#)

English

Customer View Model

[ENG_CVM_CVM_966466-1_B.3d_igs.zip](#)

English

Customer View Model

[ENG_CVM_CVM_966466-1_B.3d_stp.zip](#)

English

By downloading the CAD file I accept and agree to the [Terms and Conditions](#) of use.