

**EKM-2050-1D1/1D02-5S-E1**  
**Art.-Nr.: CG5320-000 (JOR-88846)**

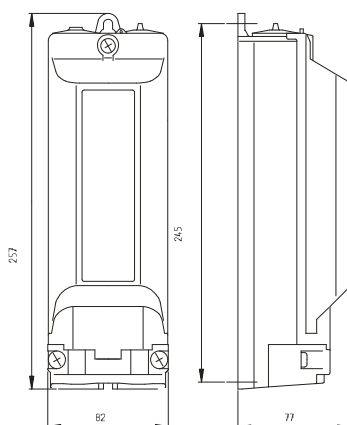
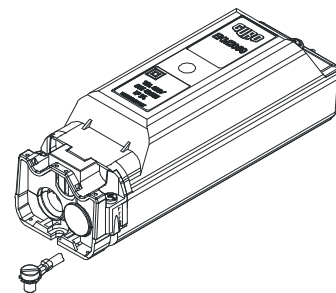
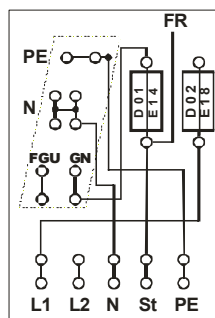
**Fuse box for lighting application EKM 2050**

**according to DIN 43628 / VDE 0660 T. 505**

explanation SK (for installation in lighting columns)

- protection class II
  - ingress protection IP 54
  - minimum diameter 98 mm
  - door opening minimum 85 x 270 mm
  - l x w x h: 257 x 82 x 77 mm
  - transparent cover with snap lock
  - protection cover
  - 5 sliding terminal rail connection (brass rails, nickel-plated)
  - fully insulated PE- and N- output terminals
  - entry terminals for 2 cables to 4 x 25 mm<sup>2</sup> or 3 cables to 5 x 16 mm<sup>2</sup>
  - type of mains: L1, L2, N, ST, PE
  - cable break out area (60 mm)
  - 1 mounting rail TS 35 for application of installation devices
  - 1 fuse bases 16 A / D01- E 14
  - 1 screw cap E 14
  - 1 fuse bases 35 A / D02- E 18
  - 1 screw caps E 18
  - 2 modular blocks (2- steps fully insulated with PE- terminal)
  - pre- mounting earthing cable, 10 mm<sup>2</sup>, green / yellow, 400 mm long, with captive screw M 8 x 12
  - 2 pole clamping screws M 6 x 12
  - cable entry: cable clamp for 1 cable to 3 cable Ø 19-22 mm
  - output: 2 cable glands, cable Ø 8-14 mm
- Two additional luminaire cables can be routed towards the bottom of the box.

circuit diagram:



Cable entry

