

**EKM-2050-5S-FILS-2RK-E1**  
**Art.-Nr.: CG9380-000 (JOR-88838)**

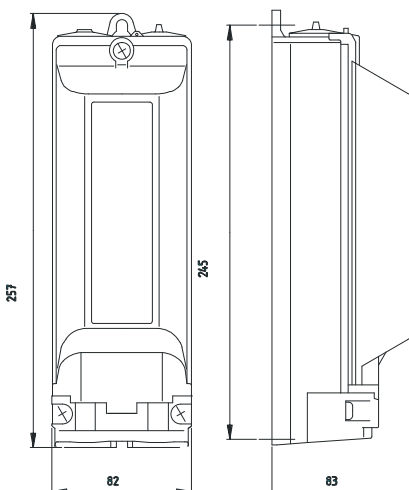
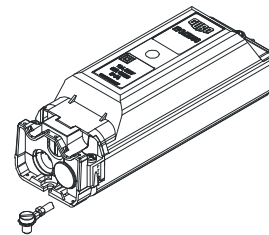
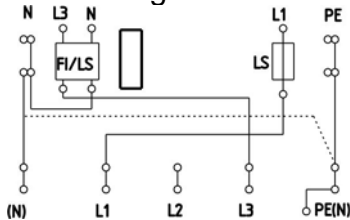
**Fuse box for lighting application EKM 2050 according to DIN 43628**

explanation SK (for installation in lighting columns)

- protection class II
- ingress protection IP 54
- minimum diameter 102 mm
- door opening minimum 85 x 270 mm
- l x w x h: 257 x 82 x 83 mm
- transparent cover with screw
- protection cover
- complete pre-wiring
- 5 sliding terminals
  - rail connection (brass rails, nickel-plated)
  - fully insulated PE- and N- output terminals
  - entry terminals for 2 cables to 4 x 25 mm<sup>2</sup> or 3 cables to 5 x 16 mm<sup>2</sup>
- type of mains: L1, L2, <L3>, N, PE(N), for all net configuration
- 1 mounting rail TS 35 for application of installation devices
- 1 combined Fault-current- (30 mA) / Circuit breaker 16 A, C- Characteristics
- 1 circuit breaker 6 A, B- Characteristics
- 2 modular terminal blocks
- Complete pre-wiring
  - pre- mounting earthing cable, 10 mm<sup>2</sup>, green / yellow, 400 mm long, with captive screw M 8 x 12
  - 2 pole clamping screw M 6 x 12
  - cable entry: cable clamp for 1 cable to 3 cables  $\varnothing$  19-22 mm
  - output: 2 cable glands, cable  $\varnothing$  8-14 mm

Two additional luminaire cables can be routed towards the bottom of the box.

**Circuit diagram:**



**Cable entry**

