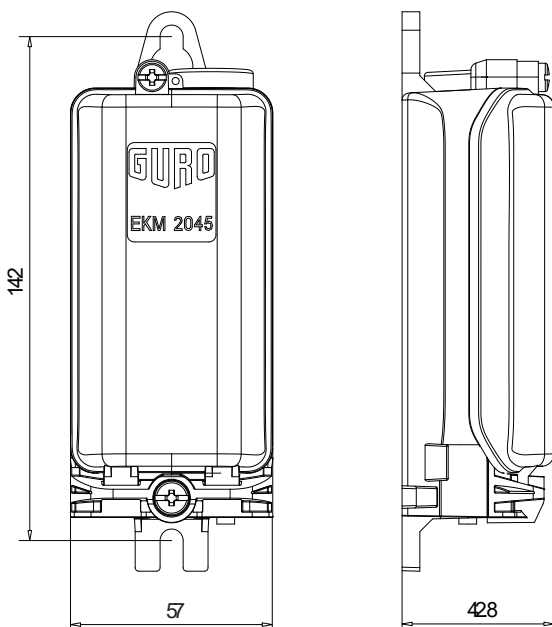
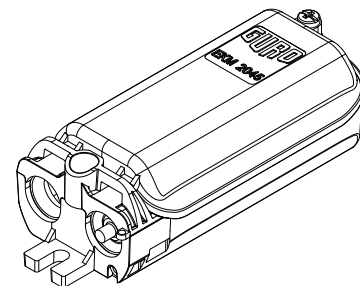


**EKM-2045-1D1-6-SR**  
**Art.-Nr.: CM4163-000 (JOR-93879)**

**Fuse box for lighting application EKM 2045**  
**according to DIN 43628 / VDE 0660 T. 505 – with VDE- Symbol**  
**explanation SK (for installation in lighting columns)**

- protection class II
- ingress protection IP 55
- minimum diameter 59 mm
- door opening minimum 58 x 150 mm
- l x w x h: 158 x 57 x 43 mm
- grey cover with screw
- protection cover
- 1 fuse holder 16 A
- 1 fuse 6 A / E 14
- 5 box terminals
  - rail connection (brass rails, nickel-plated)
  - fully insulated PE- and N- output terminals
- 2 pole clamping screws M 6 x 12
- cable entry: cable clamp for 1 cable to 2 cables 3 x 1,5 - 3 x 4 mm<sup>2</sup>
  - 4 x 1,5 – 2,5 (-4)\* mm<sup>2</sup>
  - 5 x 1,5 – 2,5 (-4)\* mm<sup>2</sup>
- \* if cable diameter ≤ 17 mm
- output: 1 cable insertion grommet, cable Ø 7-10 mm



Cable entry

