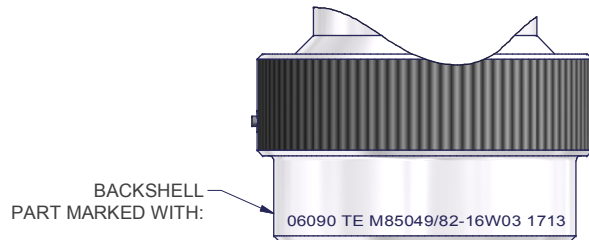


LASER PART MARK DETAIL FOR AS85049 BACKSHELL

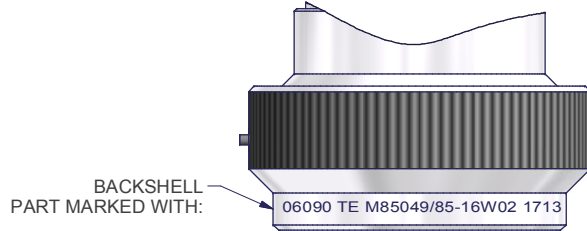
IF IN DOUBT ASK!!!

ACCEPTABLE LOCATIONS AND EXAMPLES:

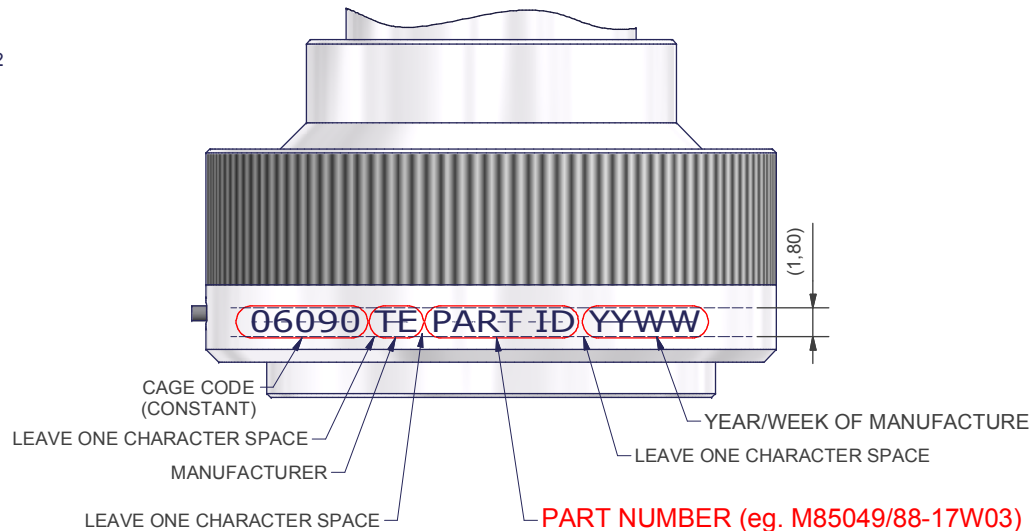
ORDERED PART NUMBER: M85049/82-16W03



ORDERED PART NUMBER: M85049/85-16W02



STANDARD FONT PARAMETERS:
 FONT TYPE: VERDANA
 STANDARD TEXT HEIGHT - 1,8MM
 USE 1,4MM ONLY IF NECESSARY
 WIDTH / HEIGHT RATIO - 0,5
 CHARACTER SPACING - 0,5



NOTE:
 PARTS SHALL ALWAYS BE PART MARKED WITH THE PREFIX **M** (eg. **M85049/82-24W03**) REGARDLESS IF THEY ARE ORDERED AS R85049 OR M89049

| | | | | |
|---|--|---|--|---|
| MATERIAL/FINISH SEE ROUTE CARD FOR MATERIAL FINISH ALLOWANCE PER SURFACE ALUM ALLOY 0.025 ST STEEL 0.00 ALUM BRONZE 0.00 DIMENSIONS APPLY AFTER PLATING | 3RD ANGLE PROJECTION NOT TO SCALE | POLAMCO LTD WESTON LOCK LOWER BRISTOL ROAD BATH BA2 1EP | PART NO DM0107 | |
| | REMOVE ALL SHARP EDGES AND BURRS UNLESS OTHERWISE SPECIFIED ALL DIMENSIONS IN MILLIMETRES GENERAL TOL LINEAR +/- 0.1MM ANGULAR +/- 1° | TITLE LASER PART MARK DETAIL FOR AS85049 BACKSHELL | DRAWN K.KUTA-WINCZURA 30/03/2017 | DESIGN APPR K.SHEPPARD 30/03/2017 |
| THIS DRAWING IS COPYRIGHT AND THE PROPERTY OF POLAMCO LTD IT MUST NOT BE COPIED, USED FOR MANUFACTURE OR OTHERWISE DISCLOSED WITHOUT PRIOR WRITTEN CONSENT OF THE COMPANY. | | PROD APPR S.BENNETT 31/03/2017 | QUAL APPR P.REES 31/03/2017 | |
| | ISS 1 | REV 1 | DCR 1 | DRG NO DM0107 |