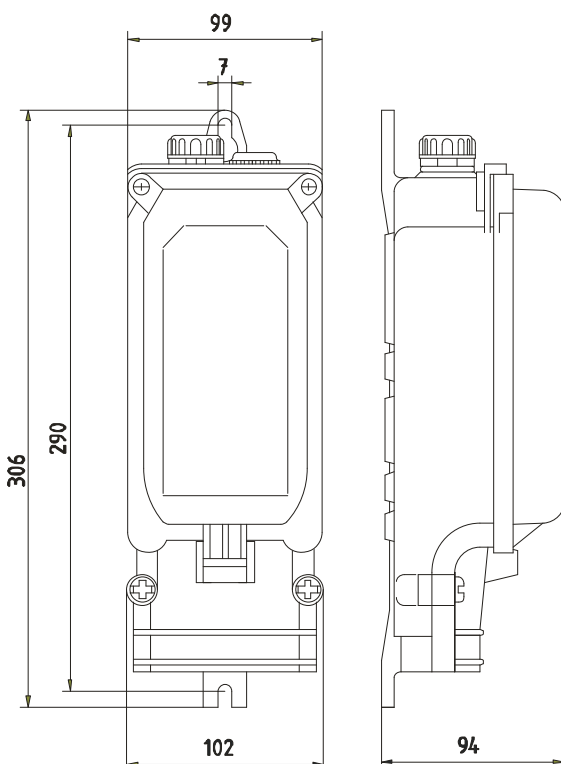
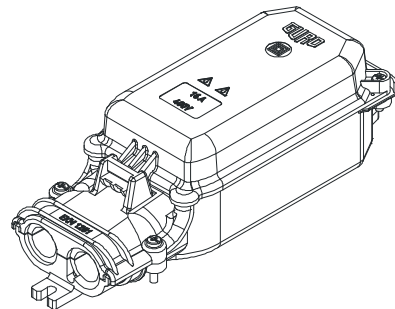


**EKM-1281-3D02-PCT-2PG-C2**  
**Art.-Nr.: E76079-000 (JOR-94977)**

**Fuse box for lighting application EKM 1281**

for installation in lighting columns and outdoor application

- protection class II
- ingress protection IP 54
- minimum diameter 120 mm
- door opening minimum 100 x 300 mm
- l x w x h: 306 x 100 x 94 mm
- grey cover with screw
- protection cover
- 2 mounting rails TS 35 for application of installation devices
- 3 fuse bases 63 A / D02-E 18
- 3 screw caps E 18
- 1 protective conductor terminal 7-pin
- cable entry: cable clamp for 1 cable to 2 cables  $\varnothing$  22 - 30 mm
- output: 1 compression gland PG 13,5; 1 self-sealing grommet; cable  $\varnothing$  7-14 mm



Cable entry

