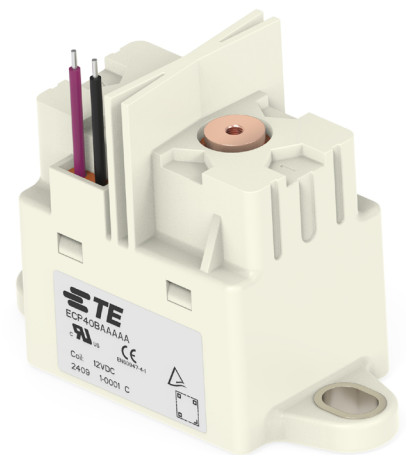


HIGH VOLTAGE DC CONTACTORS ECP40B SERIES

FOR 40 AMP

INTRODUCTION

TE Connectivity (TE)'s ECP40B series high-voltage DC contractor is designed for control in high voltage environments like battery energy storage system, solar inverters, and EV charging applications. ECP40B series is designed and suited for pre-charge applications. It can be used in 1500 VDC voltage systems, and the enhanced insulation distance meets the requirement of UL60947-4-1 and IEC60947-4-1 standards. The contacts provided in this series allows bi-directional load and are hermetically sealed with ceramic sealing technology, making it safer and more reliable.



FEATURES

- 40 A making capability
- Breaking capability at 1500 VDC
- Allow bi-directional load
- Hermetically sealed with ceramic

APPLICATIONS

- Battery energy storage systems
- Photovoltaic inverters
- DC converter

APPROVALS

- UL:E82292
- TUV:R50630715
- CE: 724-00008



Note: Technical data of approved types on request

High Voltage DC Contactors ECP40B Series

MAIN CONTACT DATA

Contact current	40 A
Maximum breaking voltage	1500 VDC
Contact arrangement	1 Form X (SPST-NO-DM)
Initial voltage drop	≤ 160 mV @ 20 A, 6 VDC
Operate time maximum (at 23 °C)	30 ms
Release time, maximum (at 23 °C)	10 ms
Mechanical life	200,000 cycles

CONTACT RATINGS

Load	Cycles
10 A, 1500 VDC, make/break, resistive, 65 °C	10,000
15 A, 1500 VDC, make/break, resistive, 40 °C	6,000
40 A, 1500 VDC, make only, resistive, 40 °C	10,000
10 A, 450 VDC, DC-1, 40 °C	6,050

Coil versions, DC coil

Coil code	Nominal voltage	Operate voltage	Release voltage	Maximum operate voltage	Coil power
A	12 VDC	≤ 9 VDC	≥ 1 VDC	16 VDC	3 W
B	24 VDC	≤ 18 VDC	≥ 2 VDC	32 VDC	3 W

All figures are given for coil without pre-energization, at ambient temperature +23 °C.

INSULATION DATA

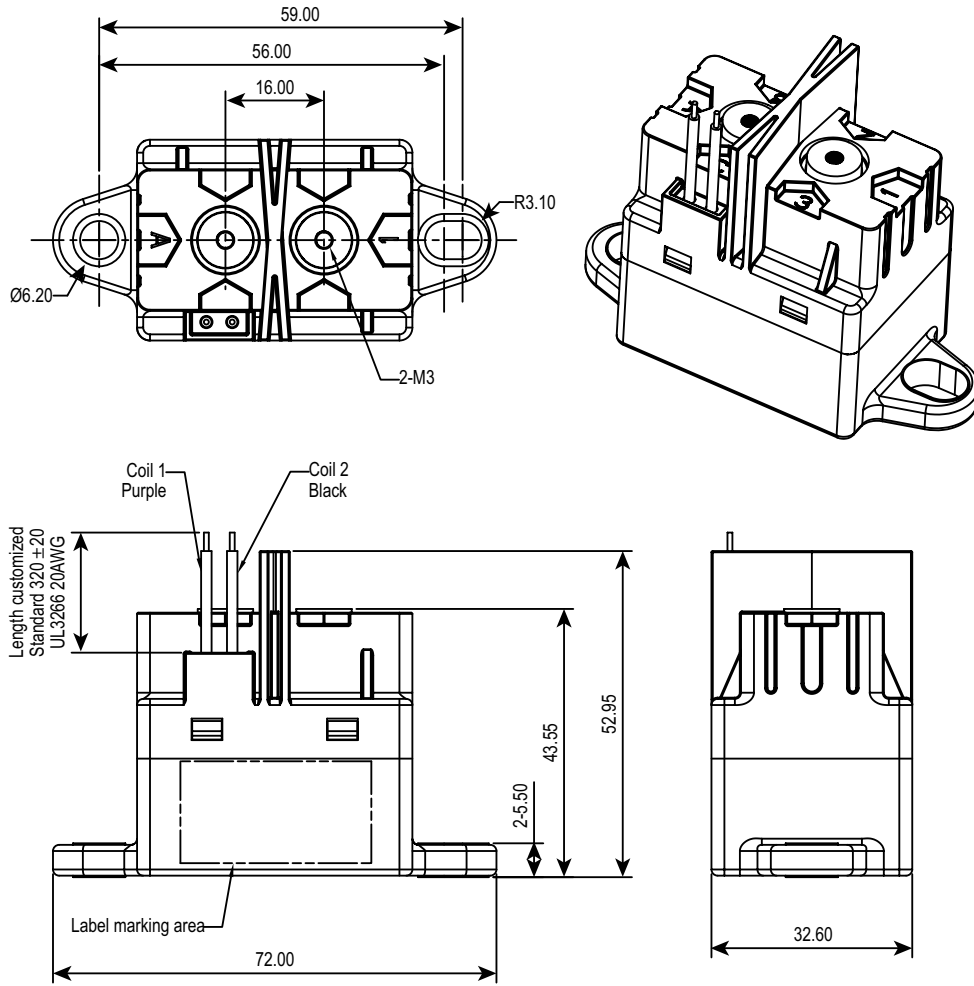
Dielectric Withstand Voltage (leakage current <1 mA)	
between open main contacts	5,400 Vrms
between main contact and coil	5,400 Vrms
Initial Insulation Resistance @ 1000 VDC	
between insulated elements	$>1 \times 10^9 \Omega$

OTHER DATA

Material compliance	EU RoHS/ELV, China RoHS, REACH, Halogen content refer to the product compliance support center at www.te.com/customer-support/rohssupportcenter
Ambient temperature	-40 °C to 85 °C
Vibration resistance (functional)	Sine, 10 Hz - 2000 Hz, 5 G
Shock resistance (functional)	11ms 1/2 Sine, Peak 20 G (on), 10 G (off)
Terminal type	Screw terminals
Weight	-160 g

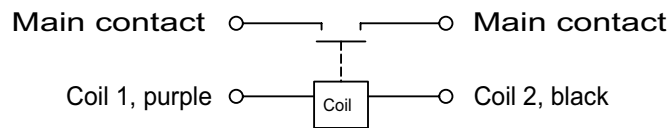
High Voltage DC Contactors ECP40B Series

DIMENSIONS (Unit: mm)



General tolerance	
Dimension	Tolerance
<10	±0.30
10~50	±0.60
>50	±1.00

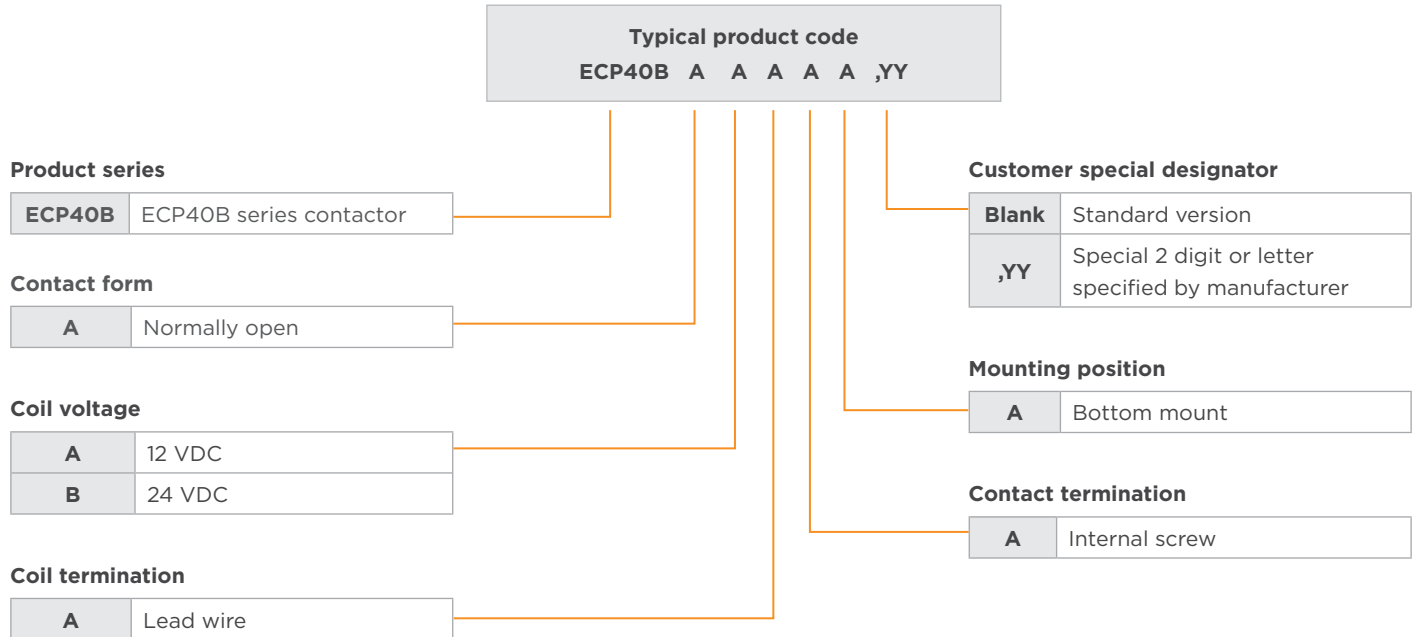
CIRCUIT DIAGRAM



PRODUCT INFORMATION

Product code	Contact form	Mounting position	Coil	Coil control mode	Part number
ECP40BAAAAA	Normally open (N.O.), without auxiliary contact	Bottom	12 VDC	Single coil	2071591-1
ECP40BABAAA			24 VDC		2071591-2

ORDERING INFORMATION



CAUTIONS

- Do not use the contactor when contactor is dropped or broken.
- Avoid mounting the contactor with the main contact screw terminals in downward direction, otherwise the contactor performance will not be guaranteed.
- If using with diodes for coil, it may lead to a decline in product switching performance.
- Screw locking torque of main contact terminals should be 1 N·m - 2 N·m for M3 screw. Screw locking torque of product bottom mounting should be 3 N·m - 4 N·m for M5 screw.
- Suitable for applications under Uimp 6 kV.

te.com

©2024 TE Connectivity Ltd. Family of Companies. All Rights Reserved.

TE Connectivity, TE connectivity (logo) and Every Connection Counts are trademarks owned or licensed by the TE Connectivity family of companies. All other logos, products and/or company names referred to herein might be trademarks of their respective owners.

While TE has made every reasonable effort to ensure the accuracy of the information in this document, TE does not guarantee that it is error-free, nor does TE make any other representation, warranty or guarantee that the information is accurate, correct, reliable or current. TE reserves the right to make any changes to the information contained herein without prior notice. TE Connectivity assumes only those obligations set forth in the terms and conditions for this product and shall in no event be liable for any incidental, indirect, or consequential damages arising out of the sale, resale, use, or misapplication of the product. TE expressly disclaims any implied warranties with respect to the information contained herein, including, but not limited to, implied warranties of merchantability or fitness for a particular purpose. Dimensions, specifications and/or information contained herein are for reference purposes only and are subject to change without notice. Consult TE for the latest dimensions, specifications and/or information. Users of TE Connectivity products must make their own assessment as to whether the respective product is suitable for the respective desired application.

04/24 ED