



Low voltage link (wedge type)

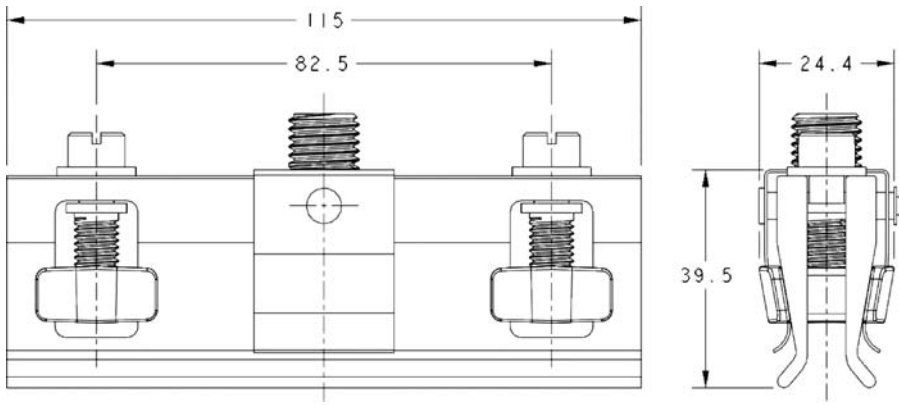
Low voltage links are mechanical electro-tinned copper accessories used in link boxes, minipillars and low voltage cut-outs. They are used to connect/isolate adjacent lengths of low voltage mains cable. Wedge link connectors are suitable for all low voltage applications requiring a link with 82.5mm centres.

Features

- Suitable for both 1/4" BSW and 1/2" BSF application tools
- Electro-tinned copper body

Standard

- Tested to BS EN 61238-1 : 2003



| Reference | PN | TCPN | Description |
|-----------|---------------|------------|-------------------|
| WL82.5 | BAH-028030080 | D32350-000 | 82.5mm wedge link |

While TE Connectivity (TE) has made every reasonable effort to ensure the accuracy of the information in this catalog, TE does not guarantee that it is error-free, nor does TE make any other representation, warranty or guarantee that the information is accurate, correct, reliable or current. TE reserves the right to make any adjustments to the information contained herein at any time without notice. TE expressly disclaims all implied warranties regarding the information contained herein, including, but not limited to, any implied warranties of merchantability or fitness for a particular purpose. The dimensions in this catalog are for reference purposes only and are subject to change without notice. Specifications are subject to change without notice. Consult TE for the latest dimensions and design specifications. TE Connectivity and TE connectivity (logo) are trademarks.

© 2012 Tyco Electronics UK Ltd

TE Energy - innovative and economical solutions for the electrical power industry: cable accessories, connectors & fittings, insulators & insulation, surge arresters, switching equipment, street lighting, power measurement and control.

Tyco Electronics UK Ltd
 a TE Connectivity company
 Freebournes Road
 Witham, Essex CM8 3AH

Phone: +44 (0)870 870 7500
 Fax: +44 (0)870 240 5289
 Email: ukutilities@tycoelectronics.com

energy.te.com

DATA SHEET
 Number: EPP-1724
 Date: 01/12/2012
 Revision: B

