



## MINIATURE SPLIT CORE CURRENT TRANSFORMERS

### TE'S CROMPTON INSTRUMENTS

#### FEATURES

- Cost effective moulded case
- Ratio's ranging from 60/1 to 500/5
- Fast cable clamp connection
- Multiple fixing options
- Safety plug in shorting link

#### BENEFITS

- Faster installation
- Compact size profile applications

A range of miniature split core current transformers that offers a cost effective and efficient method by which the current can be measured without the need to break the conductor, each current transformer is supplied with colour coded leads of up to 3 meters for connection to the monitoring device. The MSC range of current transformers offers primary currents between 60-500 A with 1 or 5 A secondaries with class 1 accuracy performance. (Class 3 for 60-80 A range).

SPECIFICATIONS	
<b>System voltage:</b>	720 V maximum
<b>Test voltage:</b>	3 kV for 1 minute
<b>System frequency:</b>	50 Hz or 60 Hz
<b>Primary ratings:</b>	60 A to 500 A
<b>Short circuit thermal current:</b>	60 x rated primary current (Ith): for 1 sec
<b>Overload withstand:</b>	1.2 x rated current continuously
<b>Rated dynamic current:</b>	= 2.55 x Ith
<b>Secondary leads:</b>	1A, (length 3 m), 5 A (length 1 m) 2.5 mm wire
<b>Enclosure:</b>	Flame retardant grade classified UL 94V-0
<b>Aperture holes centres:</b>	18mm up to 250 A, 28 mm from 300 A - 500 A
<b>Operating temperature:</b>	-20°C to +70°C
<b>Accuracy class:</b>	1, 3
<b>Compliant with:</b>	IEC/EN 60044-1

Customers can count on consistent, high quality products, driven by TE's proven innovation and backed by our extraordinary customer support.

## Miniature split core current transformers



### ACCESSORIES

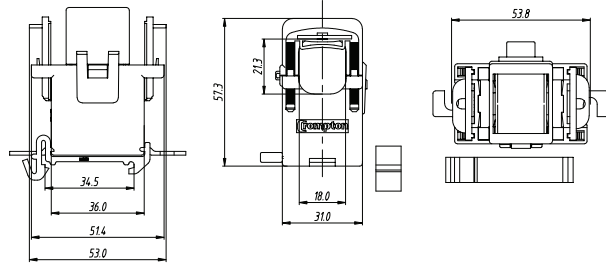


Shorting link for safe installation, (CT will not operate until removed).

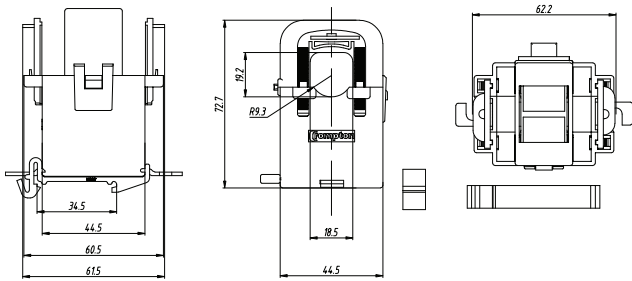


Fixing kit supplied

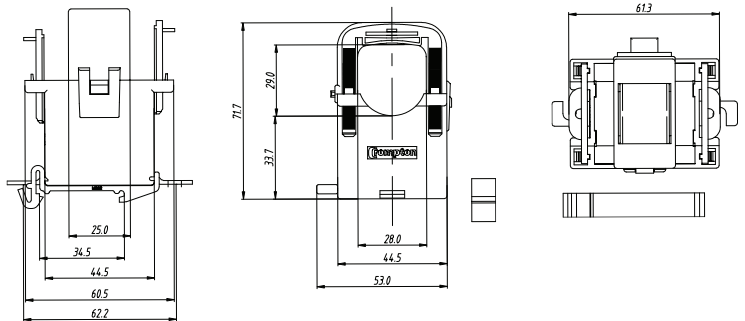
### MSC1



### MSC2



### MSC3



### PRODUCT CODES

Part number	Ratio	Class	Burden VA	Aperture	Lead length	Case	Wire colour	Approx. weight
MSC1-60/1	60/1	3	0.1	18 mm	3 m	Size 1	White S1 and Black S2	57.3, 31, 53, 18
MSC1-75/1	75/1	3	0.1	18 mm	3 m	Size 1	White S1 and Black S2	57.3, 31, 53, 18
MSC1-80/1	80/1	3	0.15	18 mm	3 m	Size 1	White S1 and Black S2	57.3, 31, 53, 18
MSC1-100/1	100/1	1	0.2	18 mm	3 m	Size 1	White S1 and Black S2	57.3, 31, 53, 18
MSC2-100/1	100/1	1	1	18 mm	3 m	Size 2	White S1 and Black S2	72.7, 44.5, 61.5, 18
MSC2-100/5	100/5	1	1	18 mm	1 m	Size 2	White S1 and Black S2	72.7, 44.5, 61.5, 18
MSC2-150/1	150/1	1	1	18 mm	3 m	Size 2	White S1 and Black S2	72.7, 44.5, 61.5, 18
MSC2-150/5	150/5	1	1	18 mm	1 m	Size 2	White S1 and Black S2	72.7, 44.5, 61.5, 18
MSC2-200/1	200/1	1	1	18 mm	3 m	Size 2	White S1 and Black S2	72.7, 44.5, 61.5, 18
MSC2-200/5	200/5	1	1	18 mm	1 m	Size 2	White S1 and Black S2	72.7, 44.5, 61.5, 18
MSC2-250/1	250/1	1	1	18 mm	3 m	Size 2	White S1 and Black S2	72.7, 44.5, 61.5, 18
MSC2-250/5	250/5	1	1	18 mm	1 m	Size 2	White S1 and Black S2	72.7, 44.5, 61.5, 18
MSC3-300/1	300/1	1	1.5	28 mm	3 m	Size 3	White S1 and Black S2	71.7, 44.5, 62.2, 28
MSC3-300/5	300/5	1	1.5	28 mm	1 m	Size 3	White S1 and Black S2	71.7, 44.5, 62.2, 28
MSC3-400/1	400/1	1	2.5	28 mm	3 m	Size 3	White S1 and Black S2	71.7, 44.5, 62.2, 28
MSC3-400/5	400/5	1	2.5	28 mm	1 m	Size 3	White S1 and Black S2	71.7, 44.5, 62.2, 28
MSC3-500/1	500/1	1	2.5	28 mm	3 m	Size 3	White S1 and Black S2	71.7, 44.5, 62.2, 28
MSC3-500/5	500/5	1	2.5	28 mm	1 m	Size 3	White S1 and Black S2	71.7, 44.5, 62.2, 28

[crompton-instruments.com](http://crompton-instruments.com)

© 2018 TE Connectivity Ltd. family of companies. All Rights Reserved. EPP-2157-12/18

TE Connectivity, the TE connectivity (logo) and Crompton Instruments are trademarks of the TE Connectivity Ltd. family of companies. Other logos, product and Company names mentioned herein may be trademarks of their respective owners. While TE has made every reasonable effort to ensure the accuracy of the information in this brochure, TE does not guarantee that it is error-free, nor does TE make any other representation, warranty or guarantee that the information is accurate, correct, reliable or current. TE reserves the right to make any adjustments to the information contained herein at any time without notice. TE expressly disclaims all implied warranties regarding the information contained herein, including, but not limited to, any implied warranties of merchantability or fitness for a particular purpose. The dimensions in this brochure are for reference purposes only and are subject to change without notice. Specifications are subject to change without notice. Consult TE for the latest dimensions and design specifications.

### FOR MORE INFORMATION: TE Technical Support Centres

USA:	+1 800 327 6996
UK:	+44 1376 509 401
Australia:	+61 1300 656 090
Singapore:	+65 6590 5151
Hong Kong:	+852 2790 9609