

T-BODY ELBOW CONNECTORS

35 KV, 600/900A

KEY FEATURES

- Peroxide cured EPDM rubber ensures low tension set and high dielectric strength
- 100% factory production tested for partial discharge and AC Hipot per IEEE 386
- Fits 35 kV cables up to 1500 kcmil
- Optional capacitive test point provided on elbow
- Aluminum Shear Bolt connectors are dual rated for use on either Aluminum or Copper cables
- A rating up to 900A can be achieved with TE's Aluminum or Copper shear bolt
- Available in 150 kV or 200 kV BIL-rated designs
- RUS approved

TE Connectivity's (TE) Raychem T-Body Elbow Connectors are designed to terminate underground cables to high voltage apparatus such as transformers and switchgear. They are fully shielded and submersible and meet the requirements of IEEE 386. They are interchangeable with other manufacturers' products that conform with this industry standard. Molded semiconducting shield provides ground shield continuity. They are designed for use on extruded XLPE or EPR solid dielectric cable. The conductor range is from 1/0 AWG to 1500 kcmil for aluminum or copper conductors with insulation diameters from 0.930" to 2.145".

TE's T-Body Elbow Connectors are available with a capacitive test point molded into the elbow body which provides a mean of sensing voltage and provides an attachment point for test point fault indicators. Additionally, TE offers a 200 kV BIL-rated 600A and 900A deadbreak connector for renewable energy projects where this rating is specified, exceeding the IEEE 386 standard of 150 kV BIL.

The 900A rating can be achieved by ordering the kit with TE's Aluminum or Copper shear bolt terminals with copper connecting components. These are range taking mechanical connectors that will accommodate a conductor range from #2 compact to 1500 kcmil, Class B. The shear bolt terminal's design incorporates shear bolt heads, which ensures that the correct torque is applied to each bolt and consequently the optimal contact force is generated to minimize connection resistance.

Customers can count on consistent, high quality products, driven by TE's proven innovation and backed by our extraordinary customer support.

T-BODY ELBOW CONNECTORS



TE's Raychem Elbow Connectors meet the requirements of IEEE 386 and IEEE 592

Ordering Formula Example:

The part number for a 200 kV BIL-rated 35 kV Elbow 600A with test point, an insulation OD of 1.755", and 750 kcmil stranded cable is ELB-35-610R750-200. (Or with AL shear bolt ELB-35-610R-A3-200)

Ordering Notes:

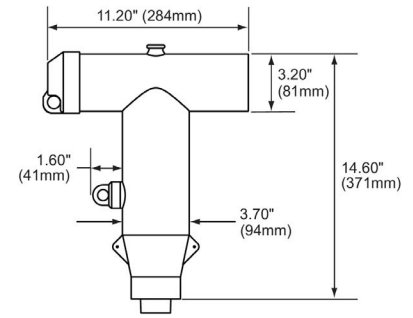
- To include a sealing kit, add "-ESA" suffix for heat shrink, "-CES" suffix for cold applied EPDM closure, or "-GES" suffix for cold applied GelWrap ES closure after the connector section. See separate catalog page for sizing details.
- If using copper tape shield cable, sealing and grounding kit ELB-35-600-GRDx (heat shrink) or ELB-600-CES-GRDX (cold applied), is required and ordered separately. See data sheet for sizing details (x = 1, 2, or 3).
- To include a copper threaded stud in 600A kits, add "-CU" to the end of the product description

ELB-35-	1	2	3	4
35 kV Elbow	Rating/ Test point	Cable OD	Connector	BIL Rating
= ELB-35-	610	R	750*	200

ELB Kit Contents:

- Elbow, Insulating Plug, Cable Adapter, Stud, Connector, Silicone Lubricant, Installation Instruction and Jacket Seal (optional)
- When a 900A series is selected, the kit will include a copper insulating back plug, a copper stud, and the specified shear bolt connector.

RATINGS
Voltage Class 35 kV
Max Rating Phase-to-Ground 21.1 kV
AC 1 Minute Withstand 50 kV
DC 15 Minute Withstand 103 kV
BIL and Full Wave Crest 150 kV
Minimum Corona Level 26 kV (3pC)
Continuous 600A rms
24 Hour Overload 1,000A rms
Momentary:
40,000A symmetrical 10 cycles
10,000A symmetrical 3.00 sec
100% PRODUCTION TEST
Minimum Corona Level 26 kV (3pC)
AC 1 Minute Withstand 50 kV



Ordering Formula

ELB-35-	1	2	3	4
1	CURRENT RATING TEST POINT CODE			
600 = 600 AMP WITHOUT test point				
610 = 600 AMP WITH test point				
900 = 900 AMP WITHOUT test point				
910 = 900 AMP WITH test point				
3	COMPRESSION LUGS CONDUCTOR SIZE (ALUMINUM OR COPPER)			
CODE	STR/COMP	COMPACT	SOLID	
1	-	1/0	1/0	
10	1/0	2/0	2/0	
20	2/0	3/0	3/0	
30	3/0	4/0	4/0	
40	4/0	250	-	
250	250	300	-	
300	300	350	-	
350	350	400	-	
400	400	450/500	-	
450	450	500/550	-	
500	500	600	-	
550	550	650	-	
600	600	700	-	
650	650	750/800	-	
750	700/750	900	-	
800	800	900	-	
900	900	1000	-	
1000	1000	-	-	
1100	1100	-	-	
1250	1250	-	-	
4	BIL RATING			
Blank = 150 kV BIL				
200 = 200 kV BIL				
2	CABLE INSULATOR O.D. RANGE			
CODE	INCHES	MM		
E	0.930 - 1.040	23.6 - 26.4		
F	0.980 - 1.115	24.9 - 28.3		
G	1.040 - 1.175	26.4 - 29.8		
H	1.095 - 1.240	27.8 - 31.5		
J	1.160 - 1.305	29.5 - 33.1		
K	1.220 - 1.375	31.0 - 34.9		
L	1.285 - 1.395	32.6 - 35.4		
M	1.355 - 1.520	34.4 - 39.0		
N	1.485 - 1.595	37.7 - 40.5		
P	1.530 - 1.640	38.9 - 41.7		
Q	1.575 - 1.685	40.0 - 42.8		
R	1.665 - 1.785	42.3 - 45.3		
S	1.755 - 1.875	44.6 - 47.6		
T	1.845 - 1.965	46.9 - 50.0		
U	1.935 - 2.055	49.1 - 52.2		
V	2.025 - 2.145	51.4 - 54.5		
COPPER SHEAR BOLT & CONDUCTOR SIZE				
CODE	COMPRESSION, COMPACT, STRAND			
-C1	2 - 4/0			
-C2	2/0 - 500			
-C3	300 - 750			
-C4	500 - 1000			
-C5	1000 - 1250			
ALUMINUM SHEAR BOLT & CONDUCTOR SIZE (ALUMINUM OR COPPER)				
CODE	COMPRESSION, COMPACT, STRAND			
-A1	2 - 4/0			
-A2	350 - 750			
-A3	600 - 1000			
-A4	1000 - 1250			
-A5	1500			
COPPER-TOP SHEAR BOLT & CONDUCTOR SIZE				
CODE	COMPRESSION, COMPACT, STRAND			
-CT1	1/0-350			
-CT2	500-1000			
-CT3	1250-1500			

*Order kit without connector by putting "x" as a placeholder

Related Test Reports:

EDR-5476, EDR-5477, EDR-5502, EDR-5503, EDR-5543, EDR-5642, EDR-5698, EDR-5699

Learn more: [TE.com/energy](https://www.te-connectivity.com/energy)

© 2022 TE Connectivity. All Rights Reserved. EPP-2652-DDS-11/22

TE, TE Connectivity, TE connectivity (logo), EVERY CONNECTION COUNTS, Raychem are trademarks owned or licensed by TE Connectivity. Other logos, product and company names mentioned herein may be trademarks of their respective owners. While TE has made every reasonable effort to ensure the accuracy of the information in this brochure, TE does not guarantee that it is error-free, nor does TE make any other representation, warranty or guarantee that the information is accurate, correct, reliable or current. TE reserves the right to make any adjustments to the information contained herein at any time without notice. TE Connectivity's obligations shall only be as set forth in TE Connectivity's Standard Terms and Conditions of Sale for this product and in no case will TE Connectivity be liable for any incidental, indirect or consequential damages arising out of the sale, resale, use or misuse of the product. TE expressly disclaims all implied warranties regarding the information contained herein, including, but not limited to, any implied warranties of merchantability or fitness for a particular purpose. The dimensions, specifications, and/or information contained herein are for reference purposes only and are subject to change without notice. Consult TE for the latest dimensions, specifications, and/or information. Users of TE Connectivity products should make their own evaluation to determine the suitability of each such product for the specific application.

Connect with us:

[TE.com/energy-contact](https://www.te-connectivity.com/energy-contact)