

ANSI SWITCHBOARD METERS

ANALOG POWER METERS

KEY FEATURES

- Low profile
- Class 1 accuracy
- Optional panel gasket
- Long scale 240°
- Enhanced safety
- Reinforced insulation
- ANSI C39.1
- Rugged pivot and jewel movement

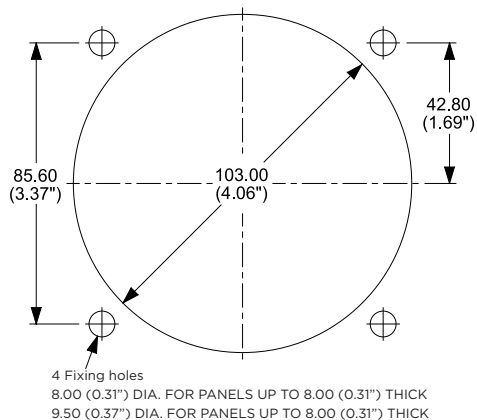
TE Connectivity's (TE) Crompton Instruments compact ANSI switchboard meter offers Class 1 accuracy metering performance packed in a low profile, depth saving case. The 007 switchboard meters are a direct drop-in replacement for our legacy switchboard products.

The compact case also offers a lightweight, heavy-duty polycarbonate case for enhanced electrical safety. The 4½ inch meter complies with ANSI-C39.1 specifications.

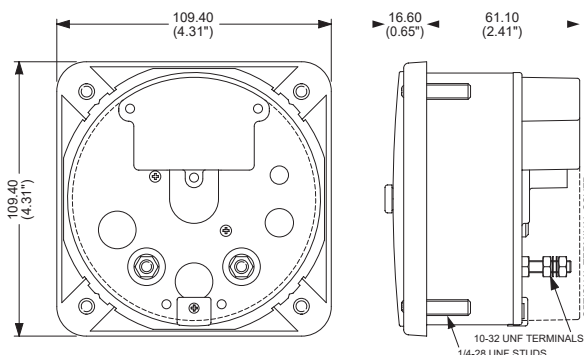
This extensive range of analog and digital/analog meters utilizes high shock and provides 1% accuracy for all RMS AC and DC ranges. The range offers various customized options and features.

Customers can count on consistent, high quality products, driven by TE's proven innovation and backed by our extraordinary customer support.

ANSI switchboard meters



PANEL CUT OUT



DIMENSIONS

SPECIFICATIONS

Performance	ANSI C39.1 (1981)
Accuracy	Class 1
Terminals	10 - 32 UNF terminals
Response time	Approximately 2.5 seconds to full scale (007 and 078)
Dielectric voltage	Withstand test 2.3 kV for 1 minute
Standard calibration	23°C
Operating temperature	0°C to +60°C. Model 078: -40°C to +70°C
Storage temperature	-10°C to +50°C
Extreme temperature range	-20°C to +65°C
Enclosure integrity	Model 007 to IP54 (NEMA 3S) splash proof, IP55 (NEMA 4) hoseproof is an optional extra Model 078 to IP67 (NEMA 6 and 6P)
Fixing on panel	4 integral 1/4 -28 UNF fixing studs
Certifications	c-UL-us, CE

PRODUCT CODES - SELF CONTAINED 40/70HZ - ACCURACY ±1%, 60HZ***

Rating	Scaling	4 1/2" square flange	
		Std. case catalogue number	Std. case hi-shock catalogue number
1A	0-1A	007-05FA-LALA-C7	078-05FJ-LALA-C6
1.5A	0-1.5A	007-05FA-LCLC-C7	078-05FJ-LCLC-C6
2A	0-2A	007-05FA-LELE-C7	078-05FJ-LELE-C6
3A	0-3A	007-05FA-LLJL-C7	078-05FJ-LLJL-C6
5A	0-5A	007-05FA-LSLS-C7	078-05FJ-LSLS-C6
7.5A	0-7.5A	007-05FA-MFMF-C7	078-05FJ-MFMF-C6
10A	0-10A	007-05FA-MTMT-C7	078-05FJ-MTMT-C6
15A	0-15A	007-05FA-NDND-C7	078-05FJ-NDND-C6
20A	0-20A	007-05FA-NGNG-C7	078-05FJ-NGNG-C6
30A	0-30A	007-05FA-NLNL-C7	078-05FJ-NLNL-C6

PRODUCT CODES - SELF CONTAINED 50/60HZ ± 20% - ACCURACY ±1%***

150V	0-150V	007-05GA-PZPZ-C7	078-05GJ-PZPZ-C6
250V	0-250V	007-05GA-RSRS-C7	078-05GJ-RSRS-C6
300V	0-300V	007-05GA-RRXR-C7	078-05GJ-RRXR-C6
500V	0-500V	007-05GA-SFSF-C7	078-05GJ-SFSF-C6
600V	0-600V	007-05GA-SJSJ-C7	078-05GJ-SJSJ-C6
750V	0-750V	007-05GA-SMSM-C7	078-05GJ-SMSM-C6

DIMENSIONS (IN INCHES)

Model	Panel Cutout			Rear View		Side View		
	Dia	A	B	C	D	E	F	G
007 (Amps, Volts & Freq.)	4.06	3.37	1.69	4.31	0.65	2.41	-	4.05
007 Others	4.06	3.37	1.69	4.31	0.65	-	0.91	4.05
078	4.06	3.37	1.69	4.31	0.63	-	0.91	4.05

Dimension E on 007 others and 078 products varies with measured parameter. See product code on following page.
Dimension F on 078 (Amps, Volts & Freq.) products is included with dimension E.
1-4 Fixing holes Ø 8mm. 2-1/4-28 UNF fixing studs. 3-10-32 UNF terminals.

APPROVALS

c-UL UL listed
E203000



te.com/energy

© 2020 TE Connectivity. All Rights Reserved. EPP-3355-DDS-06/20-AMS-ANSI-SWITCHBOARD-METERS

TE Connectivity, TE connectivity (logo), EVERY CONNECTION COUNTS, AMP, AMPACT, Axicom, Bowthorpe EMP, Crompton Instruments, Raychem, SIMEL, UTILUX are trademarks. Other logos, product and Company names mentioned herein may be trademarks of their respective owners. While TE has made every reasonable effort to ensure the accuracy of the information in this brochure, TE does not guarantee that it is error-free, nor does TE make any other representation, warranty or guarantee that the information is accurate, correct, reliable or current. TE reserves the right to make any adjustments to the information contained herein at any time without notice. TE expressly disclaims all implied warranties regarding the information contained herein, including, but not limited to, any implied warranties of merchantability or fitness for a particular purpose. The dimensions in this brochure are for reference purposes only and are subject to change without notice. Specifications are subject to change without notice. Consult TE for the latest dimensions and design specifications.

FOR MORE INFORMATION: TE Technical Support Centers

USA/Canada: +1 800-327-6996
Brazil: +55 11-2103-6023
Mexico: +52 55-1106-0800
South America: +57 1-319-8962
Benelux: +32 16-508-695
France: +33 (0) 38-058-3210
Germany/Switzerland: +49 (0) 89-608-9903
Italy: +39 335-834-3453
Middle East/Africa: +971 4-211-7020
Russia: +7 495-790-790-2-200
Spain/Portugal: +34 912-681-885
UK: +44 08708-707-500
China: +86 400-820-6015