

## DC AMMETER SHUNTS

### TM SERIES LIGHTWEIGHT BASE MOUNTED SHUNT

#### KEY FEATURES

- Base Mounted
- Current Ratings  
5-1200 Amps
- 50mV, 100mV or custom output
- $\pm 0.25\%$  Manganin Resistive Element

\*Available without base

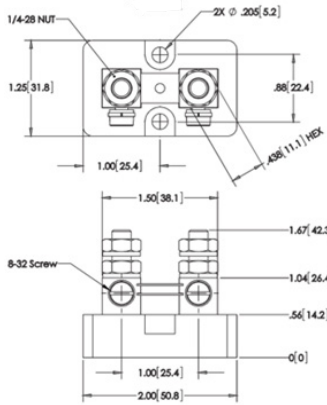
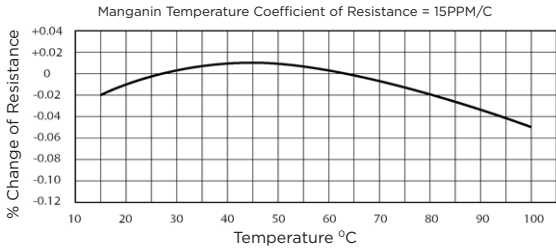
TE Connectivity's (TE) Crompton Instruments TM range of lightweight shunts offers accurate millivolt conversion of primary DC system currents. They can be used to drive indicators, overload protection and control devices in the range of 5 - 1200 Amps DC.

Ample ventilation should be applied to all applications. Shunts are supplied with bolts, Nuts and Washers to provided suitable installation.

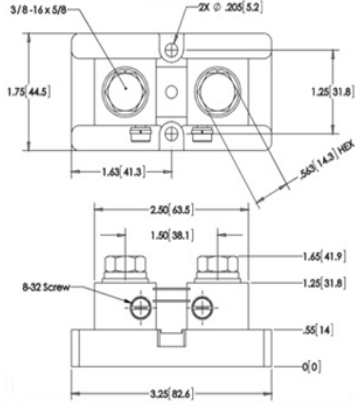
Shunts are supplied without insulation. Protection from accidental contact may be necessary to comply with local Safety Regulations.

**Customers can count on consistent, high quality products, driven by TE's proven innovation and backed by our extraordinary customer support.**

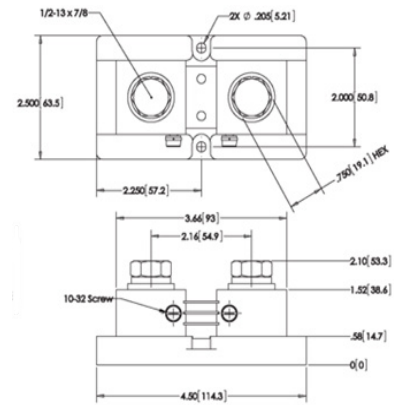
# DC AMMETER SHUNTS - TM SERIES



5A to 150A



170A to 600A



800A to 1200A

## SPECIFICATION AND DIMENSIONS

P/N	Rated Current (A)	Operating Current (A)	Resistance (mΩ) 50mV Output	Resistance (mΩ) 100mV Output
TM-5-**-	5	3.33	10.00	20.00
TM-10-**-	10	6.67	5.00	10.00
TM-15-**-	15	10	3.333	6.667
TM-20-**-	20	13.3	2.500	5.000
TM-30-**-	30	20	1.667	3.333
TM-50-**-	50	33.3	1.000	2.000
TM-75-**-	75	50	0.667	1.333
TM-80-**-	80	53.3	0.625	1.250
TM-85-**-	85	56.7	0.588	1.176
TM-100-**-	100	66.7	0.500	1.000
TM-150-**-	150	110	0.3333	0.6667
TM-170-**-	170	113	0.2941	0.5882
TM-200-**-	200	133	0.2500	0.5000
TM-250-**-	250	166	0.2000	0.4000
TM-300-**-	300	200	0.1667	0.3333
TM-400-**-	400	267	0.1250	0.2500
TM-450-**-	450	300	0.1111	0.2222
TM-500-**-	500	333	0.1000	0.2000
TM-600-**-	600	400	0.0833	0.1667
TM-800-**-	800	533	0.0625	0.1250
TM-1000-**-	1000	666	0.0500	0.1000
TM-1200-**-	1200	800	0.0417	0.0833

## TECHNICAL PARAMETERS

Rated Output	50mV, 100mV & Custom
Voltage Tolerance	±0.25% Standard ±0.1% Available (Contact Factory)
Operating Temperature	-40°C to +60°C
Storage Temperature	-55°C to 80°C
Dielectric Strength	750VDC (Terminal Block to Base)
Materials	Resistance Element: Manganin Terminal Block 5A-150A & 170A-600A: Brass Terminal Block 800A-1200A: Copper Hardware: Brass Solder: Lead Free Standard, Lead on Request
Military Specification	Built to A-A-55524, Commercial Version of MIL-S-61B Calibrated on Certified N.I.S.T Equipment

## ORDERING INFORMATION

Description	Part Number
DC Shunt, 30A, 50mV	TM-30-50
DC Shunt, 500A, 100mV	TM-500-100
DC Shunt, 1000A, 50mV	TM-1000-50

Part Description: Part Type - Rated Current - Voltage Output (mV) - NB (no baseplate option)  
Example: TM-30-50 or TM-30-50-NB without baseplate

## FOR MORE INFORMATION: TE Technical Support Centers

USA:	+ 1 800 327 6996
Canada:	+ 1 (905) 475-6222
Mexico:	+ 52 (0) 55-1106-0800
Latin/S. America:	+ 54 (0) 11-4733-2200
France:	+ 33 380 583 200
UK:	+ 44 0870 870 7500
Germany:	+ 49 896 089 903
Spain:	+ 34 916 630 400
Italy:	+ 39 333 250 0915
Benelux:	+ 32 16 508 695
Russia:	+ 7 495-790 790 2-200
China:	+ 86 (0) 400-820-6015

[te.com/energy](http://te.com/energy)

© 2019 TE Connectivity. All Rights Reserved. EPP-3364-DDS-5/19-TM-DC-AMMETER-SHUNTS-TE

Crompton Instruments, TE Connectivity and TE connectivity (logo) are trademarks. Other logos, product and/or company names might be trademarks of their respective owners. While TE has made every reasonable effort to ensure the accuracy of the information in this brochure, TE does not guarantee that it is error-free, nor does TE make any other representation, warranty or guarantee that the information is accurate, correct, reliable or current. TE reserves the right to make any adjustments to the information contained herein at any time without notice. TE expressly disclaims all implied warranties regarding the information contained herein, including, but not limited to, any implied warranties of merchantability or fitness for a particular purpose. The dimensions in this catalog are for reference purposes only and are subject to change without notice. Specifications are subject to change without notice. Consult TE for the latest dimensions and design specifications.