

## DC DIN SHUNTS CURRENT TRANSFORMERS

### KEY FEATURES

- Managing resistive load
- Class 0.5  
(class 0.2 available)
- Output range  
50 mV to 150 mV

TE Connectivity's (TE) Crompton Instruments range of direct current shunts provides an accurate millivolt signal, exactly proportional to the system current.

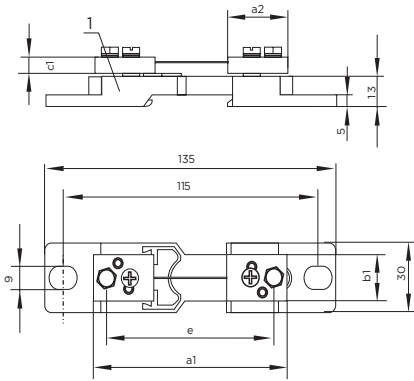
They can be used to drive ammeter indicators, overload protection and control devices. These shunts enable the measurement of DC current in ranges from 10A to 10000A with various output options available.

**Customers can count on consistent, high quality products, driven by TE's proven innovation and backed by our extraordinary customer support.**

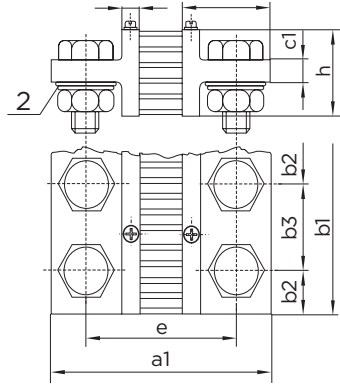


DIMENSIONS

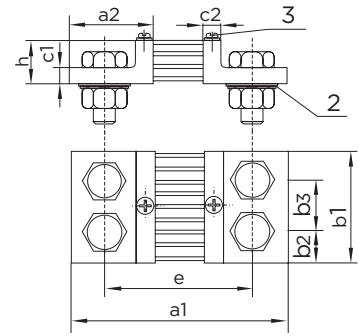
ST1



ST2



ST3



SPECIFICATION	
Technical parameters	
Input	Test voltage 3kV for 1 minute
Accuracy class	0.5
Temperature Coefficient	0.1%/10° K
Overload withstand	1.2 rated current
5 second withstand	10A - 250A = 10 x rated current 250A - 2000A = 5 x rated current 2000A - 10000A = 2 x rated current
Operating temperature	-25°C to +55°C
Rating	10A up to 10000A
Outputs	50mV, 60mV, 75mV, 100mV, 150mV

te.com/energy

©2020 TE Connectivity. All Rights Reserved. EPP-3476-DDS-3/20

Crompton Instrument, TE Connectivity, TE connectivity (logo), EVERY CONNECTION COUNTS, AMP, AMPACT, Axicom, Bowthorpe EMP, Crompton Instruments, Raychem, SIMEL, UTILUX are trademarks. Other logos, product and Company names mentioned herein may be trademarks of their respective owners. While TE has made every reasonable effort to ensure the accuracy of the information in this brochure, TE does not guarantee that it is error-free, nor does TE make any other representation, warranty or guarantee that the information is accurate, correct, reliable or current. TE reserves the right to make any adjustments to the information contained herein at any time without notice. TE expressly disclaims all implied warranties regarding the information contained herein, including, but not limited to, any implied warranties of merchantability or fitness for a particular purpose. The dimensions in this brochure are for reference purposes only and are subject to change without notice. Specifications are subject to change without notice. Consult TE for the latest dimensions and design specifications.

FOR MORE INFORMATION:  
TE Technical Support Centers

- USA/Canada: +1 800-327-6996
- Brazil: +55 11-2103-6023
- Mexico: +52 55-1106-0800
- South America: +57 1-319-8962
- Benelux: +32 16-508-695
- France: +33 (0) 38-058-3210
- Germany/Switzerland: +49 (0) 89-608-9903
- Italy: +39 335-834-3453
- Middle East/Africa: +971 4-211-7020
- Russia: +7 495-790-790-2-200
- Spain/Portugal: +34 912-681-885
- UK: +44 08708-707-500
- China: +86 400-820-6015