

MODEL 56SFT CURRENT TRANSFORMERS

KEY FEATURES

- Frequency 50-400 Hz
- Insulation level 600 Volts
10 kV BIL full wave
- Window diameter 2.06"
- Approximate weight of
0.6 lbs

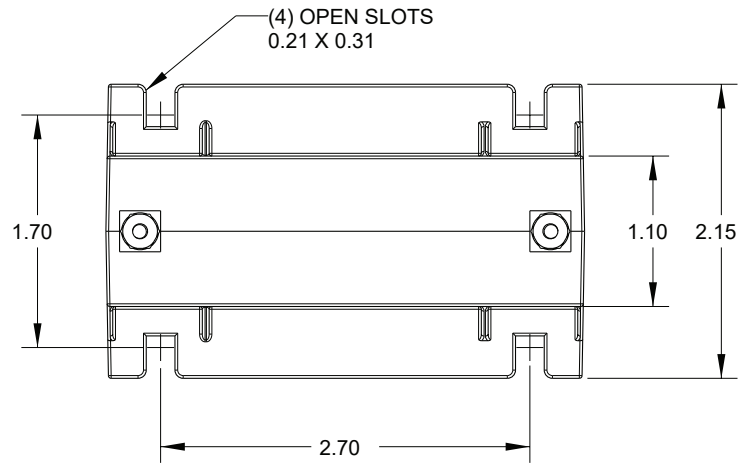
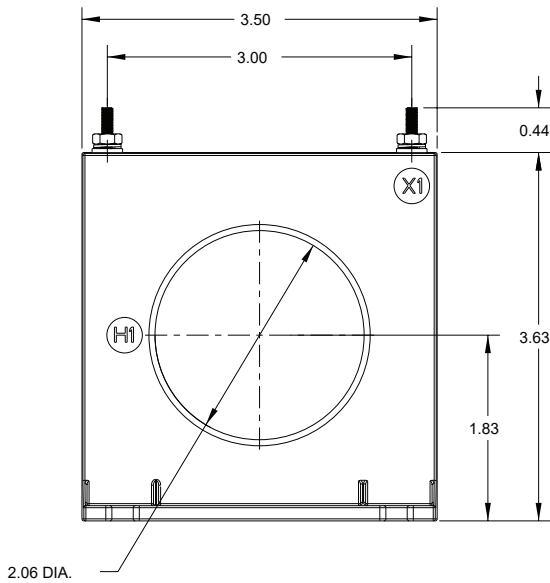
TE Connectivity's (TE) Crompton Instruments range of ANSI current transformers provide cost-effective and accurate measurement of the primary current. The extensive portfolio measures a wide range of primary currents with apertures to suit most conductor sizes.

The Model 56 current transformer is available in foot mounting styles:

- SFT: Foot mounting with brass studs number 8-32 UNC with flat washer, lock washer and nut.
- SFL: Foot Mounting with Leads (24 inches long).

Customers can count on consistent, high quality products, driven by TE's proven innovation and backed by our extraordinary customer support.

Model 56SFT Current Transformers



MODEL 56SFT Window Diameter 2.06" Approximate Weight: 0.6 LBS

PRODUCT SELECTION INFORMATION

Catalogue Number	Current Ratio	Accuracy at 60 Hz	Burden VA at 60 Hz
56SFT-500	50:5	± 3%	0.5
56SFT-750	75:5	± 1%	0.5
56SFT-101	100:5	± 1%	1.0
56SFT-151	150:5	± 1%	2.5
56SFT-201	200:5	± 1%	4.0
56SFT-251	250:5	± 1%	6.0
56SFT-301	300:5	± 1%	7.5
56SFT-401	400:5	± 1%	10.0
56SFT-501	500:5	± 1%	12.5
56SFT-601	600:5	± 1%	15.0
56SFT-751	750:5	± 1%	7.0
56SFT-801	800:5	± 1%	8.0
56SFT-102	1000:5	± 1%	10.0
56SFT-122	1200:5	± 1%	12.5



te.com/energy

© 2020 TE Connectivity. All Rights Reserved. EPP-3607-DDS-10/20-EN

TE Connectivity, TE connectivity (logo), EVERY CONNECTION COUNTS, AMP, AMPACT, Axicom, Bowthorpe EMP, Crompton Instruments, Raychem, SIMEL, UTILUX are trademarks. Other logos, product and Company names mentioned herein may be trademarks of their respective owners. While TE has made every reasonable effort to ensure the accuracy of the information in this brochure, TE does not guarantee that it is error-free, nor does TE make any other representation, warranty or guarantee that the information is accurate, correct, reliable or current. TE reserves the right to make any adjustments to the information contained herein at any time without notice. TE expressly disclaims all implied warranties regarding the information contained herein, including, but not limited to, any implied warranties of merchantability or fitness for a particular purpose. The dimensions in this brochure are for reference purposes only and are subject to change without notice. Specifications are subject to change without notice. Consult TE for the latest dimensions and design specifications.

FOR MORE INFORMATION: TE Technical Support Centers

USA/Canada:	+1 800-327-6996
Brazil:	+55 11-2103-6023
Mexico:	+52 55-1106-0800
South America:	+57 1-319-8962
Benelux:	+32 16-508-695
France:	+33 (0) 38-058-3210
Germany/Switzerland:	+49 (0) 89-608-9903
Italy:	+39 335-834-3453
Middle East/Africa:	+971 4-211-7020
Russia:	+7 495-790-790-2-200
Spain/Portugal:	+34 912-681-885
UK:	+44 08708-707-500
China:	+86 400-820-6015