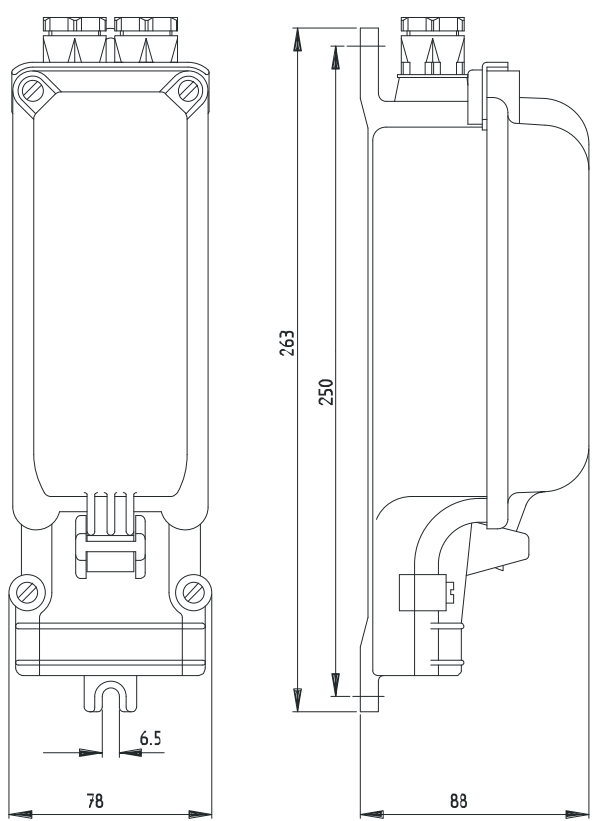
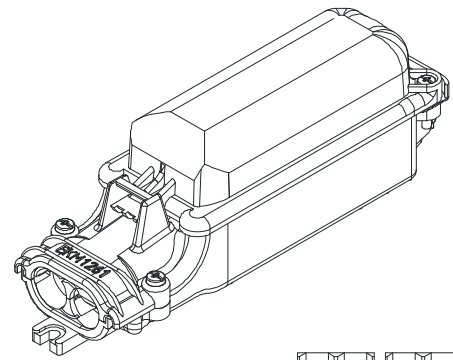


EKM-1261-5x16-1R-1CG-C2
Art.-Nr.: F81971-000

Fuse Box for Lighting Application EKM 1261
 For installation in lighting columns with minimum diameter of 100 mm
 With door opening minimum 80 x 250 mm
 For outdoor application
 Terminal block with 5 mantle terminals:
 2 cables 5 x 6- 16 mm²
 1 DIN-rail for max. 3 MCB's
 Protection class II (with double or increased insulation)
 With ingress protection IP 54
 2 feeder cables Ø 22mm
 2x compression glands PG 13,5 for luminar cables Ø8-14mm



Cable Entry

