

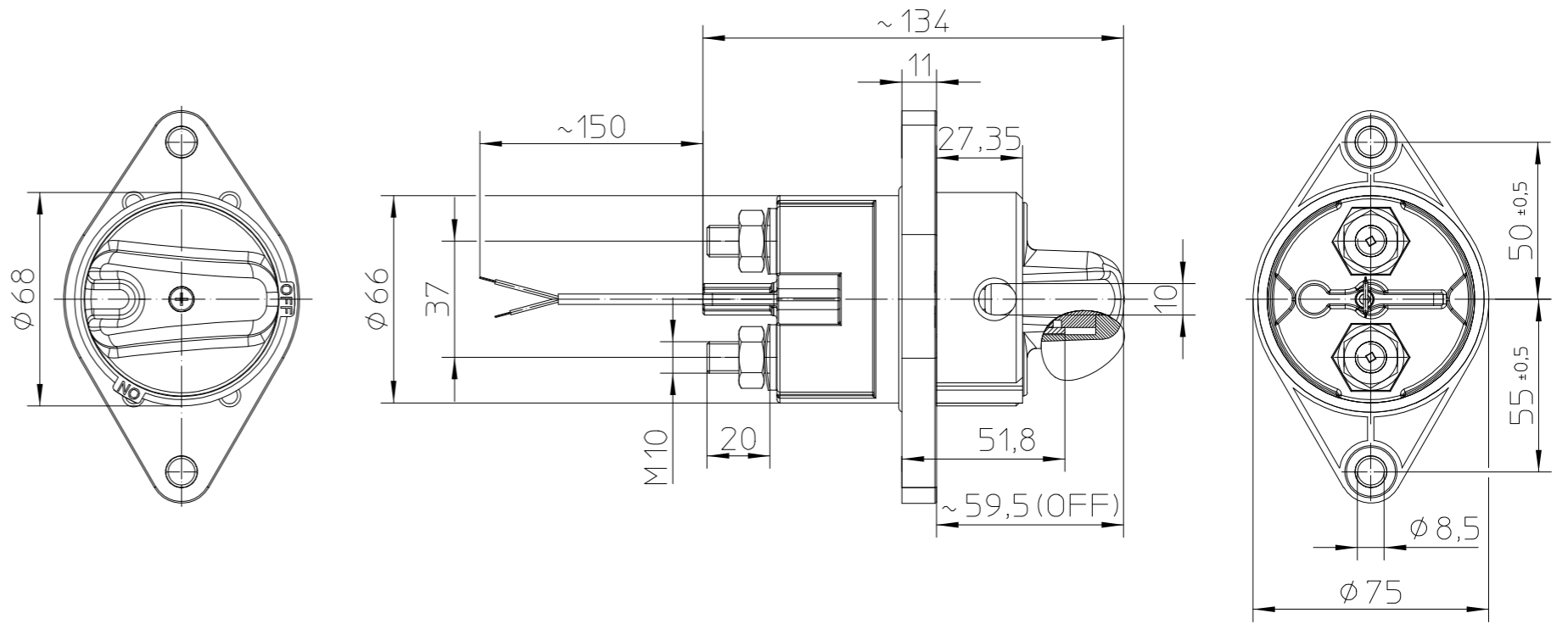
Technical Data:

Case Material Cover	PA GF black
Base Plate	PA GF black
Switch Lever Material	PA GF orange RAL2003
Min. Insulation Resistance	100MΩ
Dielectric Withstanding Voltage	2000V-1min.
Max. Contact Voltage Drop At Nominal Load	ca.60-70mV
Operating Voltage	up to 730VDC
Not switched under load	
Duty Rating At Wire Section	550A
Overload	1200A-30s

Sealing	IP6K9K
Cable and connector	IP00
Vibration	4G/ 10-2000Hz
Shock	25G/ 15ms
Weight	340g
Temperature Range	-40°C to +85°C
Mounting Position	any
Wire Section(at nominal Load Main Terminals)	min. 240mm²
Switch Lever	removeable
Max. Torque (Main Terminals)	15-20Nm

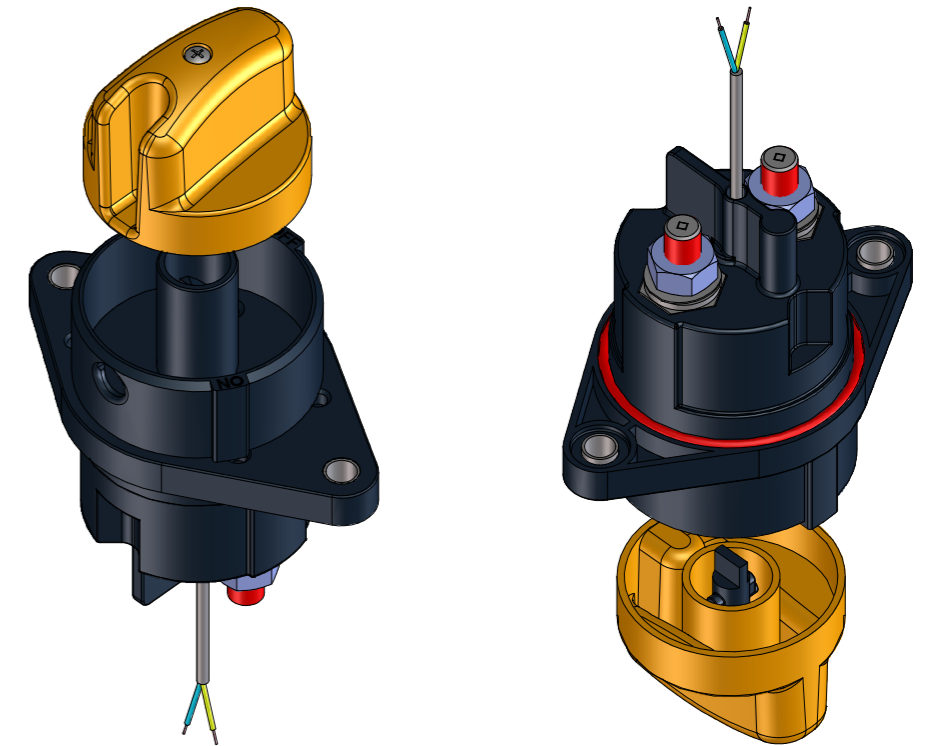
Auxiliary contact:

Continuous current	50mA
Nominal voltage	12VDC

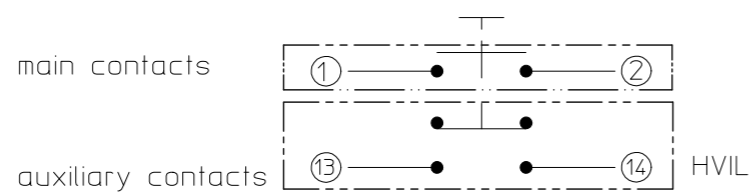


When operating the shift lever from the OFF to the ON position, the main contacts 1/2 initially close and then the auxiliary contacts 13/14.

When operating the shift lever from ON to OFF position, the auxiliary contacts 13/14 open before the main contacts 1/2.



Circuit



Battery Disconnecter High Voltage Page 1 of 1

	Date	Name	mm	Scale		Drawing No.:
Create	05.02.2019	Mielk	↔	1:2		35H-511-0100-OR210-900
Edited	16.05.2019	Grind	General Tolerances		NSN.:	
Check	16.05.2019	Grind	DIN ISO 2768 cL			