



## KISSLING CUBE RELAY WITH TIME DELAY

### Series 85 - from TE Connectivity (TE)

The KISSLING cube relay with time delay switching offers a wide range of different applications due to the integrated microcontroller.

The special feature is the realizable time delay in the pick-up and drop-out behavior of the relay. These time delays can be programmed from 100 milliseconds up to 24 hours, depending on customer requirements. The control of the relays can also be frequency controlled if required. The cube relays of this series are available in 12VDC or 24VDC as changeover contacts with circuit protection.

This relay is protected against quantities of dust that could interfere with normal operation of the product, as well as against splashing water from any angle in accordance to IP54.

Applications in temperature ranges from -40°C up to +85°C are no problem for the relay, which has a mechanical life of up to 10 million cycles.

#### Features

- Time delay programmable from 100ms to 24 hours
- Activation of the relays can also be frequency controlled
- Main contact current rated for 10A continuous current and 100% duty cycle
- Rated for minimum 100,000 switching cycles under full load

#### Applications

- Commercial vehicles
- Bus
- Truck
- Ground support equipment
- Construction and agricultural vehicles
- Military equipment

## SERIES 85

### Cube relay with time delay

#### Specification

##### Technical Data

Temperature range	-40°C to +85°C
Protection	IP54 (IEC 60529)
Interference immunity: Delay-on-make / Frequency	according to DIN40839
EMC	according to DIN ISO 11452-5 (focus 1), EN 61000-4-4 (focus 3)
CE-certification	according to EN 55011 and EN 50082-2
Weight	approx. 35g

##### General Electrical Characteristics

Rest current	max. 2mA @ 24VDC
Over load	
Contact NO	20A, 1min
Contact NC	15A, 1min
Pulse width (INIT)	min. 100ms ± 5%
Time delay	from 100ms ± 5%
Accuracy of time delay	at 25°C ±2% / at -40°C to +85°C ± 10%

Coil data	12 VDC	24 VDC
Voltage range	9-15VDC	18-30VDC
Holding current	12 VDC	24VDC
Contact operate	≥ 9VDC	≥ 18VDC
Contact bounce	1VDC to 5.5VDC	2VDC to 10VDC
Contact release	max. 10msec	

Current consumption	12 VDC
Active	9-15VDC
Passive	12 VDC

Version related data	12V / 10A	24V / 10A	24V / 10A with Poti	24V / 30A	24V / 50A
continuous current Change Over	10A	10A	10A	30A	50A
Time delay	3s ± 5%	30s ± 5%	Poti ± 5%	15s ± 5%	3s ± 5%
Mechanical life max.	10 mio cycles	10 mio cycles	10 mio cycles	10 mio cycles	1 mio cycles
Electrical life max.	100.000 cycles				

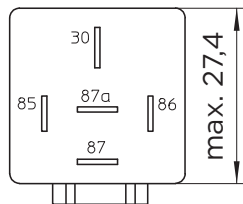
## SERIES 85

Cube relay with time delay

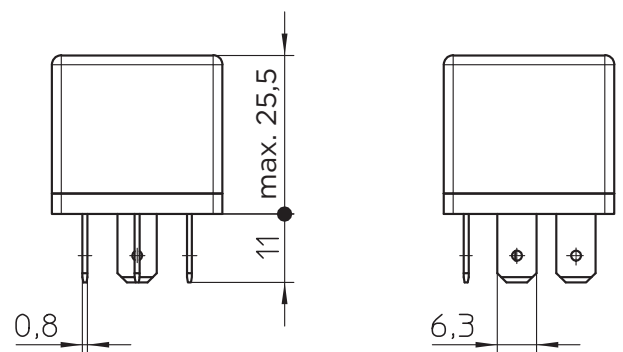
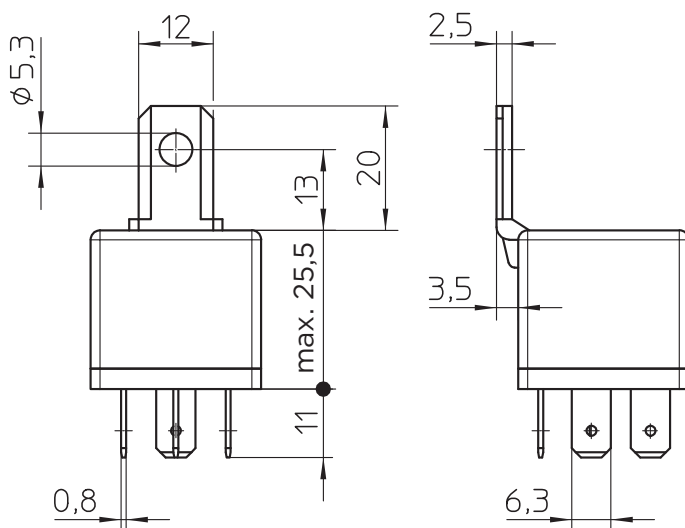
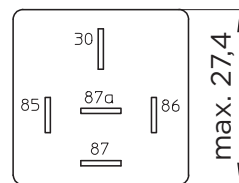
### Technical drawings

#### Delay-on-make / Delay-on-break

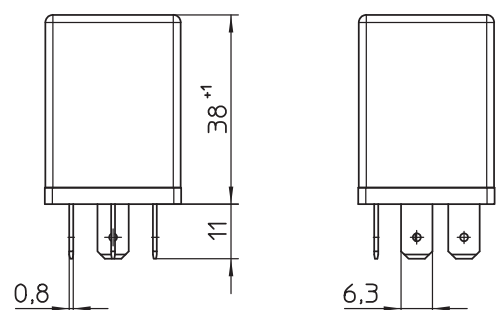
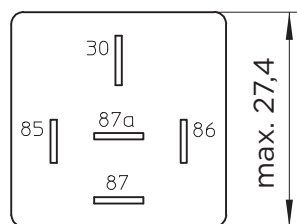
With bracket



Without bracket



#### Frequency



### Ordering Information

Please contact your TE contact person or field engineer for more information on the different variants and available products,

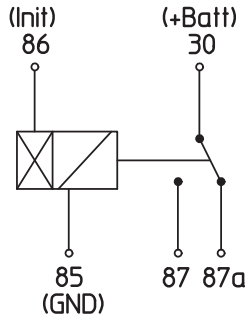
Click here to contact our [TE Customer Service](#)

# SERIES 85C

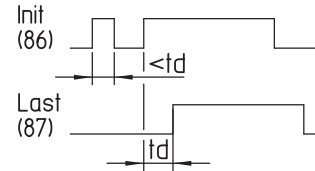
## Cube relay with time delay

### Technical drawings

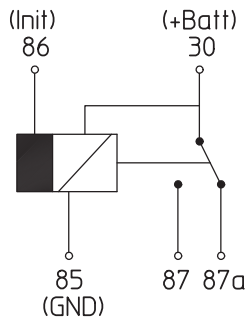
#### Delay-on-make



#### Switching characteristic

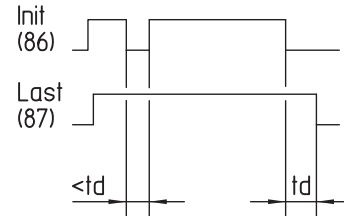


#### Delay-on-break

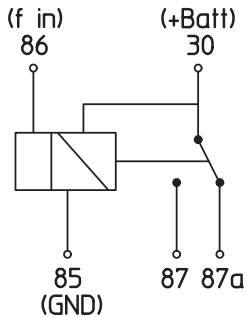


Attention:  
Control and load circuit  
are not galvanically  
isolated.

#### Switching characteristic

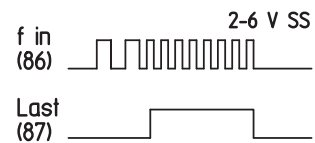


#### Frequency



Attention:  
Control and load circuit  
are not galvanically  
isolated.

#### Switching characteristic



### te.com

TE Connectivity, TE, TE connectivity (logo) and KISSLING (word) are trademarks owned or licensed by the TE Connectivity family of companies. All other logos, products and/or company names referred to herein might be trademarks of their respective owners.

The information given herein, including drawings, illustrations and schematics which are intended for illustration purposes only, is believed to be reliable. However, TE Connectivity makes no warranties as to its accuracy or completeness and disclaims any liability in connection with its use. TE Connectivity's obligations shall only be as set forth in TE Connectivity's Standard Terms and Conditions of Sale for this product and in no case will TE Connectivity be liable for any incidental, indirect or consequential damages arising out of the sale, resale, use or misuse of the product. Users of TE Connectivity products should make their own evaluation to determine the suitability of each such product for the specific application.

© 2021 TE Connectivity | All Rights Reserved.

K1166704 | Version 06/2021