

THIS DRAWING AND THE DESIGN IT DISCLOSES ARE THE PROPERTY OF KILOVAC CORP AND IT IS ISSUED IN CONFIDENCE FOR ENGINEERING INFORMATION ONLY. THE DRAWING AND OR DESIGN MAY NOT BE REPRODUCED, DISCLOSED TO OUTSIDERS, OR USED FOR ANY OTHER PURPOSE WITHOUT THE PRIOR EXPRESS CONSENT OF KILOVAC. THE DRAWING IS LOANED FOR MUTUAL ASSISTANCE AND IS SUBJECT TO RECALL AT ANY TIME.

REVISIONS

SYM	DESCRIPTION	DATE	APRVL.
A	INITIAL RELEASE	NPR 6570 3-10-83	HJ
B	REV'D P1 & P2	ECO 6921 6-6-84	RG
C	REV'D P1, P2 & P4	NPR 6930 6-26-84	RG
D	REV'D P1 & P4	ECO 7202 6-28-85	RG
E	REV'D P1 & P2	ECO 7627 1-8-87	RG
F	REV'D P1,2	ECO 7702 5.8.87	DKP
G	REV'D P1&2	ECO 7815 10-7-87	RG

REV STATUS OF SHEETS

REV.	G	F	A	C	
SHEET	1	2	3	4	

Kilovac®
CORPORATION

P.O. BOX 4422 SANTA BARBARA, CA., U.S.A.

TITLE

HIGH VOLTAGE GAS FILLED RELAY

PREP. BY JP 3-10-83

DWG. NO.

KC-28 SERIES

CHK. BY RG 10-7-87

ENG. APRVL. HJ 3-11-83

CODE IDENT. NO. 18741

SHEET 1 OF 4

THIS DRAWING AND THE DESIGN IT DISCLOSES ARE THE PROPERTY OF KILOVAC CORP. AND IT IS ISSUED IN CONFIDENCE FOR ENGINEERING INFORMATION ONLY. THE DRAWING AND OR DESIGN MAY NOT BE REPRODUCED, DISCLOSED TO OUTSIDERS, OR USED FOR ANY OTHER PURPOSE WITHOUT THE PRIOR EXPRESS CONSENT OF KILOVAC. THE DRAWING IS LOANED FOR MUTUAL ASSISTANCE AND IS SUBJECT TO RECALL AT ANY TIME.

REV.

F


SPECIFICATIONS:

CONTACT ARRANGEMENT.....	SPST-NO
FORM.....	X
TEST VOLTAGE (dc OR 60 Hz, kV PEAK).....	28
RATED OPERATING VOLTAGE	
dc OR 60 Hz.....	25
CONTINUOUS CURRENT CARRY, MAX. (A RMS)	
dc OR 60 Hz.....	30
COIL HI-POT (V RMS, 60 Hz).....	500
CONTACT RESISTANCE, MAX. (OHMS)*.....	1.0
OPERATE TIME, MAX. (ms).....	18
RELEASE TIME, MAX. (ms).....	10
SHOCK, 11 ms 1/2 SINE (PEAK G's).....	30
VIBRATION, 10 G's PEAK (Hz).....	55-500
OPERATING TEMPERATURE RANGE (°C).....	-55 TO +125
MECHANICAL LIFE (OPERATIONS X 10 ⁶).....	2
WEIGHT, MAXIMUM (oz).....	12

RELAY PART NUMBER	KC-28/12VDC	KC-28	KC-28/115VDC	
COIL VOLTAGE, NOMINAL	12	26.5	115	
PICK-UP VOLTAGE, MAX. (Vdc)	8	16	80	
DROP-OUT VOLTAGE (Vdc)	.5-5	1-10	5-50	
COIL RESISTANCE (OHMS $\pm 10\%$)	24	120	2000	

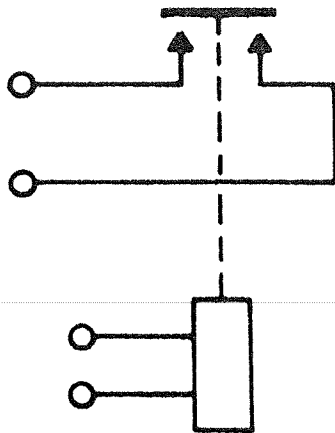
NOTES: RATINGS LISTED ARE FOR 25°C SEA LEVEL CONDITIONS.
RELAY BASE MUST BE GROUNDED.

* CONTACT RESISTANCE FOR GAS FILLED RELAYS IS MEASURED AT 28 VDC, 1 AMP.

DIMENSIONS IN INCHES (DIMENSIONS IN PARENTHESES ARE IN MILLIMETERS) TOLERANCES EXCEPT AS NOTED .xx = $\pm .03$.xxx = $\pm .010$ \angle x° = $\pm 2^\circ$ DO NOT SCALE DWG.			P.O. BOX 4422 Santa Barbara, CA 93140-4422	
	KC-28 SERIES			
	FSCM NO. 18741	SCALE NONE	SHEET 2	

THIS DRAWING AND THE DESIGN IT DISCLOSES ARE THE PROPERTY OF KILOVAC
 AND IT IS ISSUED IN CONFIDENCE FOR ENGINEERING INFORMATION ONLY.
 THE DESIGN AND/OR DESIGN MAY NOT BE REPRODUCED, ENCLOSED TO OUTSIDE,
 OR USED FOR ANY OTHER PURPOSE WITHOUT THE PRIOR EXPRESS CONSENT OF
 KILOVAC. THE DESIGN IS LOCATED FOR CONTROL PURPOSES AND IS SUBJECT TO
 CHANGE AT ANY TIME.

REV.
A



SCHEMATIC

DIMENSIONS IN INCHES
 (DIMENSIONS IN PARENTHESES ARE IN
 MILLIMETERS)
**TOLERANCES EXCEPT AS
 NOTED:**

- .XX = ± .03
- .XXX = ± .010
- ∠ X° = ± 2°

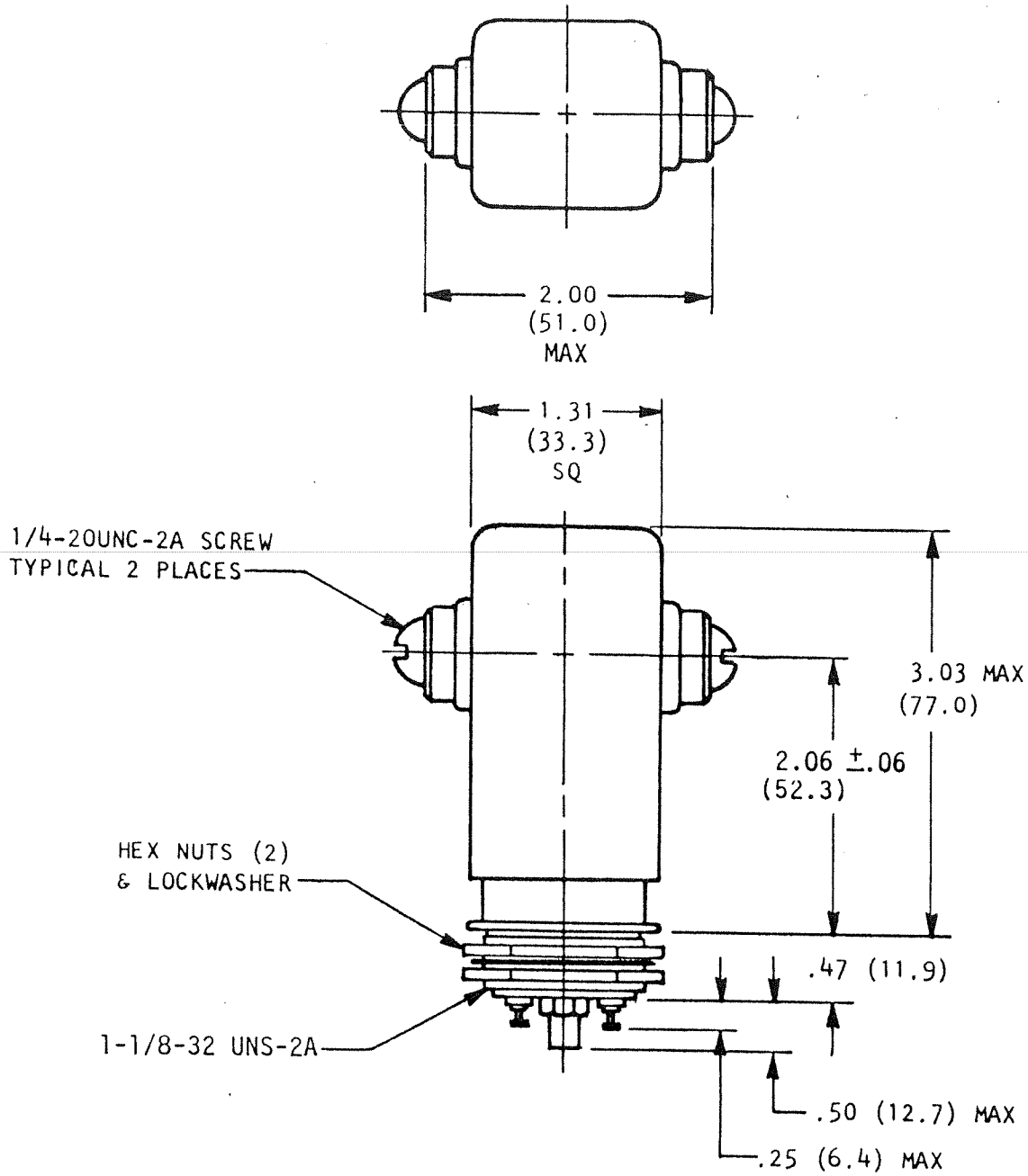
Kilovac®
 CORPORATION
 P.O. BOX 4422 SANTA BARBARA, CA., U.S.A.

DWG. NO. **KC-28 SERIES**

CODE IDENT. NO. 18741	SCALE NONE	SHEET 3
--------------------------	---------------	------------

THIS DRAWING AND THE DESIGN IT DISCLOSES ARE THE PROPERTY OF KILOVAC CORP. AND IT IS ISSUED IN CONFIDENCE FOR ENGINEERING INFORMATION ONLY. THE DRAWING AND OR DESIGN MAY NOT BE REPRODUCED, DISCLOSED TO OUTSIDERS, OR USED FOR ANY OTHER PURPOSE WITHOUT THE PRIOR EXPRESS CONSENT OF KILOVAC. THE DRAWING IS LOANED FOR MUTUAL ASSISTANCE AND IS SUBJECT TO RECALL AT ANY TIME.

REV.
C



DIMENSIONS IN INCHES
(DIMENSIONS IN PARENTHESES ARE IN
MILLIMETERS)

TOLERANCES EXCEPT AS NOTED

.xx = ± .03

.xxx = ± .010

∠ x° = ± 2°

DO NOT SCALE DWG.

Kilovac
Corporation

P.O. BOX 4422
Santa Barbara, CA 93140-4422

KC-28 SERIES

FSCM NO.

18741

SCALE

NONE

SHEET

4