

171353-4 ✓ ACTIVE

AMP-TY

TE Internal #: 171353-4

Cable Ties, Standard, Bag, 133.5Newton Tensile Strength, 30lbf Tensile Strength, Cable Tie Length 186 mm [7.3 in], Cable Tie Width .157 in [4 mm]

[View on TE.com >](#)



Wire & Cable > Wire & Cable Accessories > Cable Ties



Cable Tie Style: **Standard**

Cable Tie Packaging Method: **Bag**

Tensile Strength: **30 lbf**

Cable Tie Length: **186 mm [ 7.3 in ]**

## Features

### Product Type Features

|                  |           |
|------------------|-----------|
| Product Type     | Cable Tie |
| Cable Tie Style  | Standard  |
| Tensile Strength | 30 lbf    |

### Body Features

|                    |         |
|--------------------|---------|
| Cable Tie Color    | Natural |
| Cable Tie Material | Nylon   |

### Dimensions

|                       |                           |
|-----------------------|---------------------------|
| Bundle Range Diameter | 3 – 44 mm [.12 – 1.73 in] |
| Cable Tie Length      | 186 mm [7.3 in]           |
| Cable Tie Width       | 4 mm [.157 in]            |
| Cable Tie Thickness   | 1.2 mm [.047 in]          |

### Industry Standards

|                        |          |
|------------------------|----------|
| UL Flammability Rating | UL 94V-0 |
|------------------------|----------|

### Packaging Features

|                              |     |
|------------------------------|-----|
| Cable Tie Packaging Method   | Bag |
| Cable Tie Packaging Quantity | 100 |

## Product Compliance

[For compliance documentation, visit the product page on TE.com>](#)

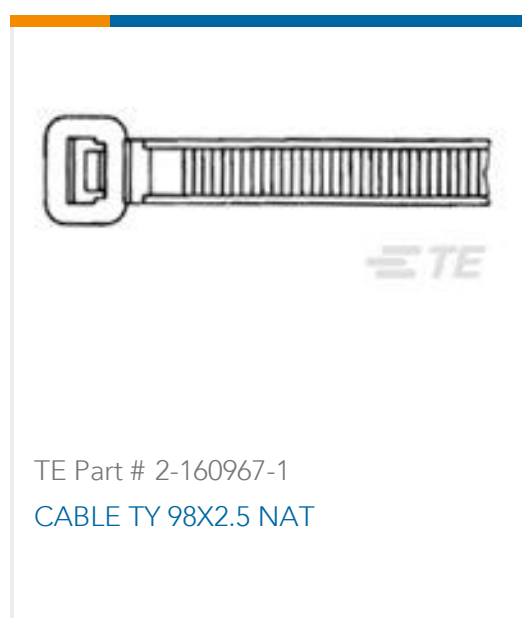


|   |   |
|---|---|
| EU RoHS Directive 2011/65/EU                  | Not Yet Reviewed  |
| EU ELV Directive 2000/53/EC                   | Compliant   |
| China RoHS 2 Directive MIIT Order No 32, 2016 | No Restricted Materials Above Threshold   |
| EU REACH Regulation (EC) No. 1907/2006        | Current ECHA Candidate List: JUN 2020 (209)<br>Candidate List Declared Against: JUN 2016 (169)<br>SVHC > Threshold:<br>Not Yet Reviewed |
| Halogen Content                               | Not Yet Reviewed for halogen content  |
| Solder Process Capability                     | Not applicable for solder process capability  |

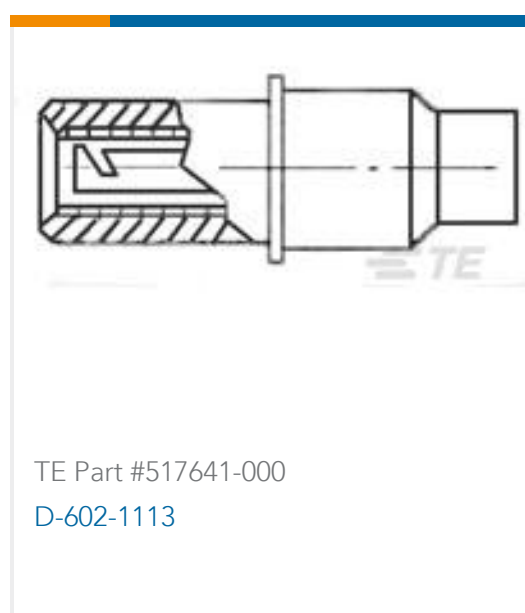
Product Compliance Disclaimer

This information is provided based on reasonable inquiry of our suppliers and represents our current actual knowledge based on the information they provided. This information is subject to change. The part numbers that TE has identified as EU RoHS compliant have a maximum concentration of 0.1% by weight in homogenous materials for lead, hexavalent chromium, mercury, PBB, PBDE, DBP, BBP, DEHP, DIBP, and 0.01% for cadmium, or qualify for an exemption to these limits as defined in the Annexes of Directive 2011/65/EU (RoHS2). Finished electrical and electronic equipment products will be CE marked as required by Directive 2011/65/EU. Components may not be CE marked. Additionally, the part numbers that TE has identified as EU ELV compliant have a maximum concentration of 0.1% by weight in homogenous materials for lead, hexavalent chromium, and mercury, and 0.01% for cadmium, or qualify for an exemption to these limits as defined in the Annexes of Directive 2000/53/EC (ELV). Regarding the REACH Regulations, TE's information on SVHC in articles for this part number is still based on the European Chemical Agency (ECHA) 'Guidance on requirements for substances in articles' (Version: 2, April 2011), applying the 0.1% weight on weight concentration threshold at the finished product level. TE is aware of the European Court of Justice ruling of September 10th, 2015 also known as O5A (Once An Article Always An Article) stating that, in case of 'complex object', the threshold for a SVHC must be applied to both the product as a whole and simultaneously to each of the articles forming part of its composition. TE has evaluated this ruling based on the new ECHA "Guidance on requirements for substances in articles" (June 2017, version 4.0) and will be updating its statements accordingly.

### Compatible Parts



### Customers Also Bought



## Documents

[Product Drawings](#)  
[BINDER CABLE TIES](#)

English