

171353-7 ✓ ACTIVE

AMP-TY

TE Internal #: 171353-7

Cable Ties, Standard, Bag, 222.5Newton Tensile Strength, 50lbf Tensile Strength, Cable Tie Length 365 mm [14.4 in], Cable Tie Width .197 in [5 mm]

[View on TE.com >](#)



Wire & Cable > Wire & Cable Accessories > Cable Ties



Cable Tie Style: **Standard**

Cable Tie Packaging Method: **Bag**

Tensile Strength: **50 lbf**

Cable Tie Length: **365 mm [14.4 in]**

Features

Product Type Features

Product Type	Cable Tie
Cable Tie Style	Standard
Tensile Strength	50 lbf

Body Features

Cable Tie Color	Natural
Cable Tie Material	Nylon

Dimensions

Bundle Range Diameter	10 – 100 mm [.39 – 3.93 in]
Cable Tie Length	365 mm [14.4 in]
Cable Tie Width	5 mm [.197 in]
Cable Tie Thickness	1.3 mm [.051 in]

Industry Standards

UL Flammability Rating	UL 94V-0
------------------------	----------

Packaging Features

Cable Tie Packaging Method	Bag
Cable Tie Packaging Quantity	100

Product Compliance

[For compliance documentation, visit the product page on TE.com>](#)




EU RoHS Directive 2011/65/EU	Not Yet Reviewed
EU ELV Directive 2000/53/EC	Compliant
China RoHS 2 Directive MIIT Order No 32, 2016	No Restricted Materials Above Threshold
EU REACH Regulation (EC) No. 1907/2006	Current ECHA Candidate List: JUN 2020 (209) Candidate List Declared Against: JUN 2016 (169) SVHC > Threshold: Not Yet Reviewed
Halogen Content	Not Yet Reviewed for halogen content
Solder Process Capability	Not applicable for solder process capability

Product Compliance Disclaimer

This information is provided based on reasonable inquiry of our suppliers and represents our current actual knowledge based on the information they provided. This information is subject to change. The part numbers that TE has identified as EU RoHS compliant have a maximum concentration of 0.1% by weight in homogenous materials for lead, hexavalent chromium, mercury, PBB, PBDE, DBP, BBP, DEHP, DIBP, and 0.01% for cadmium, or qualify for an exemption to these limits as defined in the Annexes of Directive 2011/65/EU (RoHS2). Finished electrical and electronic equipment products will be CE marked as required by Directive 2011/65/EU. Components may not be CE marked. Additionally, the part numbers that TE has identified as EU ELV compliant have a maximum concentration of 0.1% by weight in homogenous materials for lead, hexavalent chromium, and mercury, and 0.01% for cadmium, or qualify for an exemption to these limits as defined in the Annexes of Directive 2000/53/EC (ELV). Regarding the REACH Regulation, the information TE provides on SVHC in articles for this part number is based on the latest European Chemicals Agency (ECHA) 'Guidance on requirements for substances in articles' posted at this URL: <https://echa.europa.eu/guidance-documents/guidance-on-reach>

Compatible Parts



TE Part # 2-160967-1
CABLE TY 98X2.5 NAT

Customers Also Bought



TE Part #2273089-3
M12 A-CODE FEMALE R/A PIGTAIL



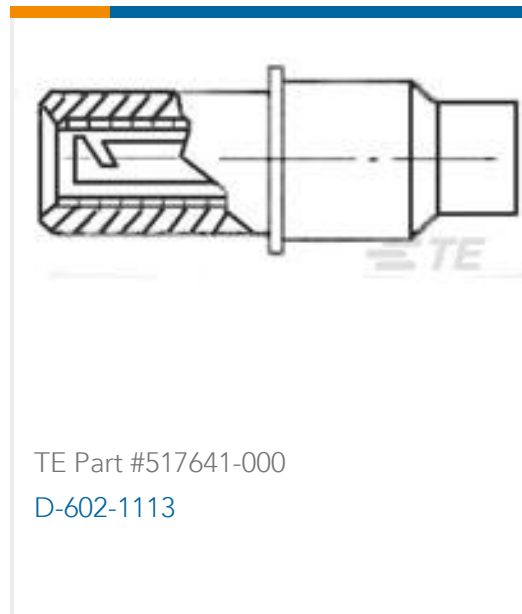
TE Part #1-2308107-0
DDR4 DIMM SOCKETS



TE Part #2-1623730-1
Wirewound Resistor: Vertical Mount



TE Part #2-1623789-7
Wirewound Resistor: Vertical Mount



Documents

Product Drawings

AMP CABLE TIES & BUNDLING

English