



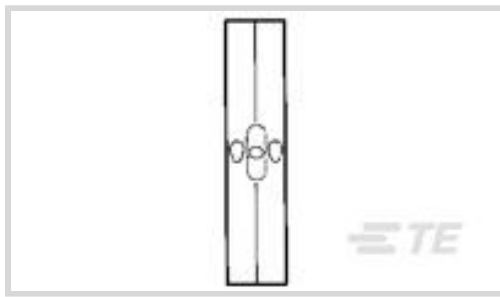
SOLISTRAND

TE Internal #: 1958370-1

Splices, Splice, Splice, 22 – 16AWG Wire Size, .3 – 1.42mm² Wire Size, Sight Hole, Barrel Inside Diameter .061 in [1.54 mm]

[View on TE.com >](#)

Terminals & Splices > Splices



Splice Product Type: **Splice**

Terminal & Splice Type: **Splice**

Wire Size: **.3 – 1.42 mm²**

Sealable: **No**

Features

Product Type Features

| | |
|------------------------|--------------------------|
| Barrel Style | Standard |
| Splice Product Type | Splice |
| Sealable | No |
| Splice Type | Butt Splice |
| Serrated | Yes |
| Splice Accessory Type | Splice |
| Splice Barrel Type | Closed Barrel |
| Splice Wire/Cable Type | Regular Wire |
| Insulated | No |
| Support Style | Non - Insulation Support |

Body Features

| | |
|------------------|------------|
| Plating Material | Tin |
| Splice Features | Sight Hole |
| Splice Material | Copper |

Contact Features

| | |
|---------------------------|---------|
| Contact Plating Material | Tin |
| Contact Plating Thickness | 2.54 μm |
| Terminal & Splice Type | Splice |

Termination Features

| | |
|--|--|
| | |
|--|--|



| | |
|--------------------|------------|
| Termination Method | Stud Mount |
|--------------------|------------|

Mechanical Attachment

| | |
|-------------------------|---------|
| Wire Insulation Support | Without |
|-------------------------|---------|

Dimensions

| | |
|------------------------------|---------------------|
| | .141 in |
| Barrel Inside Diameter (Min) | 1.5 mm[.061 in] |
| Wire Size | 3.248 – 4.872 kcmil |
| Barrel Inside Diameter | 1.54 mm[.061 in] |
| Splice Material Thickness | .84 mm[.033 in] |
| Splice Overall Length | 14.68 mm[.578 in] |

Usage Conditions

| | |
|-----------------------------|----------------|
| Insulation Requirement | Uninsulated |
| High Temperature Rating | 170 °C[338 °F] |
| Operating Temperature Range | 170 °C[338 °F] |

Operation/Application

| | |
|------------|----|
| Heavy Duty | No |
|------------|----|

Industry Standards

| | |
|-----------------------------|----|
| Government Qualified Splice | No |
|-----------------------------|----|

Packaging Features

| | |
|-------------------------|-------------|
| Packaging Quantity | 20000 |
| Splice Packaging Method | Loose Piece |

Other

| | |
|-------------------|----|
| Military Category | No |
|-------------------|----|

Product Compliance

[For compliance documentation, visit the product page on TE.com>](#)

| | |
|---|--|
| EU RoHS Directive 2011/65/EU | Compliant |
| EU ELV Directive 2000/53/EC | Compliant |
| China RoHS 2 Directive MIIT Order No 32, 2016 | No Restricted Materials Above Threshold |
| EU REACH Regulation (EC) No. 1907/2006 | Current ECHA Candidate List: JAN 2021 (211) Candidate List Declared Against: JUN 2020 (209) |



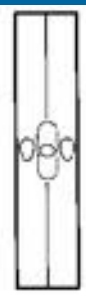
SVHC > Threshold:
Not Yet Reviewed

| | |
|---------------------------|--|
| Halogen Content | Not Yet Reviewed for halogen content |
| Solder Process Capability | Not applicable for solder process capability |

Product Compliance Disclaimer

This information is provided based on reasonable inquiry of our suppliers and represents our current actual knowledge based on the information they provided. This information is subject to change. The part numbers that TE has identified as EU RoHS compliant have a maximum concentration of 0.1% by weight in homogenous materials for lead, hexavalent chromium, mercury, PBB, PBDE, DBP, BBP, DEHP, DIBP, and 0.01% for cadmium, or qualify for an exemption to these limits as defined in the Annexes of Directive 2011/65/EU (RoHS2). Finished electrical and electronic equipment products will be CE marked as required by Directive 2011/65/EU. Components may not be CE marked. Additionally, the part numbers that TE has identified as EU ELV compliant have a maximum concentration of 0.1% by weight in homogenous materials for lead, hexavalent chromium, and mercury, and 0.01% for cadmium, or qualify for an exemption to these limits as defined in the Annexes of Directive 2000/53/EC (ELV). Regarding the REACH Regulation, the information TE provides on SVHC in articles for this part number is based on the latest European Chemicals Agency (ECHA) 'Guidance on requirements for substances in articles' posted at this URL: <https://echa.europa.eu/guidance-documents/guidance-on-reach>

Compatible Parts



TE Part # 1958371-1
SOLIS,SPLICE,BUTT,16-14,W/SH,A

Customers Also Bought



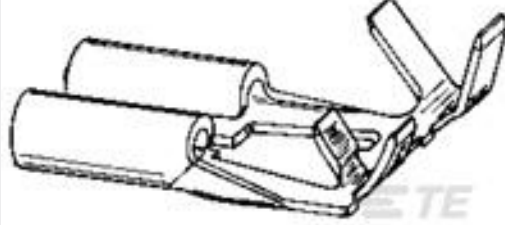
TE Part #144270-4
HE13/HE14 IDC Receptacle, SRRA, AWG24



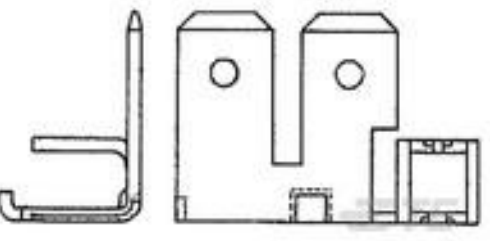
TE Part #2150441-2
OCEAN_2.0_Applicator-E-090F140F



TE Part #454575-2
BLADE, SHEAR



TE Part #160871-6
FF 250 REC TERMINAL FLAG 20-17 TPBR



TE Part #444070-2
TERMINAL BOARD INS DISPLAC 6.3 TAB BR



TE Part #1380089-1
PL MKIII L.I.F 250 REC>1.0/2.5 MM2 BR



TE Part #521120-7
PL 250 HOUSING RECEPTACLE NYLON 6/6



TE Part #1380088-1
PL MKIII L.I.F 250 REC 0.5/1.0 MM2 BR



Documents

Product Drawings

SOLIS,SPLICE,BUTT,22-16,W/SH,ANNEALED

English