



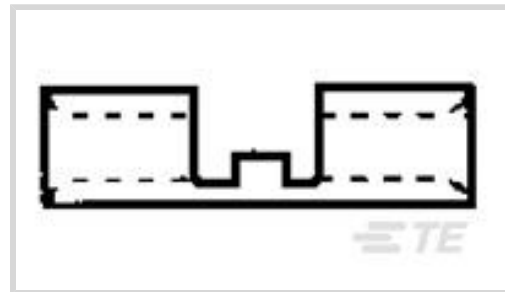
SOLISTRAND

TE Internal #: 2-323698-1

Splices, Splice, Splice, 12 – 10AWG Wire Size, 3 – 6mm² Wire Size, Strap, Barrel Inside Diameter .134 in [3.4 mm], 5.18 – 13.1kcmil Wire Size

[View on TE.com >](#)

Terminals & Splices > Splices



Splice Product Type: **Splice**

Terminal & Splice Type: **Splice**

Wire Size: **3 – 6 mm²**

Sealable: **No**

Features

Product Type Features

Splice Product Type	Splice
Sealable	No
Splice Type	Butt Splice
Serrated	Yes
Splice Accessory Type	Splice
Splice Barrel Type	Closed Barrel
Splice Wire/Cable Type	Regular Wire
Insulated	No
Support Style	Non - Insulation Support

Body Features

Plating Material	Unplated
Splice Features	Strap
Splice Material	Nickel
Splice Color	Orange

Contact Features

Terminal & Splice Type	Splice
------------------------	--------

Mechanical Attachment

Wire Insulation Support	Without
-------------------------	---------

Dimensions



Wire Size	5.18 – 13.1 kcmil
Barrel Inside Diameter	3.4 mm[.134 in]
Splice Material Thickness	1.07 mm[.042 in]
Splice Overall Length	19.43 mm[.765 in]

Usage Conditions

Insulation Requirement	Uninsulated
High Temperature Rating	649 °C[1200 °F]
Operating Temperature Range	170 °C[338 °F]

Operation/Application

Heavy Duty	No
------------	----

Industry Standards

Government Qualified Splice	No
-----------------------------	----

Packaging Features

Packaging Quantity	1
Splice Packaging Method	Loose Piece

Other

Military Category	No
-------------------	----

Product Compliance

[For compliance documentation, visit the product page on TE.com>](#)

EU RoHS Directive 2011/65/EU	Not Yet Reviewed
EU ELV Directive 2000/53/EC	Compliant
China RoHS 2 Directive MIIT Order No 32, 2016	No Restricted Materials Above Threshold
EU REACH Regulation (EC) No. 1907/2006	Current ECHA Candidate List: JAN 2021 (211) Candidate List Declared Against: JUN 2016 (169) SVHC > Threshold: Not Yet Reviewed
Halogen Content	Not Yet Reviewed for halogen content
Solder Process Capability	Not applicable for solder process capability

Product Compliance Disclaimer

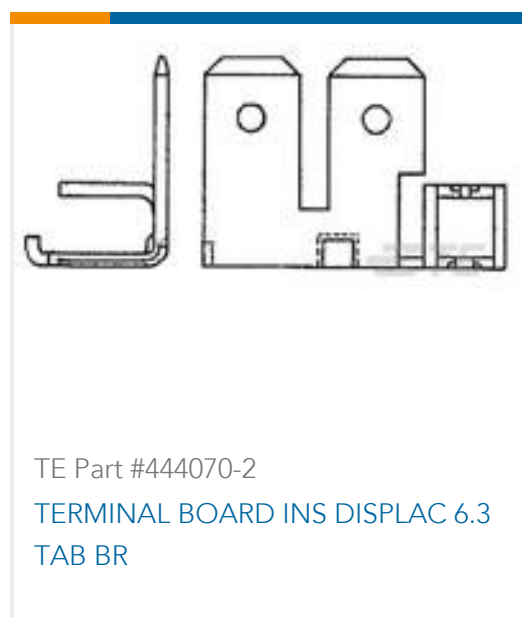
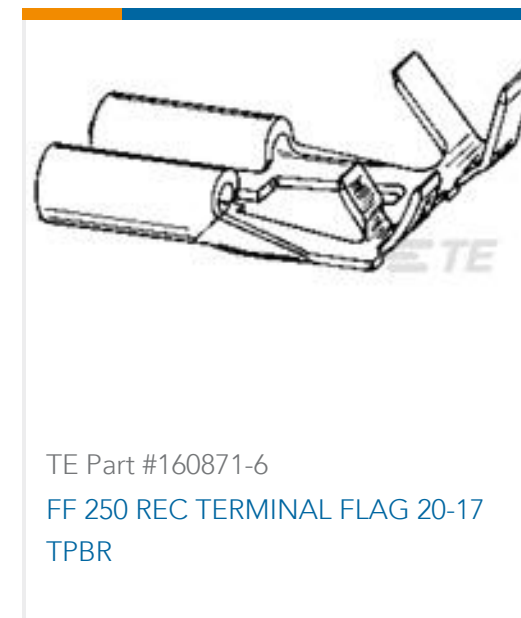
This information is provided based on reasonable inquiry of our suppliers and represents our current actual knowledge based on the information they provided. This information is subject to change. The part numbers that TE has identified as

EU RoHS compliant have a maximum concentration of 0.1% by weight in homogenous materials for lead, hexavalent chromium, mercury, PBB, PBDE, DBP, BBP, DEHP, DIBP, and 0.01% for cadmium, or qualify for an exemption to these limits as defined in the Annexes of Directive 2011/65/EU (RoHS2). Finished electrical and electronic equipment products will be CE marked as required by Directive 2011/65/EU. Components may not be CE marked. Additionally, the part numbers that TE has identified as EU ELV compliant have a maximum concentration of 0.1% by weight in homogenous materials for lead, hexavalent chromium, and mercury, and 0.01% for cadmium, or qualify for an exemption to these limits as defined in the Annexes of Directive 2000/53/EC (ELV). Regarding the REACH Regulations, TE's information on SVHC in articles for this part number is still based on the European Chemical Agency (ECHA) 'Guidance on requirements for substances in articles' (Version: 2, April 2011), applying the 0.1% weight on weight concentration threshold at the finished product level. TE is aware of the European Court of Justice ruling of September 10th, 2015 also known as O5A (Once An Article Always An Article) stating that, in case of 'complex object', the threshold for a SVHC must be applied to both the product as a whole and simultaneously to each of the articles forming part of its composition. TE has evaluated this ruling based on the new ECHA "Guidance on requirements for substances in articles" (June 2017, version 4.0) and will be updating its statements accordingly.

Compatible Parts



Customers Also Bought





Documents

Product Drawings

[BODY BRZD BUTT SPLICE 12-10](#)

English

CAD Files

Customer View Model

[ENG_CVM_2-323698-1_L.3d_igs.zip](#)

English

Customer View Model

[ENG_CVM_2-323698-1_L.3d_stp.zip](#)

English

Customer View Model

[ENG_CVM_2-323698-1_L.2d_dxf.zip](#)

English

[3D PDF](#)

English

By downloading the CAD file I accept and agree to the [Terms and Conditions](#) of use.