

The SP3 is a compact, economical stringpot that provides a user selectable 4-20 mA or 0-10 VDC output signal. Simply install this sensor using the handy mounting bracket and connect the appropriate wires for the desired output.

The SP3 is constructed with a rugged, water resistant polycarbonate body that has been compactly designed for tight spaces and generous measuring cable misalignment. With 4 different ranges, the SP3 is a perfect solution for many applications from light industrial to OEM. Just like all of our other SP and SE models.

SP3

Compact String Pot | 4 - 20mA / 0 - 10VDC

Linear Position to 50 inches (1270 mm)

User Selectable Output: 4–20 mA or 0–10 VDC

40-in. Electrical Cable | Free-Release Tolerant

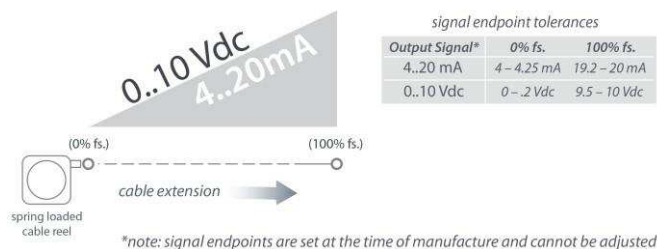
SPECIFICATIONS

Free Stroke Range Options	0-4.75, 0-12.5, 0-25, 0-50 inches
User Selectable Output Signal	4 - 20 mA (2-wire) / 0 - 10 VDC
Input Voltage, 4 - 20 mA option	8-40 VDC
Input Voltage, 0 - 10 VDC option	12-32 VDC
Accuracy	±0.25% to ±1.00% FS. (see ordering info)
Repeatability	± 0.05% full stroke
Resolution	essentially infinite
Measuring Cable	.019-inch dia. nylon-coated stainless steel
Maximum Cable Tension	7 oz. (1,9 N) ±25%
Measuring Cable Acceleration	15 g
Enclosure Material	Polycarbonate
Sensor	Plastic-hybrid precision potentiometer
Weight	5 oz. (w/o mounting bracket) max.

Environmental

Enclosure	IP 50
Operating Temperature	0° to 160°F (-18° to 71°C)
Vibration	up to 10 g to 2000 Hz maximum

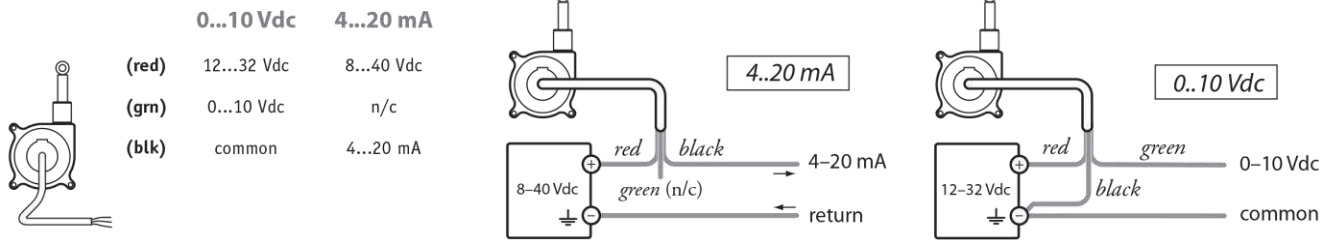
Output Signal:



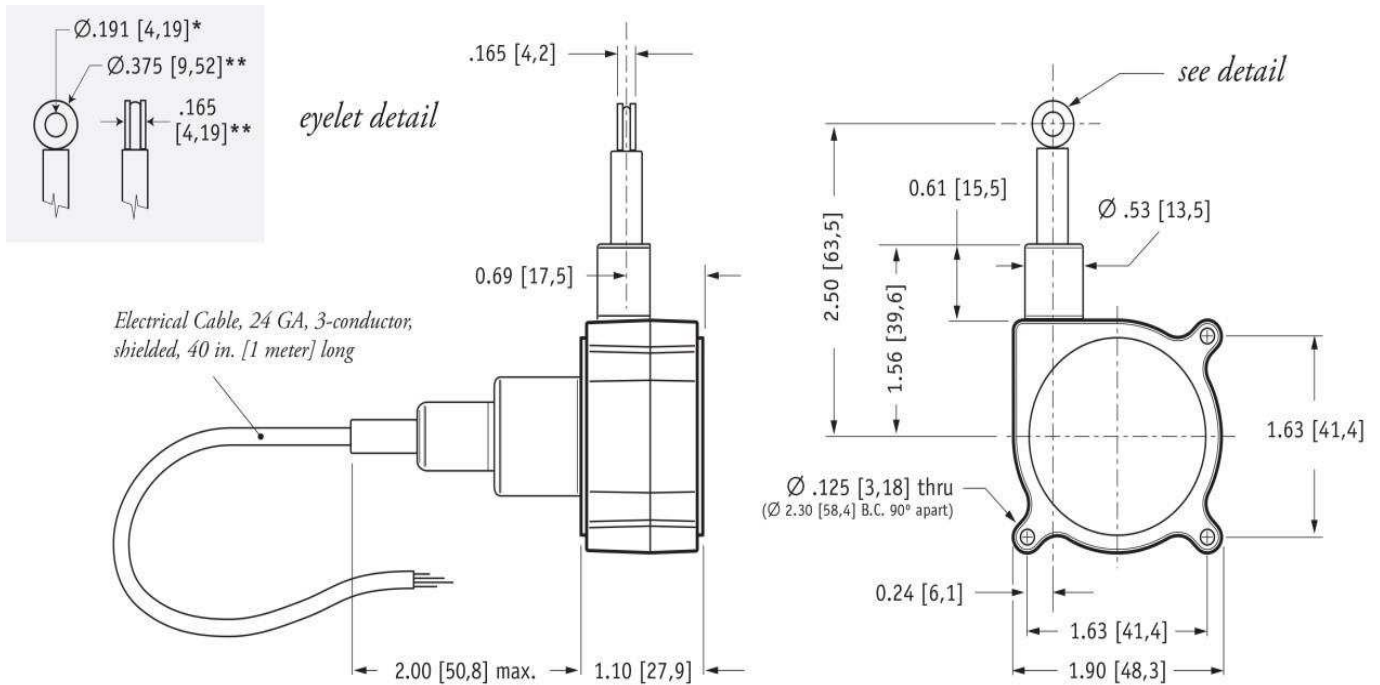
SP3

Compact String Pot | 4..20mA / 0..10Vdc

Electrical Connection:



Outline Drawing (w/o bracket):



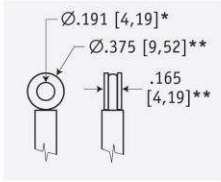
DIMENSIONS ARE IN INCHES [MM]
tolerances are 0.04 IN. [1,0 MM] unless otherwise noted.

* tolerance = +.005 - .001 [+0,1 -0,0]
** tolerance = +.005 - .005 [+0,1 -0,1]

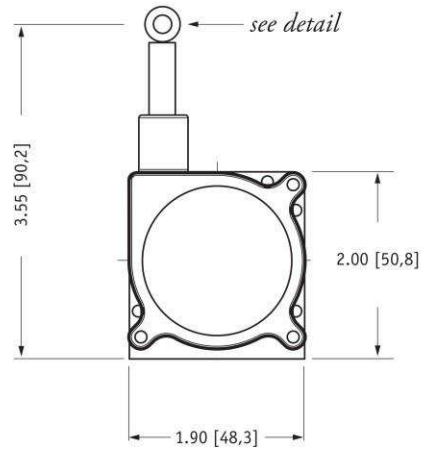
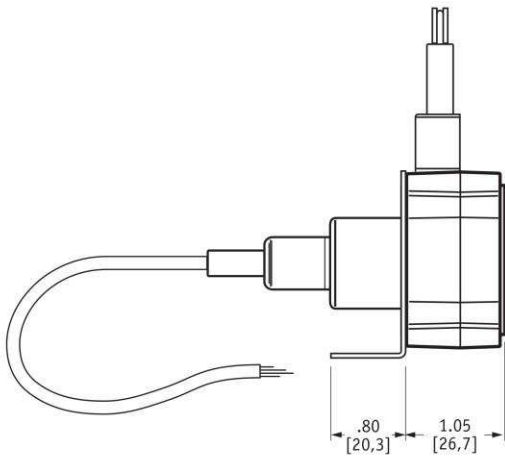
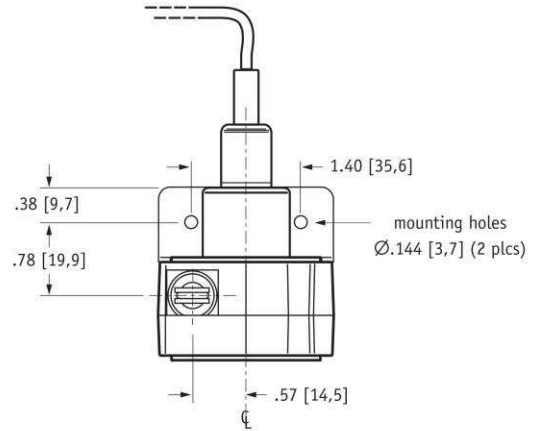
SP3

Compact String Pot | 4..20mA / 0..10Vdc

Outline Drawing (w/ bracket)

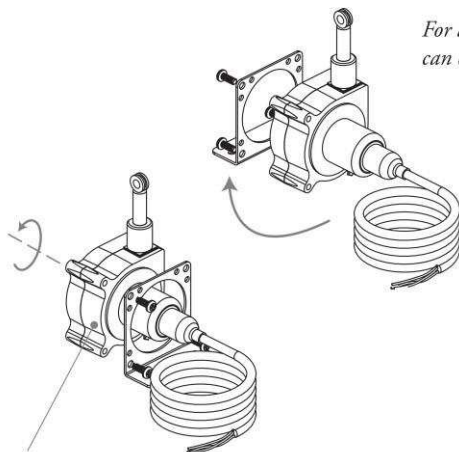


eyelet detail



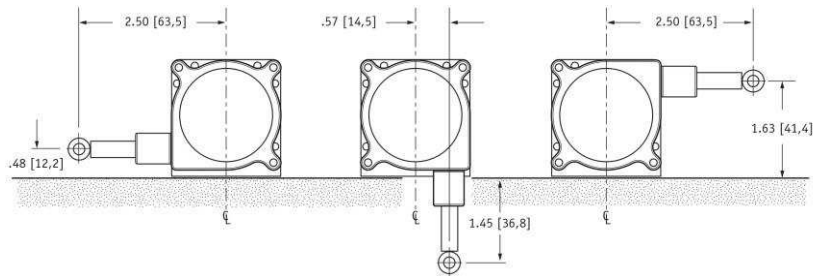
DIMENSIONS ARE IN INCHES [MM]
tolerances are 0.04 IN. [1,0 MM] unless otherwise noted.

* tolerance = +.005 -.001 [+0,1 -0,0]
** tolerance = +.005 -.005 [+0,1 -0,1]



To change measuring cable direction simply remove the 3 bracket attaching screws and rotate sensor body to desired direction.

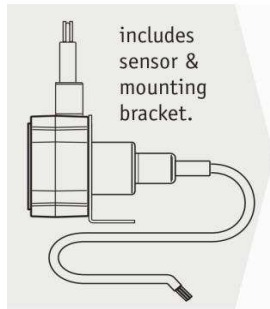
For added flexibility, mounting bracket can easily be switched to the opposite side.



SP3

Compact String Pot | 4..20mA / 0..10Vdc

Ordering Information



Part No.	full stroke range	accuracy (% of f.s.)	cycle life
SP3-4	4.75 in (120 mm)	1.00%	2.5M cycles
SP3-12	12.5 in (317 mm)	0.25%	500K cycles
SP3-25	25 in (635 mm)	0.25%	500K cycles
SP3-50	50 in (1270 mm)	0.25%	250K cycles

[CLICK HERE >](#)

CONNECT WITH A SPECIALIST

NORTH AMERICA

Tel +1 800 522 6752

EUROPE

Tel +31 73 624 6999

ASIA

Tel +86 0400 820 6015

te.com/sensors

TE Connectivity, TE, TE Connectivity (logo) and Every Connection Counts are trademarks. All other logos, products and/or company names referred to herein might be trademarks of their respective owners.

The information given herein, including drawings, illustrations and schematics which are intended for illustration purposes only, is believed to be reliable. However, TE Connectivity makes no warranties as to its accuracy or completeness and disclaims any liability in connection with its use. TE Connectivity's obligations shall only be as set forth in TE Connectivity's Standard Terms and Conditions of Sale for this product and in no case will TE Connectivity be liable for any incidental, indirect or consequential damages arising out of the sale, resale, use or misuse of the product. Users of TE Connectivity products should make their own evaluation to determine the suitability of each such product for the specific application.

© 2021 TE Connectivity Corporation. All Rights Reserved.

Version # 08/2023

