

HTCM-SCE-TP Cable Marker

HTCM-SCE-TP Cable Markers are flat, non-adhesive labels that can be used to identify large cables and wire bundles in particularly aggressive environments. Cable markers can be applied post cable termination using cable ties.

Manufactured using a specially developed radiation cross-linked polyvinylidene polymer. Formulated to give **High Temperature**, and **Low Out Gassing** performance which allows this product to be used in extreme environments, including space. Suitable for Military, Aerospace and heavy industrial applications.

The smooth surface is designed for thermal transfer printing.

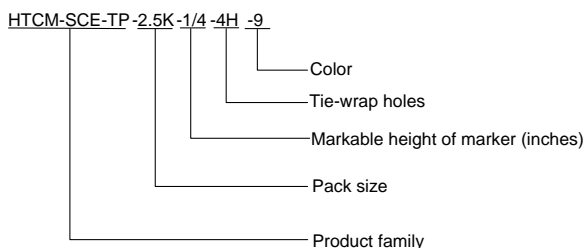
KEY FEATURES

- High Temperature Performance
- Low Vacuum Out Gassing Identification Marker - suitable for use on Spacecraft
- Self-extinguishing
- Resistant to key military, aviation and Industrial fluids (defined by RW-2524)
- Excellent resistance to burning

APPLICATIONS

- Post termination cable identification
- Identification of large cables, wire bundles or pipework
- Installation friendly – easy to replace, ideal for retrofitting and repairs. Only tie wraps are needed.
- Military, Aerospace, Mass transit, Heavy Industrial

PART DESCRIPTION



TEMPERATURE RATING

Operating Temperature Range -55°C to 225°C (-67°F to 437°F)

ENVIRONMENTAL

Does not contain any declarable or prohibited substances from the UNIFE Railway Industry Substances List

Does not promote mould growth (ASTM G21 – zero rating)

No evolution of substances which may corrode electrical conductors or contacts – up to 200°C (437°F)

Further information and a downloadable declaration covering RoHS and REACH compliance can be found at the 'TE Product Compliance Support Centre':

<http://www.te.com/en/resources/product-compliance.html>

SPECIFICATIONS / APPROVALS

TE Connectivity Standard

- RW-2524

Aerospace

- Airbus Directive ABD0031 Issue F
Fire worthiness requirements pressured section of fuselage (15 s horizontal test – AITM 2.0003)
- ASTM E 595 Standard Test Method for Total Mass Loss and Collected Volatile Condensable Materials from Outgassing in a Vacuum Environment

Military

- MIL STD 202G Method 215K Resistance to Solvents
- SAE AS 4952 Marking of Electrical Insulating Materials

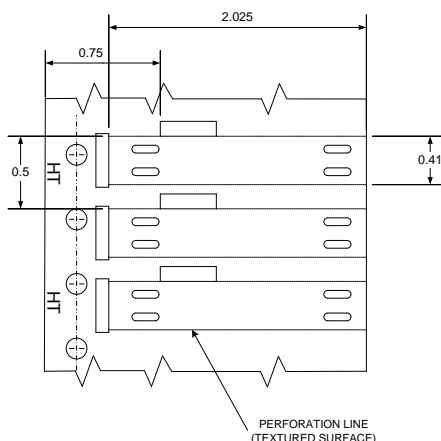
Mass Transit

- EN45545-2 'Hazard Classification 3' Requirement Set R24

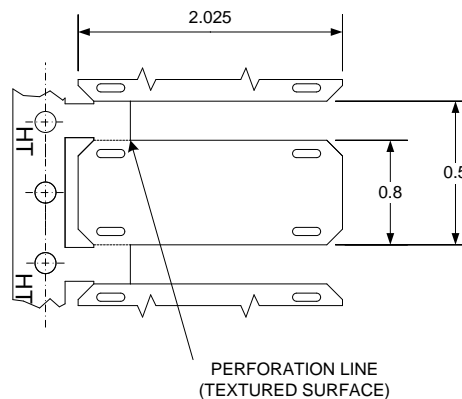
Where possible, TE have tested product as a finished item, including the print. Operational tests are followed by an assessment of mark adherence to validate fit form and function. Further details can be found in TE standard RW-2524.

ORDERING INFORMATION

AVAILABLE FORMATS



HTCM-SCE-TP-1/4 (4 hole)



HTCM-SCE-TP-1/2 (4 hole)
6 hole also available

All dimensions in inches

OPTIONS

Tie-wrap holes	1/4 - inch tags	Four holes standard
	1/2 - inch tags	Four holes Six holes
	Code	4H 6H
Package sizes	Standard	250 pieces
Colors	Standard	White
	Code	9
	Non standard	Yellow
	Code	4

Ordering information: Specify product name, pack size, height, pack size, number of tie wraps and color e.g. HTCM-SCE-2.5K-1/4-4H-9

PRINTER INFORMATION

Print Quality and Print Performance can only be guaranteed when specific TE printer and ribbons are used.

The current list of printers and ribbons can be found in TE document 411-121005 'Identification Printer Product Ribbon Matrix'

This document can be found at the TE document centre:
<http://www.te.com/commerce/DocumentDelivery/DDEController>

SOFTWARE

Cable Markers are fully supported by WINTOTAL and PrintEasy label printing software, available from the TE product store:

<http://www.te.com/en/general/label-printing-software.html>

Contact a TE representative for further information

While TE has made every reasonable effort to ensure the accuracy of the information in this document, TE does not guarantee that it is error-free, nor does TE make any other representation, warranty or guarantee that the information is accurate, correct, reliable or current. TE reserves the right to make any adjustments to the information contained herein at any time without notice. TE expressly disclaims all implied warranties regarding the information contained herein, including, but not limited to, any implied warranties of merchantability or fitness for a particular purpose. The dimensions in this document are for reference purposes only and are subject to change without notice. Specifications are subject to change without notice. Consult TE for the latest dimensions and design specifications.

*Trademark. TE Connectivity, TE connectivity (logo), and TE (logo) are trademarks. Other logos, product and/or company names may be trademarks of their respective owners.