



TMS-CCUV-CT

Clear Continuous Protective Sleeve

PART OF THE HEAT SHRINK IDENTIFICATION SYSTEM

Technical Datasheet

TTDS-284 Revision 1 - Nov' 2023

TMS-CCUV-CT is a continuous version of the TMS-CCUV protective sleeve, it can be used in combination with the printable identification sleeves available from TE connectivity, e.g. TMS-CT.

The protective sleeve is manufactured using a specially developed radiation cross-linked clear material. Manufactured with e-beam technology it gives users the ability to shrink the supplied tube with no damage to material. Shrinking the tube will ensure the printed sleeve is fully protected from harsh environments, UV and has a firm hold on the wire.

TMS-CCUV-CT is available in a selection of sizes all the way up to 38.1mm (1.5inch) and is UL 224 VW-1 rated.

The CCUV protective sleeve should be cut to a length approximately 15mm longer than the printed identification sleeve and centred over the printed sleeve when shrunk to ensure good optimum protection.

Features

- Self Extinguishing, non-flame propagating.
- UL VW-1 rated
- Resistant to industrial fluids (defined by TE specification RW-2525)
- UV Resistant
- Sleeve diameters from 4.8mm to 38.1mm
- Shrink ratio 2:1

Design for Environment

- TMS-CCUV-CT fully complies with 2011/65/EU RoHS II directive, and Regulation (EC) number 1907/2006 (REACH)

Further information and a downloadable declaration covering RoHS and REACH compliance can be found at the TE Product Compliance Support Centre:

<http://www.te.com/usa-en/utilities/product-compliance.html>

Temperature Rating

- Operating Temperature Range -55°C to 150°C (-67°F to 302°F)

Applications



Specifications / Approvals

TE Connectivity Standard RW-2525

UL UL224 VW-1

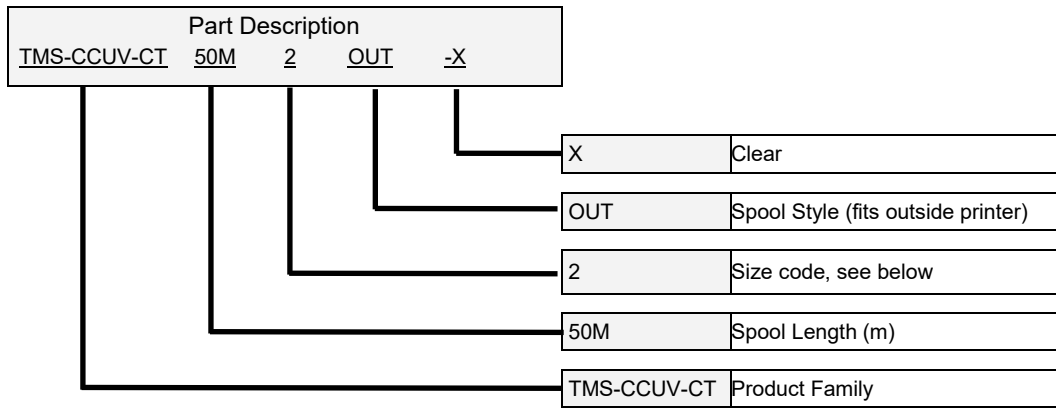
Performance

- Performance to SAE-AMS-DTL-23053/18, Class 2

Where possible, TE have tested product as a finished item to validate fit, form and function. Further details can be found in TE standard RW-2525

TMS-CCUV-CT

Clear Protective Sleeve



Available Options

Spool Style	OUT	Spool does not fit in printers, recommend TE Connectivity PRINTER-UNIVERSAL-REEL-HOLDER, Part Number EC9926-000, reference TTDS-259
Colors	Clear Only	
	Code	X

Specify Product Family, Spool Length, Expanded Inside Diameter, OUT and Color

Ordering Example: TMS-CCUV-CT-50M-2-OUT-X

Ordering Information

Ordering description	Part No.	Inside diameter				Recommended cable diameter use range		Spool lengths m (ft)
		As supplied (minimum)		After recovery (Maximum)		mm	inches	
		mm	inches	mm	inches			
TMS-CCUV-CT - 50M - 2 - OUT - X	ES1452-000	4.8	0.189	2.4	0.094	2.54 to 4.06	0.098 to 0.151	50 (164)
TMS-CCUV-CT - 50M - 3 - OUT - X	ES1454-000	6.4	0.250	3.2	0.126	3.81 to 5.46	0.130 to 0.201	50 (164)
TMS-CCUV-CT - 50M - 4 - OUT - X	ES1456-000	9.5	0.375	4.8	0.189	5.23 to 8.12	0.193 to 0.299	50 (164)
TMS-CCUV-CT - 50M - 5 - OUT - X	ES1458-000	12.7	0.500	6.4	0.250	6.99 to 10.8	0.256 to 0.402	50 (164)
TMS-CCUV-CT - 50M - 6 - OUT - X	ES1460-000	19.1	0.750	9.5	0.375	10.2 to 16.3	0.378 to 0.602	50 (164)
TMS-CCUV-CT - 50M - 7 - OUT - X	ES1462-000	25.4	1.000	12.7	0.50	14.3 to 21.6	0.504 to 0.799	50 (164)
TMS-CCUV-CT - 50M - 8 - OUT - X	ES1464-000	38.1	1.500	19.1	0.75	21.0 to 33.0	0.756 to 1.201	50 (164)



www.te.com

TE Connectivity, TE Connectivity (logo) and Every Connection Counts are trademarks. All other logos, products and/or company names referred to herein might be trademarks of their respective owners.

The information given herein, including drawings, illustrations and schematics which are intended for illustration purposes only, is believed to be reliable. However, TE Connectivity makes no warranties as to its accuracy or completeness and disclaims any liability in connection with its use. TE Connectivity's obligations shall only be as set forth in TE Connectivity's Standard Terms and Conditions of Sale for this product and in no case will TE Connectivity be liable for any incidental, indirect or consequential damages arising out of the sale, resale, use or misuse of the product. Users of TE Connectivity products should make their own evaluation to determine the suitability of each such product for the specific application.

© 2023 TE Connectivity Ltd. family of companies All Rights Reserved.