



CONNECTOR GASKETS FOR RFI/EMI SHIELDING

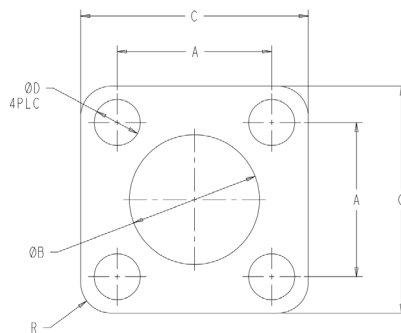


Product Overview

Kemtron Limited (Kemtron), now part of TE Connectivity, manufactures a range of gaskets to suit many standard size connectors which require an EMI/RFI gasket with optional environmental seals or sealing. The choice of materials is vast and connector gaskets are available from virtually all of the flat sheet EMI materials manufactured by Kemtron. Listed below are a range of gaskets available from our own tools, including a list of the more common materials and thicknesses. If those listed below do not meet with your exact requirements, we would be pleased to manufacture gaskets to your own design using inexpensive tooling.

Material Codes

Test Specification/Material Code	Silicone Nickel Graphite (SNG)	Silicone Silver Aluminum (SSA)	Fluorosilicone Nickel Graphite (FNG)	Fluorosilicone Silver Aluminum (FSA)
Recommended operating temperature range (°C)	-55 to 160	-55 to 160	-55 to 160	-55 to 160
Specific Gravity +/- 13%	2.000	2.000	2.200	2.000
Shore A Hardness +/- 7	65	65	65	70
Maximum Volume Resistivity ($\Omega \cdot \text{CM}$)	0.05	0.008	0.05	0.012



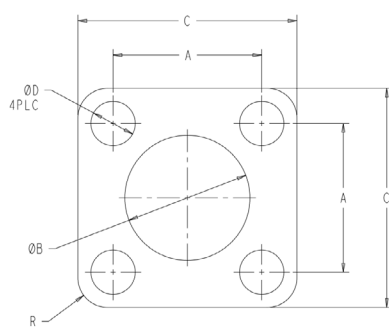
92-Part Numbers - MIL-DTL-5015

MATERIAL	SHELL SIZE	A (mm)	B (mm)	C (mm)	D (mm)	Radius (mm)	PART NUMBER
FSA	8	15.09	12.7	22.23	4.5	3	2424017-1
FSA	10	18.26	15.88	25.4	4.5	3	2424018-1
FSA	12	20.65	19.05	27.79	4.5	4	2424019-1
FSA	14	23.01	22.23	30.18	4.5	5	2424020-1
FSA	16	24.61	25.4	32.54	4.5	5.5	2424021-1
FSA	18	26.97	28.58	34.93	5	4.5	2424022-1
FSA	20	29.36	31.75	38.1	5	4.5	2424023-1
FSA	22	31.75	34.93	41.28	5	4.5	2424024-1
FSA	24	34.93	38.1	44.45	5.5	4.5	2424025-1
FSA	28	39.67	44.45	50.8	5.5	4.5	2424026-1
FSA	32	44.45	50.8	57.15	6	4.5	2424027-1
FSA	36	49.23	55.58	63.5	6	4.5	2424028-1
FSA	40	55.58	61.93	69.85	6	4.5	2424029-1
FSA	44	60.33	70.64	76.2	6	4.5	2424030-1
FSA	48	66.68	76.99	82.55	6	4.5	2424031-1
SSA	8	15.09	12.7	22.23	4.5	3	2423975-1
SSA	10	18.26	15.88	25.4	4.5	3	2423976-1
SSA	12	20.65	19.05	27.79	4.5	4	2423977-1
SSA	14	23.01	22.23	30.18	4.5	5	2423978-1
SSA	16	24.61	25.4	32.54	4.5	5.5	2423979-1
SSA	18	26.97	28.58	34.93	5	4.5	2423980-1
SSA	20	29.36	31.75	38.1	5	4.5	2423981-1
SSA	22	31.75	34.93	41.28	5	4.5	2423982-1
SSA	24	34.93	38.1	44.45	5.5	4.5	2423983-1
SSA	28	39.67	44.45	50.8	5.5	4.5	2423984-1
SSA	32	44.45	50.8	57.15	6	4.5	2423985-1
SSA	36	49.23	55.58	63.5	6	4.5	2423986-1
SSA	40	55.58	61.93	69.85	6	4.5	2423987-1
SSA	44	60.33	70.64	76.2	6	4.5	2423988-1
SSA	48	66.68	76.99	82.55	6	4.5	2423989-1
FNG	8	15.09	12.7	22.23	4.5	3	2423934-1
FNG	10	18.26	15.88	25.4	4.5	3	2423935-1
FNG	12	20.65	19.05	27.79	4.5	4	2423936-1
FNG	14	23.01	22.23	30.18	4.5	5	2423937-1
FNG	16	24.61	25.4	32.54	4.5	5.5	2423938-1
FNG	18	26.97	28.58	34.93	5	4.5	2423939-1
FNG	20	29.36	31.75	38.1	5	4.5	2423940-1
FNG	22	31.75	34.93	41.28	5	4.5	2423941-1
FNG	24	34.93	38.1	44.45	5.5	4.5	2423942-1
FNG	28	39.67	44.45	50.8	5.5	4.5	2423943-1
FNG	32	44.45	50.8	57.15	6	4.5	2423944-1
FNG	36	49.23	55.58	63.5	6	4.5	2423945-1
FNG	40	55.58	61.93	69.85	6	4.5	2423946-1
FNG	44	60.33	70.64	76.2	6	4.5	2423947-1
FNG	48	66.68	76.99	82.55	6	4.5	2423948-1
SNG	8	15.09	12.7	22.23	4.5	3	2423893-1
SNG	10	18.26	15.88	25.4	4.5	3	2423894-1
SNG	12	20.65	19.05	27.79	4.5	4	2423895-1
SNG	14	23.01	22.23	30.18	4.5	5	2423896-1
SNG	16	24.61	25.4	32.54	4.5	5.5	2423897-1
SNG	18	26.97	28.58	34.93	5	4.5	2423898-1
SNG	20	29.36	31.75	38.1	5	4.5	2423899-1
SNG	22	31.75	34.93	41.28	5	4.5	2423900-1
SNG	24	34.93	38.1	44.45	5.5	4.5	2423901-1
SNG	28	39.67	44.45	50.8	5.5	4.5	2423902-1
SNG	32	44.45	50.8	57.15	6	4.5	2423903-1
SNG	36	49.23	55.58	63.5	6	4.5	2423904-1
SNG	40	55.58	61.93	69.85	6	4.5	2423905-1
SNG	44	60.33	70.64	76.2	6	4.5	2423906-1
SNG	48	66.68	76.99	82.55	6	4.5	2423907-1

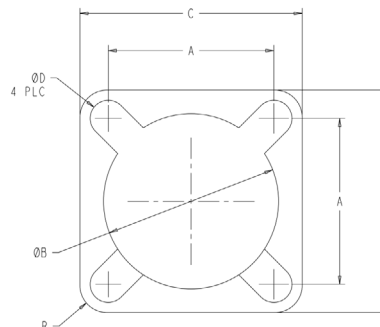
93-Part Numbers - MIL-DTL-38999

MATERIAL	SHELL SIZE	SERIES	A (mm)	B (mm)	C (mm)	D (mm)	Radius (mm)	PART NUMBER
FSA	25	III	38.1	44.7	47.63	4.5	5	2428016-1
FSA	25	I & IV	38.1	44.7	47.63	4.5	5	2424049-1
FSA	23/24	I, II & IV	34.93	41.53	44.45	4.5	5	2424047-1
FSA	23	III	34.93	41.53	44.45	4.5	5	2428012-1
FSA	21/22	I, II & IV	31.75	38.35	41.28	4	4	2424045-1
FSA	21	III	31.75	38.35	41.28	4	4	2428008-1
FSA	19/20	I, II & IV	29.36	35.18	38.1	4	4.5	2424043-1
FSA	19	III	29.36	35.18	38.1	4	4.5	2428004-1
FSA	17/18	I, II & IV	26.97	32.25	34.32	4	3.5	2424041-1
FSA	17	III	26.97	32.25	34.32	4	3.5	2428000-1
FSA	15/16	I, II & IV	24.61	29.05	31.95	4	3.5	2424039-1
FSA	15	III	24.61	29.05	31.95	4	3.5	2427996-1
FSA	13/14	I, II & IV	23.01	25.78	29.29	4	3.5	2424037-1
FSA	13	III	23.01	25.78	29.29	4	3.5	2427992-1
FSA	12/11	I & IV	20.62	22.48	26.92	4	3.5	2424035-1
FSA	11	III	20.62	22.48	26.92	4	3.5	2427988-1
FSA	10/9	I & II	18.26	19.3	24.51	4	3	2424033-1
FSA	9	III	18.26	19.3	24.51	4	3	2427984-1
FSA	8	II	15.09	16.25	21.34	4	1.5	2424032-1
SSA	25	III	38.1	44.7	47.63	4.5	5	2428014-1
SSA	25	I & IV	38.1	44.7	47.63	4.5	5	2424008-1
SSA	23/24	I, II & IV	34.93	41.53	44.45	4.5	5	2424006-1
SSA	23	III	34.93	41.53	44.45	4.5	5	2428010-1
SSA	21/22	I, II & IV	31.75	38.35	41.28	4	4	2424004-1
SSA	21	III	31.75	38.35	41.28	4	4	2428006-1
SSA	19/20	I, II & IV	29.36	35.18	38.1	4	4.5	2424002-1
SSA	19	III	29.36	35.18	38.1	4	4.5	2428002-1
SSA	17/18	I, II & IV	26.97	32.25	34.32	4	3.5	2423999-1
SSA	17	III	26.97	32.25	34.32	4	3.5	2427998-1
SSA	15/16	I, II & IV	24.61	29.05	31.95	4	3.5	2423997-1
SSA	15	III	24.61	29.05	31.95	4	3.5	2427994-1
SSA	13/14	I, II & IV	23.01	25.78	29.29	4	3.5	2423995-1
SSA	13	III	23.01	25.78	29.29	4	3.5	2427990-1
SSA	12/11	I, II & IV	20.62	22.48	26.92	4	3.5	2423993-1
SSA	11	III	20.62	22.48	26.92	4	3.5	2427986-1
SSA	10/9	I, II & IV	18.26	19.3	24.51	4	3	2423991-1
SSA	9	III	18.26	19.3	24.51	4	3	2427982-1
SSA	8	II	15.09	16.25	21.34	4	1.5	2423990-1

HOLE PROFILE (SERIES I, II & IV)



SLOT PROFILE (SERIES III)

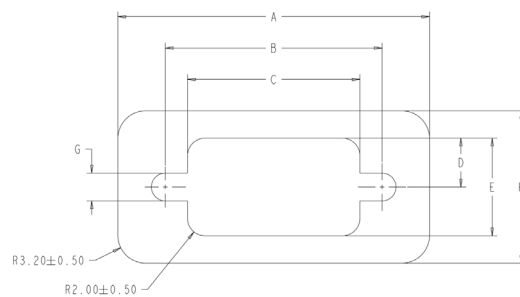


93-Part Numbers - MIL-DTL-38999

MATERIAL	SHELL SIZE	SERIES	A (mm)	B (mm)	C (mm)	D (mm)	Radius (mm)	PART NUMBER
FNG	25	III	38.1	44.7	47.63	4.5	5	2428015-1
FNG	25	I, II & IV	38.1	44.7	47.63	4.5	5	2423966-1
FNG	23/24	I, II & IV	34.93	41.53	44.45	4.5	5	2423964-1
FNG	23	III	34.93	41.53	44.45	4.5	5	2428011-1
FNG	21/22	I, II & IV	31.75	38.35	41.28	4	4	2423962-1
FNG	21	III	31.75	38.35	41.28	4	4	2428007-1
FNG	19/20	I, II & IV	29.36	35.18	38.1	4	4.5	2423960-1
FNG	19	III	29.36	35.18	38.1	4	4.5	2428003-1
FNG	17/18	I, II & IV	26.97	32.25	34.32	4	3.5	2423958-1
FNG	17	III	26.97	32.25	34.32	4	3.5	2427999-1
FNG	15/16	I, II & IV	24.61	29.05	31.95	4	3.5	2423956-1
FNG	15	III	24.61	29.05	31.95	4	3.5	2427995-1
FNG	13/14	I, II & IV	23.01	25.78	29.29	4	3.5	2423954-1
FNG	13	III	23.01	25.78	29.29	4	3.5	2427991-1
FNG	12/11	I, II & IV	20.62	22.48	26.92	4	3.5	2423952-1
FNG	11	III	20.62	22.48	26.92	4	3.5	2427987-1
FNG	10/9	I, II & IV	18.26	19.3	24.51	4	3	2423950-1
FNG	9	III	18.26	19.3	24.51	4	3	2427983-1
FNG	8	II	15.09	16.25	21.34	4	1.5	2423949-1
SNG	25	III	38.1	44.7	47.63	4.5	5	2428013-1
SNG	25	I & IV	38.1	44.7	47.63	4.5	5	2423925-1
SNG	23/24	I, II & IV	34.93	41.53	44.45	4.5	5	2423923-1
SNG	23	III	34.93	41.53	44.45	4.5	5	2428009-1
SNG	21/22	I, II & IV	31.75	38.35	41.28	4	4	2423921-1
SNG	21	III	31.75	38.35	41.28	4	4	2428005-1
SNG	19/20	I, II & IV	29.36	35.18	38.1	4	4.5	2423919-1
SNG	19	III	29.36	35.18	38.1	4	4.5	2428001-1
SNG	17/18	I, II & IV	26.97	32.25	34.32	4	3.5	2423917-1
SNG	17	III	26.97	32.25	34.32	4	3.5	2427997-1
SNG	15/16	I, II & IV	24.61	29.05	31.95	4	3.5	2423915-1
SNG	15	III	24.61	29.05	31.95	4	3.5	2427993-1
SNG	13/14	I, II & IV	23.01	25.78	29.29	4	3.5	2423913-1
SNG	13	III	23.01	25.78	29.29	4	3.5	2427989-1
SNG	12/11	I, II & IV	20.62	22.48	26.92	4	3.5	2423911-1
SNG	11	III	20.62	22.48	26.92	4	3.5	2427985-1
SNG	10/9	I & II	18.26	19.3	24.51	4	3	2423909-1
SNG	9	III	18.26	19.3	24.51	4	3	2427981-1
SNG	8	II	15.09	16.25	21.34	4	1.5	2423908-1

95 Connector D-Sub Part Numbers

MATERIAL	# OF PINS	A (mm)	B (mm)	C (mm)	D (mm)	E (mm)	F (mm)	G (mm)	Radius (mm)	PART NUMBER
FSA	9	35.8	24.9	19.8	5.6	11.2	17.5	3.2	1.6	2430172-1
FSA	9	35.8	24.9	19.8	5.6	11.2	17.5	3.2	0.8	2430167-1
FSA	15	44.2	33.3	28.2	5.6	11.2	17.5	3.2	1.6	2430173-1
FSA	15	44.2	33.3	28.2	5.6	11.2	17.5	3.2	0.8	2430168-1
FSA	25	57.9	47	41.9	5.6	11.2	17.5	3.2	1.6	2430174-1
FSA	25	57.9	47	41.9	5.6	11.2	17.5	3.2	0.8	2430169-1
FSA	37	74.4	63.5	58.2	5.6	13.9	20.3	6.1	1.6	2430175-1
FSA	37	74.4	63.5	58.2	5.6	11.2	17.5	3.2	0.8	2430170-1
FSA	50	72.1	61.2	53.6	7.1	13.9	20.3	6.1	1.6	2430176-1
FSA	50	72.1	61.2	53.6	7.1	11.2	17.5	3.2	0.8	2430171-1
SSA	9	35.8	24.9	19.8	5.6	11.2	17.5	3.2	1.6	2430162-1
SSA	9	35.8	24.9	19.8	5.6	11.2	17.5	3.2	0.8	2430157-1
SSA	15	44.2	33.3	28.2	5.6	11.2	17.5	3.2	1.6	2430163-1
SSA	15	44.2	33.3	28.2	5.6	11.2	17.5	3.2	0.8	2430158-1
SSA	25	57.9	47	41.9	5.6	11.2	17.5	3.2	1.6	2430164-1
SSA	25	57.9	47	41.9	5.6	11.2	17.5	3.2	0.8	2430159-1
SSA	37	74.4	63.5	58.2	5.6	13.9	20.3	6.1	1.6	2430165-1
SSA	37	74.4	63.5	58.2	5.6	11.2	17.5	3.2	0.8	2430160-1
SSA	50	72.1	61.2	53.6	7.1	13.9	20.3	6.1	1.6	2430166-1
SSA	50	72.1	61.2	53.6	7.1	11.2	17.5	3.2	0.8	2430161-1
FNG	9	35.8	24.9	19.8	5.6	11.2	17.5	3.2	1.6	2430152-1
FNG	9	35.8	24.9	19.8	5.6	11.2	17.5	3.2	0.8	2430147-1
FNG	15	44.2	33.3	28.2	5.6	11.2	17.5	3.2	1.6	2430153-1
FNG	15	44.2	33.3	28.2	5.6	11.2	17.5	3.2	0.8	2430148-1
FNG	25	57.9	47	41.9	5.6	11.2	17.5	3.2	1.6	2430154-1
FNG	25	57.9	47	41.9	5.6	11.2	17.5	3.2	0.8	2430149-1
FNG	37	74.4	63.5	58.2	5.6	13.9	20.3	6.1	1.6	2430155-1
FNG	37	74.4	63.5	58.2	5.6	11.2	17.5	3.2	0.8	2430150-1
FNG	50	72.1	61.2	53.6	7.1	13.9	20.3	6.1	1.6	2430156-1
FNG	50	72.1	61.2	53.6	7.1	11.2	17.5	3.2	0.8	2430151-1
SNG	9	35.8	24.9	19.8	5.6	11.2	17.5	3.2	1.6	2430142-1
SNG	9	35.8	24.9	19.8	5.6	11.2	17.5	3.2	0.8	2430137-1
SNG	15	44.2	33.3	28.2	5.6	11.2	17.5	3.2	1.6	2430143-1
SNG	15	44.2	33.3	28.2	5.6	11.2	17.5	3.2	0.8	2430138-1
SNG	25	57.9	47	41.9	5.6	11.2	17.5	3.2	1.6	2430144-1
SNG	25	57.9	47	41.9	5.6	11.2	17.5	3.2	0.8	2430139-1
SNG	37	74.4	63.5	58.2	5.6	13.9	20.3	6.1	1.6	2430145-1
SNG	37	74.4	63.5	58.2	5.6	11.2	17.5	3.2	0.8	2430140-1
SNG	50	72.1	61.2	53.6	7.1	13.9	20.3	6.1	1.6	2430146-1
SNG	50	72.1	61.2	53.6	7.1	11.2	17.5	3.2	0.8	2430141-1



Kemtron Extended Product Portfolio Contact Information

United Kingdom

Phone: +44 (0) 1376 348115

Email : info@kemtron.co.uk

France

Phone: + 33 (0) 160778316

Email : info@kemtron.fr

Germany

Phone: +44 (0) 1376348115

Email: info@kemtron.de

Rest of Europe

Phone: +44 (0) 1376348115

Email: info@kemtron.co.uk

Asia

Phone: +44 (0) 1376348115

Email : info@kemtron.co.uk

te.com

TE Connectivity, TE, TE (logo), TE connectivity (logo) and EVERY CONNECTION COUNTS are trademarks owned or licensed by the TE Connectivity plc family of companies. Other products, logos and company names mentioned herein may be trademarks of their respective owners.

The information given herein, including drawings, illustrations and schematics which are intended for illustration purposes only, is believed to be reliable. However, TE Connectivity makes no warranties as to its accuracy or completeness and disclaims any liability in connection with its use. TE Connectivity's obligations shall only be as set forth in TE Connectivity's Standard Terms and Conditions of Sale for this product and in no case will TE Connectivity be liable for any incidental, indirect or consequential damages arising out of the sale, resale, use or misuse of the product. Users of TE Connectivity products should make their own evaluation to determine the suitability of each such product for the specific application.

©2024 TE Connectivity. All Rights Reserved.

12/24 Original