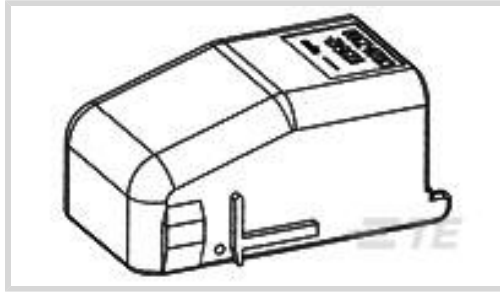




Connectors > Automotive Connectors > Automotive Connector Accessories > Automotive Connector Caps & Covers



Protection & Strain Relief Accessory Type: **Cover**

Strain Relief: **Without**

Primary Product Color: **Black**

Primary Product Material: **PBT GF20**

Features

Product Type Features

Protection & Strain Relief Accessory Type	Cover
---	-------

Body Features

Primary Product Color	Black
Primary Product Material	PBT GF20

Mechanical Attachment

Strain Relief	Without
---------------	---------

Industry Standards

UL Flammability Rating	UL 94HB
------------------------	---------

Packaging Features

Packaging Quantity	624
Packaging Method	Bag

Other

Serviceable	Yes
-------------	-----

Product Compliance

[For compliance documentation, visit the product page on TE.com>](#)

EU RoHS Directive 2011/65/EU	Compliant
EU ELV Directive 2000/53/EC	Compliant
China RoHS 2 Directive MIIT Order No 32, 2016	No Restricted Materials Above Threshold
EU REACH Regulation (EC) No. 1907/2006	Current ECHA Candidate List: JUNE 2023 (235)

Candidate List Declared Against: JUNE 2023 (235)

Does not contain REACH SVHC

Halogen Content

Low Halogen - Br, Cl, F, I < 900 ppm per homogenous material. Also BFR/CFR/PVC Free

Solder Process Capability

Not applicable for solder process capability

Product Compliance Disclaimer

This information is provided based on reasonable inquiry of our suppliers and represents our current actual knowledge based on the information they provided. This information is subject to change. The part numbers that TE has identified as EU RoHS compliant have a maximum concentration of 0.1% by weight in homogenous materials for lead, hexavalent chromium, mercury, PBB, PBDE, DBP, BBP, DEHP, DIBP, and 0.01% for cadmium, or qualify for an exemption to these limits as defined in the Annexes of Directive 2011/65/EU (RoHS2). Finished electrical and electronic equipment products will be CE marked as required by Directive 2011/65/EU. Components may not be CE marked. Additionally, the part numbers that TE has identified as EU ELV compliant have a maximum concentration of 0.1% by weight in homogenous materials for lead, hexavalent chromium, and mercury, and 0.01% for cadmium, or qualify for an exemption to these limits as defined in the Annexes of Directive 2000/53/EC (ELV). Regarding the REACH Regulation, the information TE provides on SVHC in articles for this part number is based on the latest European Chemicals Agency (ECHA) 'Guidance on requirements for substances in articles' posted at this URL: <https://echa.europa.eu/guidance-documents/guidance-on-reach>

Compatible Parts



TE Part # 1393436-4
V23542C1028B300=KABELBAUMST. 8



TE Part # 8-1393476-0
PIN HEADER 80P WITH PIN GUIDE

Customers Also Bought



TE Part #1-1718624-2
2 POS HSG AMP MCP 2.8 ASSY



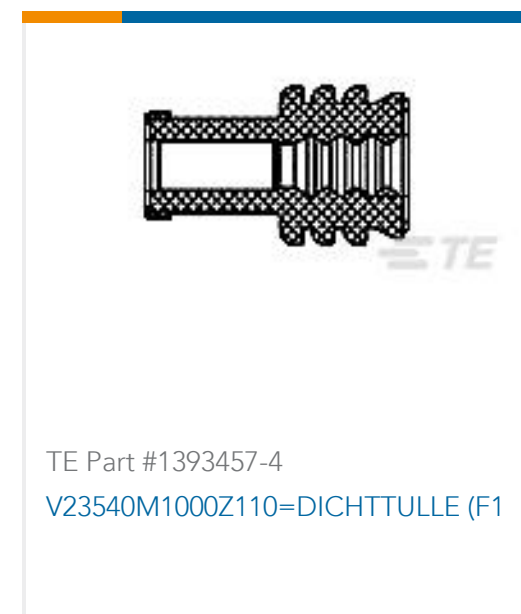
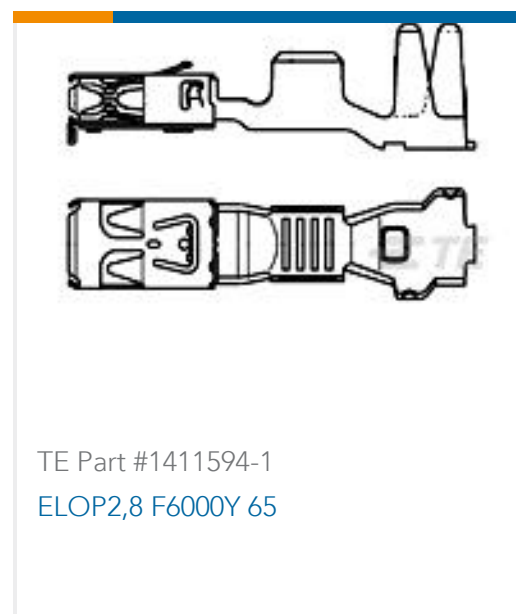
TE Part #2-962352-1
10P MESSERLEIS-GEH



TE Part #3-1718624-2
2POS,AMP MCP2.8,SOCK HSG,CODE C,ASSY,SLD



TE Part #4-456406-3
CRIMPER WIRE .090 "F"



Documents

Product Drawings

[V23542C1028Z300=ABDECKK 28PDIC](#)

English

CAD Files

Customer View Model

[ENG_CVM_CVM_1393454-5_A.2d_dxf.zip](#)

English

3D PDF

3D

Customer View Model

[ENG_CVM_CVM_1393454-5_A.3d_igs.zip](#)

English

Customer View Model

[ENG_CVM_CVM_1393454-5_A.3d_stp.zip](#)

English

By downloading the CAD file I accept and agree to the [Terms and Conditions](#) of use.