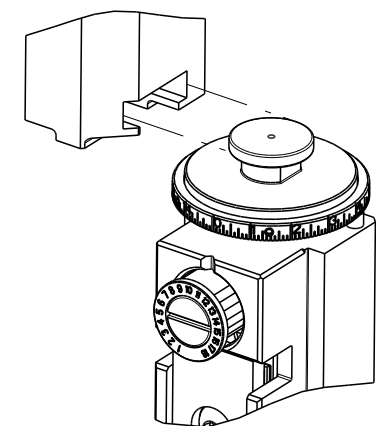


PART NUMBER	REVISION	DESCRIPTION	FEED TYPE
2150040-2	E	FINE CRIMP HEIGHT ADJUST	PNEUMATIC
7-2150040-2	E	PNEUMATIC AND CRIMP TOOLING KIT	PNEUMATIC
7-2150040-7	A	CRIMP TOOLING KIT	-

ATLANTIC VERSION TERMINATOR INTERFACE ADAPTER



APPLICATOR DATA		
CRIMP	SIZE	TYPE
WIRE	2.03 mm [.080]	F
INSUL	3.56 mm [.140]	F
APPLICATOR INSTRUCTIONS 408-35043		

TERMINAL DATA: TE TERMINAL		TE CRIMP SPECIFICATION	
TERMINAL NAME: 250 POSITIVE REC EX MK-2			
WIRE STRIP LENGTH		INSULATION DIAMETER RANGE	
5.50-6.50 mm [.217-.256 IN]		∅1.50-3.10 mm [.059-.122 IN]	
TERMINAL APPLICATION SPECIFICATION	114-5119	-	-
TERMINALS APPLIED			
TE TERMINAL	TE TERMINAL	TE TERMINAL	TE TERMINAL
175020-1	175020-2	179973-1	179973-6
2232957-1			

WIRE SIZE	CRIMP HEIGHT mm [INCH]	CRIMP HEIGHT REFERENCE SETTING
18 AWG OR 0.75mm ²	1.61 +/- 0.05 [.063 +/- .002]	5.3
20 AWG OR 0.50mm ²	1.47 +/- 0.05 [.058 +/- .002]	6.8
22 AWG OR 0.30mm ²	1.41 +/- 0.05 [.056 +/- .002]	7.5



- RECOMMENDED SPARE PARTS
- REFER TO SUPPLIED INSTRUCTION SHEET FOR CLEANING, LUBRICATION AND STORAGE OF APPLICATOR.
- APPLY PART NUMBER 1-23419-5 LOCTITE TO THREADS OF ITEM 180. APPLY PART NUMBER 2-23419-6 LOCTITE TO THREADS OF ITEM 242.
- CRIMP HEIGHT REFERENCE SETTING WAS THE SETTING USED WHEN THE APPLICATOR WAS QUALIFIED AT THE FACTORY. ADJUSTMENT MAY BE NECESSARY WHEN RUNNING APPLICATOR IN THE FIELD.
- 5. UNLESS SPECIFIED OTHERWISE TORQUE VALUES SHALL BE USED PER DOCUMENT, 101-35000.
- TERMINAL PITCH NOT COMPATIBLE WITH MECHANICAL FEED.

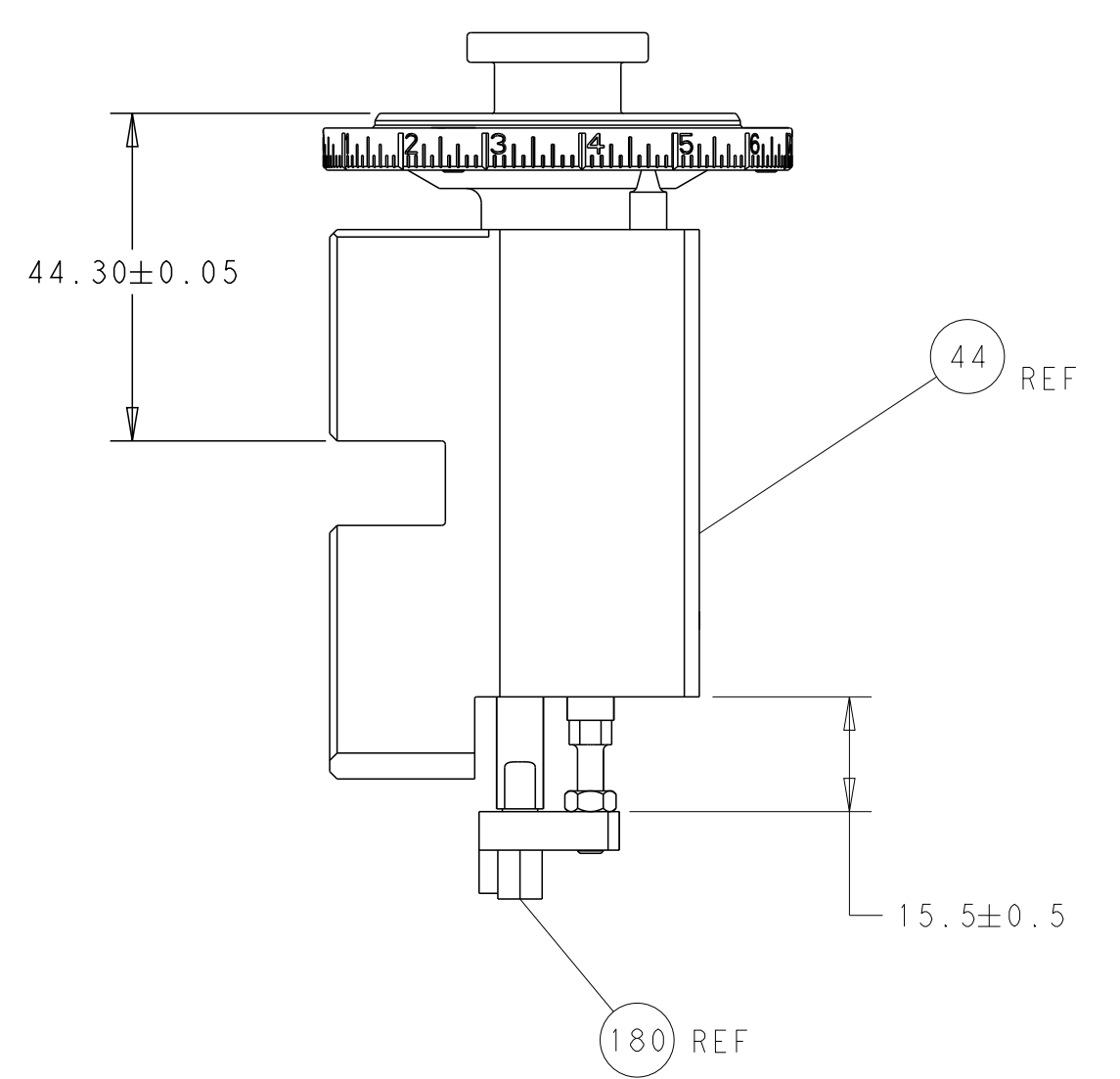
***WARNING**
ON INSTALLATION, SET WIRE DISC TO CRIMP HEIGHT REFERENCE SETTING FOR LARGEST WIRE SIZE. CRIMP HEIGHT REFERENCE SETTINGS GREATER THAN THE VALUE SHOWN MAY CAUSE DAMAGE TO THE CRIMP TOOLING, REFER TO THE INSTRUCTION SHEET FOR PROPER SETUP AND ADJUSTMENTS.

LOC	DIST	REVISIONS					
A	66	P	LTN	DESCRIPTION	DATE	DWN	APVD
		C		ECR-18-014381	11SEP2018	FL	KZ
		C1		ECR-19-008929	06JUN2019	FZ	TB
		D		ECR-19-012168	01AUG2019	TB	TE
		E		ECR-24-196401	03JAN2024	FZ	GB

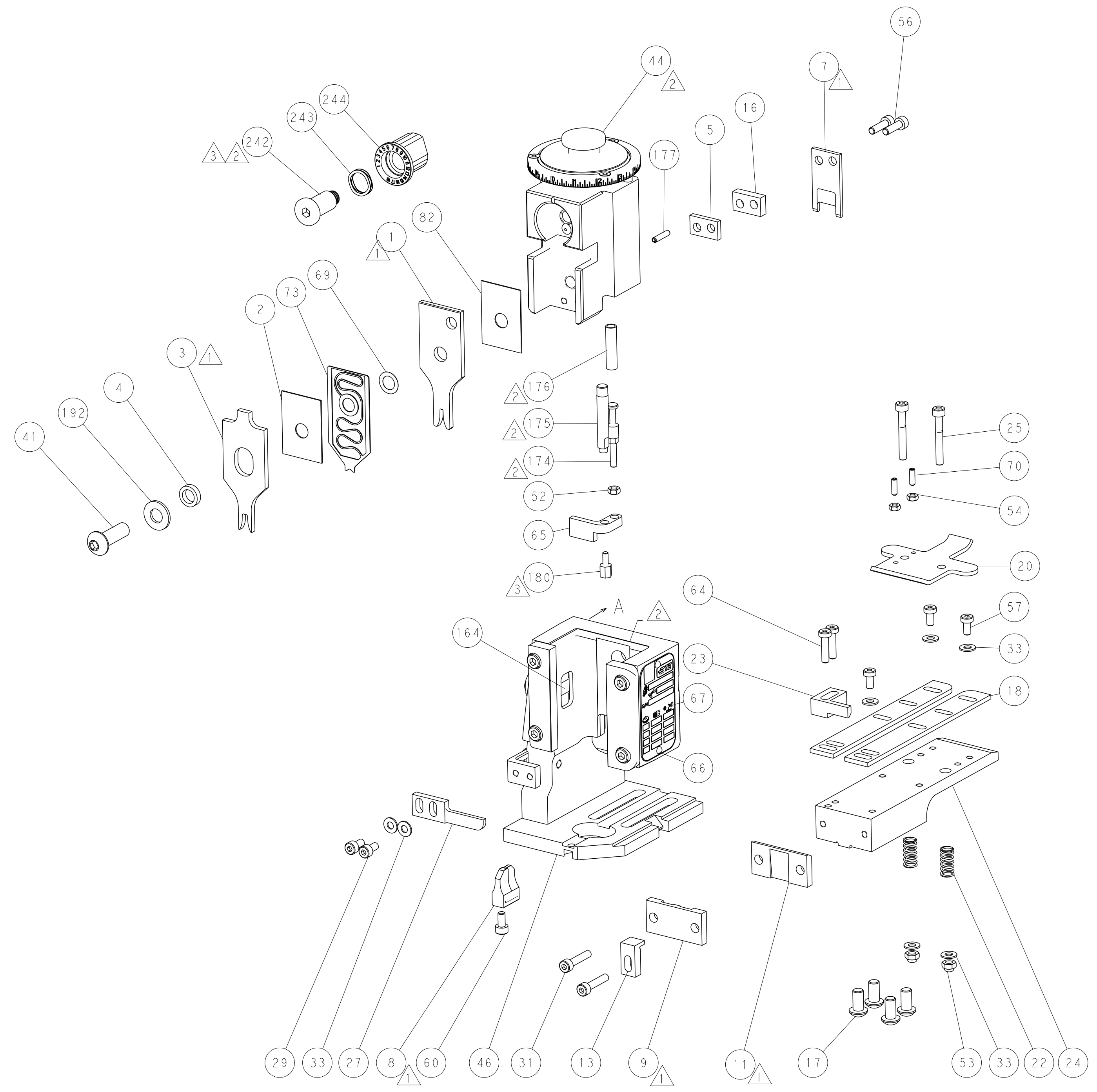
-	1	1	2119641-1	FEED CAM, AIR FEED	248
-	1	1	2119082-9	CAM, SNAIL, INSULATION ADJUSTMENT	244
-	1	1	2079764-1	WASHER, WAVE SPRING, CREST-TO-CREST	243
	-	1	2119083-1	RETAINER, INSULATION DIAL	242
-	1	1	2844940-3	AIR FEED MODULE	238
-	1	1	1-18028-0	WASHER, FLAT, REG M8	192
	-	1	1-1752354-1	STANDOFF, HOLD-DOWN	180
-	1	1	6-993111-6	PIN, SLOTTED SPRING 3.0 X 14.0	177
-	1	1	8-22280-7	SPRING, COMPRESSION	176
-	1	1	1752353-2	GUIDE PIN, HOLDDOWN	175
-	1	1	1901680-2	GUIDE PIN, HOLDDOWN	174
-	REF	REF	994970-2	COUNTER, MAGNETIC	164
-	1	1	455888-5	SPACER, CRIMPER -	82
-	1	1	2119791-5	DEPRESSOR, WIRE	73
-	1	1	1803607-4	DOCUMENTATION PACKAGE	71
-	2	2	2-18032-2	SCR, SET, FLT PNT, M3 X 10.0	70
-	1	1	2119943-1	WASHER, SPACER	69
-	1	1	2119740-1	TAG, IDENTIFICATION	67
-	2	2	2168078-1	SCREW, DRIVE, RH, RoHS, 2 x .188	66
-	1	1	1901681-1	HOLDDOWN, TERMINAL	65
-	2	2	2168400-8	SHCS, LOW HEAD, RoHS, M4 X 16	64
-	1	1	2168083-2	SCR, SKT HD CAP, RoHS, M4 X 8.0	60
-	1	1	5-18022-5	SCR, HEX HD CAP, M4 X 6.0	59
-	3	3	2168400-4	SHCS, LOW HEAD, RoHS, M4 X 8	57
-	2	2	2-2168083-5	SCR, SKT HD CAP, RoHS, M4 X 14	56
-	2	2	5018030-1	NUT, HEX, REG, RoHS, M3	54
-	2	2	986965-8	NUT, LOCK, HEX, TORQUE (M4)	53
-	1	1	1-5018030-0	NUT, HEX, REG, RoHS, M3.5	52
-	1	1	2063961-1	FEED FINGER	51
-	1	1	18023-9	SCR, SKT HD CAP M4 X 6.0	49
-	1	1	2119655-5	APPLICATOR BASIC ASSEMBLY, EF	46
-	1	1	1803517-1	RAM ASSEMBLY, EF ATLANTIC	44
-	1	1	1803602-1	SCR, BHSC, RoHS (M8 X 25)	41
-	7	7	1-18028-2	WASHER, FLAT, REG M4	33
-	2	2	2168083-9	SCR, SKT HD CAP, RoHS, M4 X 20	31
-	2	2	2168083-2	SCR, SKT HD CAP, RoHS, M4 X 8.0	29
-	1	1	240639-1	STRIPPER (MACHINING)	27
-	2	2	1-2168083-5	SCR, SKT HD CAP, RoHS, M4 X 30	25
-	1	1	1752371-5	PLATE, STRIP GUIDE	24
-	1	1	240825-1	PLATE, STRIP HOLD DOWN	23
-	2	2	2-22281-3	SPRING, COMPRESSION	22
-	1	1	1803292-4	DRAG	20
-	2	2	1901259-5	GUIDE, LOWER STRIP	18
-	4	4	1-2079383-1	SCR, BHSC, RoHS (M6 X 12)	17
-	1	1	2-240641-9	SPACER	16
-	1	1	1752360-1	SPACER, HOLD-DOWN	13
	-	1	240833-1	PLATE, REAR SHEAR	11
-	-	-	-	-	10
	-	1	690482-4	PLATE, FRONT SHEAR	9
	1	2	1333216-4	ANVIL, COMBINATION	8
	-	1	1-2217206-0	BLADE, SLUG	7
-	1	1	5-240641-2	SPACER	5
-	1	1	238011-2	BLOCK, CRIMPER SPACER	4
	1	2	1-21633961-3	CRIMPER, INSULATION F PREMIUM	3
-	1	1	455888-5	SPACER, CRIMPER -	2
	1	2	1-456405-5	CRIMPER, WIRE PREMIUM	1

DIMENSIONS:		TOLERANCES UNLESS OTHERWISE SPECIFIED:		DWN		CHK		APVD	
mm	0 PLC ±	1 PLC ±	2 PLC ±	3 PLC ±	4 PLC ±	11JAN2012	R. HUANG	11JAN2012	S. XI
	ANGLES	FINISH							
MATERIAL									
Customer Accessible Production Drawing				SCALE	1:1	SHEET	1	OF	4
				REV	E				

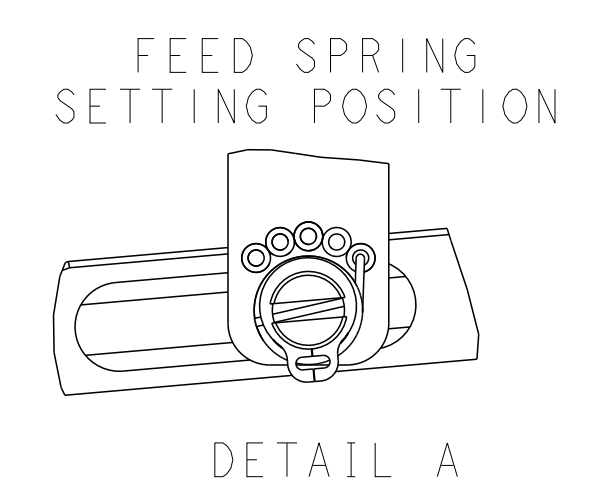
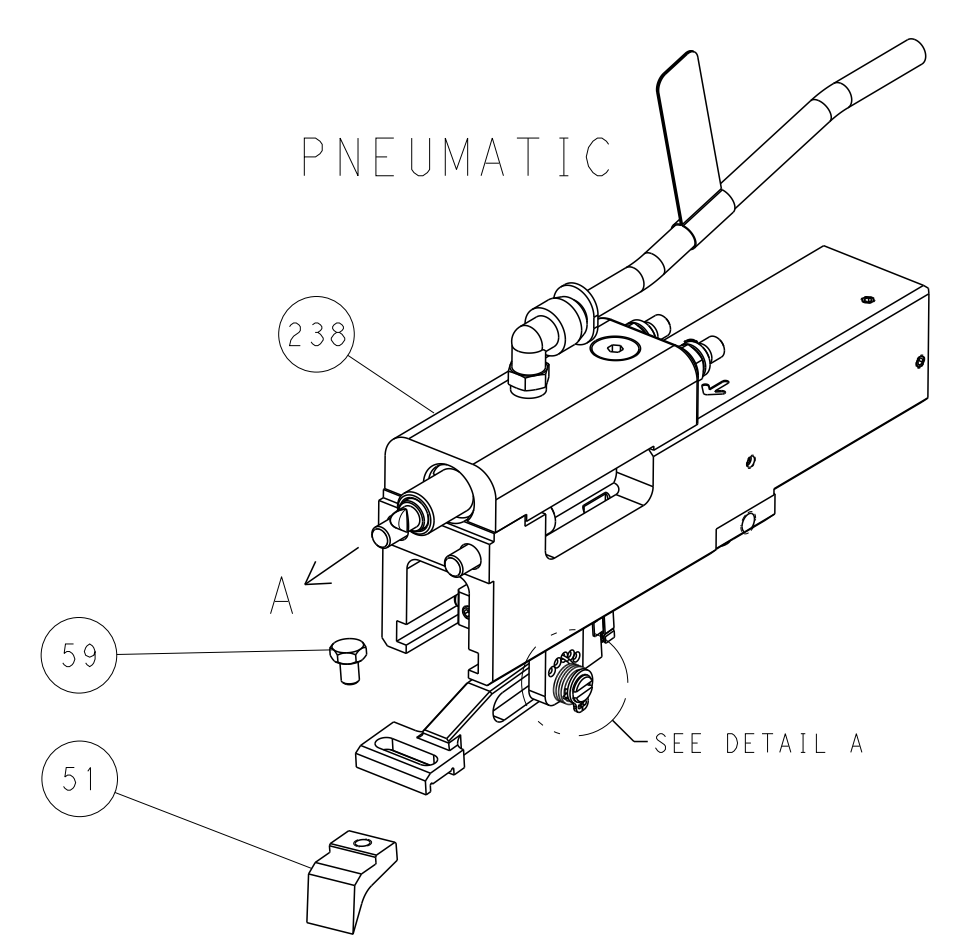
LOC		DIST		REVISIONS			
A	66	P	LTH	DESCRIPTION	DATE	DWN	APVD
		-		SEE SHEET 1			



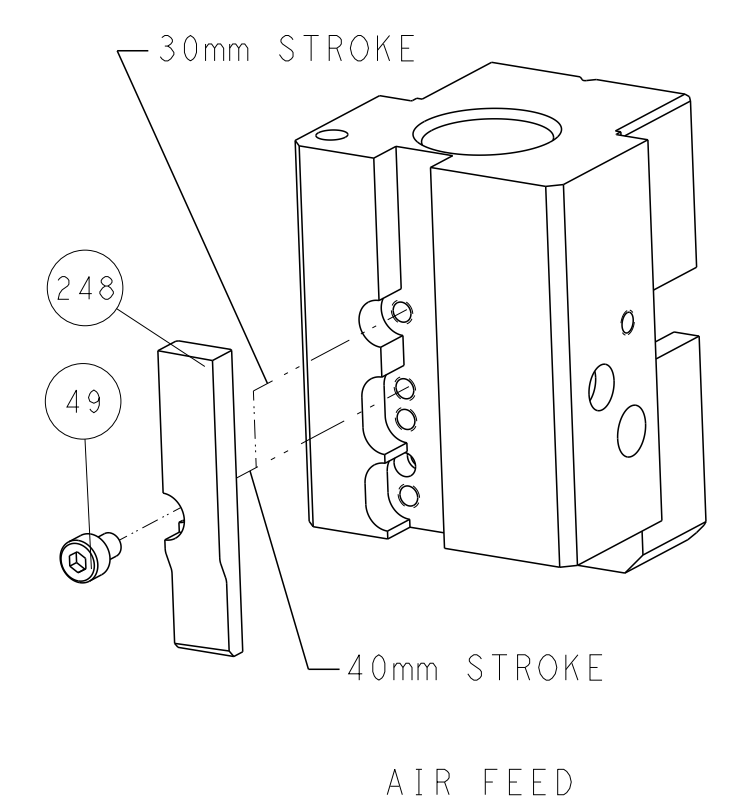
RAM AND HOLDDOWN SET-UP



FEED TYPE



CAM POSITION



DIMENSIONS:		TOLERANCES UNLESS OTHERWISE SPECIFIED:		DWN K. HUANG 11 JAN 2012		TE Connectivity Harrisburg, PA 17105-3608	
mm		0 PLC ±		CHK S. XI 11 JAN 2012		NAME Ocean End Feed Applier	
Ø		1 PLC ±		APVD J. CRUZ 11 JAN 2012		SIZE A	
		2 PLC ±		PRODUCT SPEC		CAGE CODE 00779	
		3 PLC ±		APPLICATION SPEC		DRAWING NO 2150040	
		4 PLC ±		WEIGHT		RESTRICTED TO	
		ANGLES ±		MATERIAL		SHEET 2 OF 4	
		FINISH		Customer Accessible Production Drawing		REV E	
				SCALE 1:1			