

PART NUMBER	REVISION	DESCRIPTION	FEED TYPE
2150074-1	D	FINE CRIMP HEIGHT ADJUST	MECHANICAL
2150074-2	D	FINE CRIMP HEIGHT ADJUST	PNEUMATIC
7-2150074-7	A	CRIMP TOOLING KIT	-

ATLANTIC VERSION TERMINATOR
INTERFACE ADAPTER



APPLICATOR DATA		
CRIMP	SIZE	TYPE
WIRE	2.29 mm [.090]	F
INSUL	3.56 mm [.140]	F
APPL INSTRUCTIONS 408-35043		

TERMINAL DATA: TE TERMINAL				TE CRIMP SPECIFICATION			
TERMINAL NAME: RING							
WIRE STRIP LENGTH 4.39-5.16 mm [.173-.203 IN]				INSULATION DIAMETER RANGE Ø2.03-2.79 mm [.080-.110 IN]			
TERMINAL APPLICATION SPECIFICATION 114-2084							
TERMINALS APPLIED							
TE TERMINAL	TE TERMINAL	TE TERMINAL	TE TERMINAL	TE TERMINAL	TE TERMINAL	TE TERMINAL	TE TERMINAL
42037	42037-1	42037-2	42037-8	42037-9	42036-1	42036-2	63797-1
150539	150541	150605-1	1742780-1				

TERMINAL DATA: TE TERMINAL				TE CRIMP SPECIFICATION			
TERMINAL NAME: RING							
WIRE STRIP LENGTH 4.39-5.16 mm [.173-.203 IN]				INSULATION DIAMETER RANGE Ø1.52-2.79 mm [.060-.110 IN]			
TERMINAL APPLICATION SPECIFICATION 114-2084							
TERMINALS APPLIED							
TE TERMINAL	TE TERMINAL	TE TERMINAL	TE TERMINAL	TE TERMINAL	TE TERMINAL	TE TERMINAL	TE TERMINAL
170225-1	170225-2	1-170225-2					

WIRE SIZE	CRIMP HEIGHT mm [INCH]	CRIMP HEIGHT REFERENCE SETTING
18 AWG	1.65+/-0.05 [.065+/-0.002]	5.5
2 x 22 AWG	1.57+/-0.05 [.062+/-0.002]	6.3
20 AWG	1.55+/-0.05 [.061+/-0.002]	6.6
2 x 0.22mm2	1.52+/-0.05 [.060+/-0.002]	6.9
22 AWG	1.50+/-0.05 [.059+/-0.002]	7.1

***WARNING**
ON INSTALLATION, SET WIRE DISC TO CRIMP HEIGHT REFERENCE SETTING FOR LARGEST WIRE SIZE. CRIMP HEIGHT REFERENCE SETTINGS GREATER THAN THE VALUE SHOWN MAY CAUSE DAMAGE TO THE CRIMP TOOLING. REFER TO THE INSTRUCTION SHEET FOR PROPER SETUP AND ADJUSTMENTS.

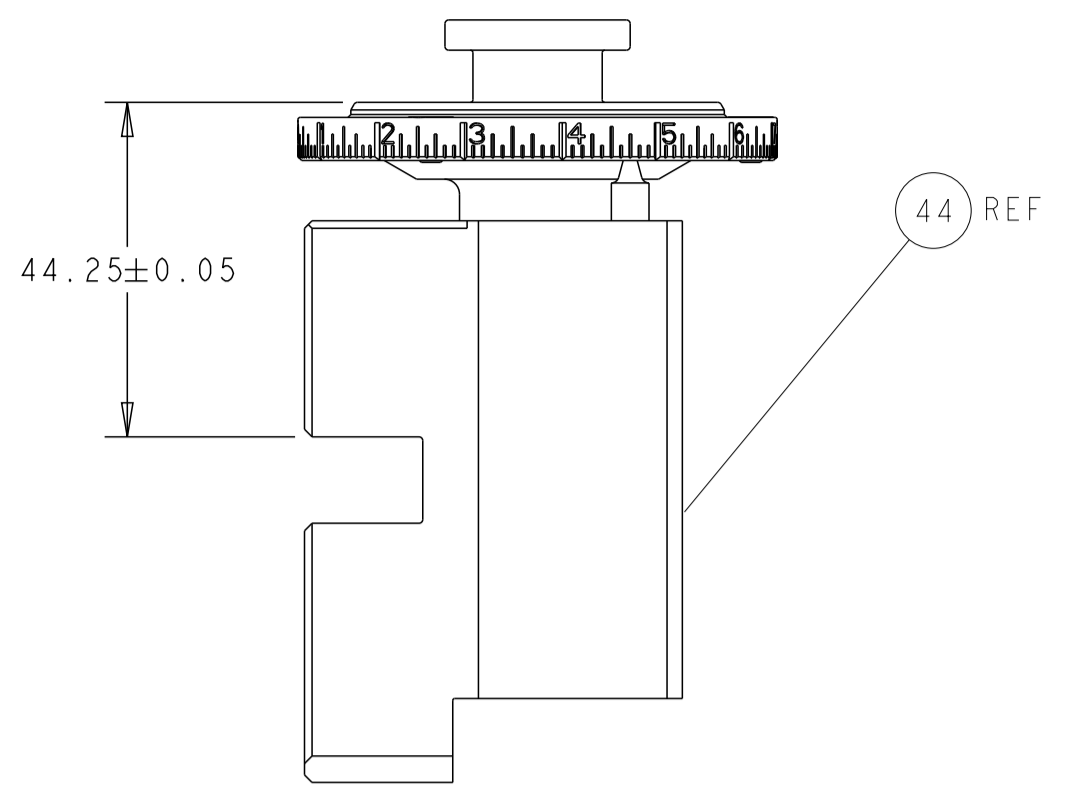
- RECOMMENDED SPARE PARTS
- REFER TO SUPPLIED INSTRUCTION SHEET FOR CLEANING, LUBRICATION AND STORAGE OF APPLICATOR.
- APPLY PART NUMBER 2-23419-6 LOCTITE TO THREADS OF ITEM 242.
- CRIMP HEIGHT REFERENCE SETTING WAS THE SETTING USED WHEN THE APPLICATOR WAS QUALIFIED AT THE FACTORY. ADJUSTMENT MAY BE NECESSARY WHEN RUNNING APPLICATOR IN THE FIELD.
- UNLESS SPECIFIED OTHERWISE TORQUE VALUES SHALL BE USED PER DOCUMENT, 101-35000.
- THIS CRIMP PARAMETER IS PROVIDED TO MEET A CUSTOM AND UNIQUE CUSTOMER REQUIREMENT. IT HAS BEEN EVALUATED AND IS CONDITIONALLY SPECIFIED BY TE CONNECTIVITY. THIS CUSTOMIZED CRIMP PARAMETER IS NOT LISTED AS AN APPROVED APPLICATION WITHIN A TE CONNECTIVITY APPLICATION SPECIFICATION. **TE CONNECTIVITY EXPRESSLY DISCLAIMS ANY AND ALL WARRANTIES THAT THE PRODUCT WILL PERFORM SIMILARLY TO VALIDATED AND APPROVED APPLICATIONS, AS STATED WITHIN TE CONNECTIVITY APPLICATION SPECIFICATIONS, INCLUDING BUT NOT LIMITED TO IMPLIED WARRANTIES OF MERCHANTABILITY OR FITNESS FOR PARTICULAR PURPOSE.** AS SUCH, IT IS HIGHLY RECOMMENDED THAT THE CUSTOMER PERFORM FURTHER DETAILED EVALUATION TO ASSESS PRODUCT PERFORMANCE IN THE SPECIFIC APPLICATION.

LOC	DIST	REVISIONS					
A	66	P	LTN	DESCRIPTION	DATE	DWN	APVD
		B		ECR-18-015548	30SEP2018	TB	TE
		C		ECR-20-014688	15OCT2020	TB	RK
		C1		ECR-21-113205	08SEP2021	JWC	TE
		D		ECR-24-211431	12JUN2024	ZZ	GB

-	1	-	2119641-1	FEED CAM, AIR FEED	248
-	1	1	2119082-9	CAM, SNAIL, INSULATION ADJUSTMENT	244
-	1	1	2079764-1	WASHER, WAVE SPRING, CREST-TO-CREST	243
-	1	1	2119083-1	RETAINER, INSULATION DIAL	242
-	-	1	2119580-1	MECHANICAL FEED ASSEMBLY	239
-	1	-	2844940-3	AIR FEED MODULE	238
-	1	1	1-18028-0	WASHER, FLAT, REG M8	192
-	REFREF		994970-2	COUNTER, MAGNETIC	164
-	1	1	455888-4	SPACER, CRIMPER -	82
-	1	1	1803607-4	DOCUMENTATION PACKAGE	71
-	2	2	2-18032-2	SCR, SET, FLT PNT, M3 X 10.0	70
-	1	1	2119740-1	TAG, IDENTIFICATION	67
-	2	2	2168078-1	SCREW, DRIVE, RH, RoHS, 2 x .188	66
-	1	1	2168083-2	SCR, SKT HD CAP, RoHS, M4 X 8.0	60
-	1	1	5-18022-5	SCR, HEX HD CAP, M4 X 6.0	59
-	-	1	2063961-1	FEED FINGER	58
-	4	4	2168400-4	SHCS, LOW HEAD, RoHS, M4 X 8	57
-	2	2	1-2168083-0	SCR, SKT HD CAP, RoHS, M4 X 10	56
-	2	2	5018030-1	NUT, HEX, REG, RoHS, M3	54
-	2	2	986965-8	NUT, LOCK, HEX, TORQUE (M4)	53
-	1	-	2063961-9	FEED FINGER	51
-	1	2	18023-9	SCR, SKT HD CAP M4 X 6.0	49
-	-	1	2119652-1	FEED CAM, PRE FEED	48
-	-	1	2119653-1	FEED CAM, POST FEED	47
-	1	1	2119655-5	APPLICATOR BASIC ASSEMBLY, EF	46
-	1	1	1803517-1	RAM ASSEMBLY, EF ATLANTIC	44
-	1	1	1803602-1	SCR, BHSC, RoHS (M8 X 25)	41
-	8	8	1-18028-2	WASHER, FLAT, REG M4	33
-	2	2	2168083-8	SCR, SKT HD CAP, RoHS, M4 X 16	31
-	2	2	2168083-2	SCR, SKT HD CAP, RoHS, M4 X 8.0	29
-	1	1	240639-1	STRIPPER (MACHINING)	27
-	2	2	1-2168083-5	SCR, SKT HD CAP, RoHS, M4 X 30	25
-	1	1	1752371-5	PLATE, STRIP GUIDE	24
-	2	2	2-22281-3	SPRING, COMPRESSION	22
-	1	1	1803292-4	DRAG	20
-	1	1	1901696-9	STRIP GUIDE, REAR	19
-	1	1	1901695-9	STRIP GUIDE, FRONT	18
-	4	4	1-2079383-1	SCR, BHSC, RoHS (M6 X 12)	17
-	1	1	240644-9	PLATE, REAR SHEAR	11
-	-	-	-	-	10
-	1	1	5-690482-7	PLATE, FRONT SHEAR	9
1	1	1	2-1333217-6	ANVIL, EF .090	8
-	1	1	2217206-4	BLADE, SLUG	7
-	-	-	-	-	6
-	1	1	2-240641-4	SPACER	5
-	1	1	238011-2	BLOCK, CRIMPER SPACER	4
1	1	1	1803017-9	CRIMPER, INSULATION F	3
-	1	1	455888-7	SPACER, CRIMPER -	2
1	1	1	1-456406-6	CRIMPER, WIRE PREMIUM	1
-	77	-	2 -1	PART NO	
				DESCRIPTION	ITEM NO

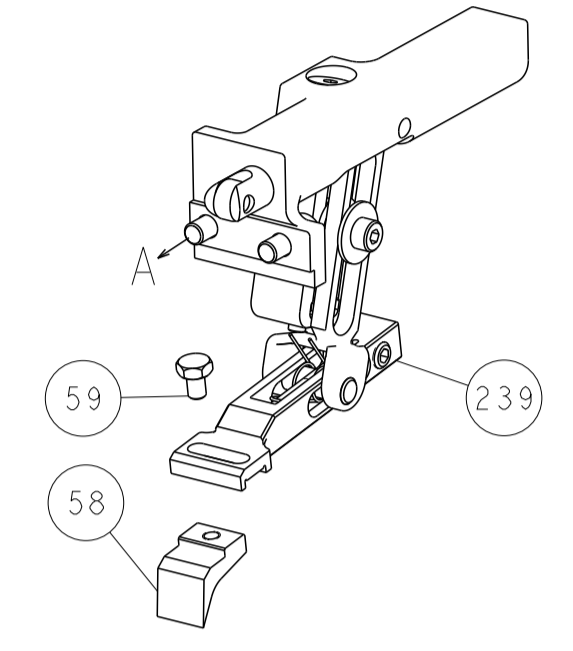
DIMENSIONS:		TOLERANCES UNLESS OTHERWISE SPECIFIED:		DWN		16OCT2013	
mm		0 PLC ±		EL GROSS		16OCT2013	
Ø		1 PLC ±		T. ELBIN		16OCT2013	
□		2 PLC ±		APVD		M. CLIFFORD	
□		3 PLC ±		PRODUCT SPEC			
□		4 PLC ±		APPLICATION SPEC			
□		ANGLES ±		SIZE		CAGE CODE DRAWING NO	
□		FINISH		WEIGHT		RESTRICTED TO	
MATERIAL				A 00779		C=2150074	
				Customer Accessible Production Drawing		SCALE 1:1 SHEET 1 OF 4 REV D	

LOC	DIST	REV	DESCRIPTION	DATE	OWN	APVD
A	66		SEE SHEET 1			

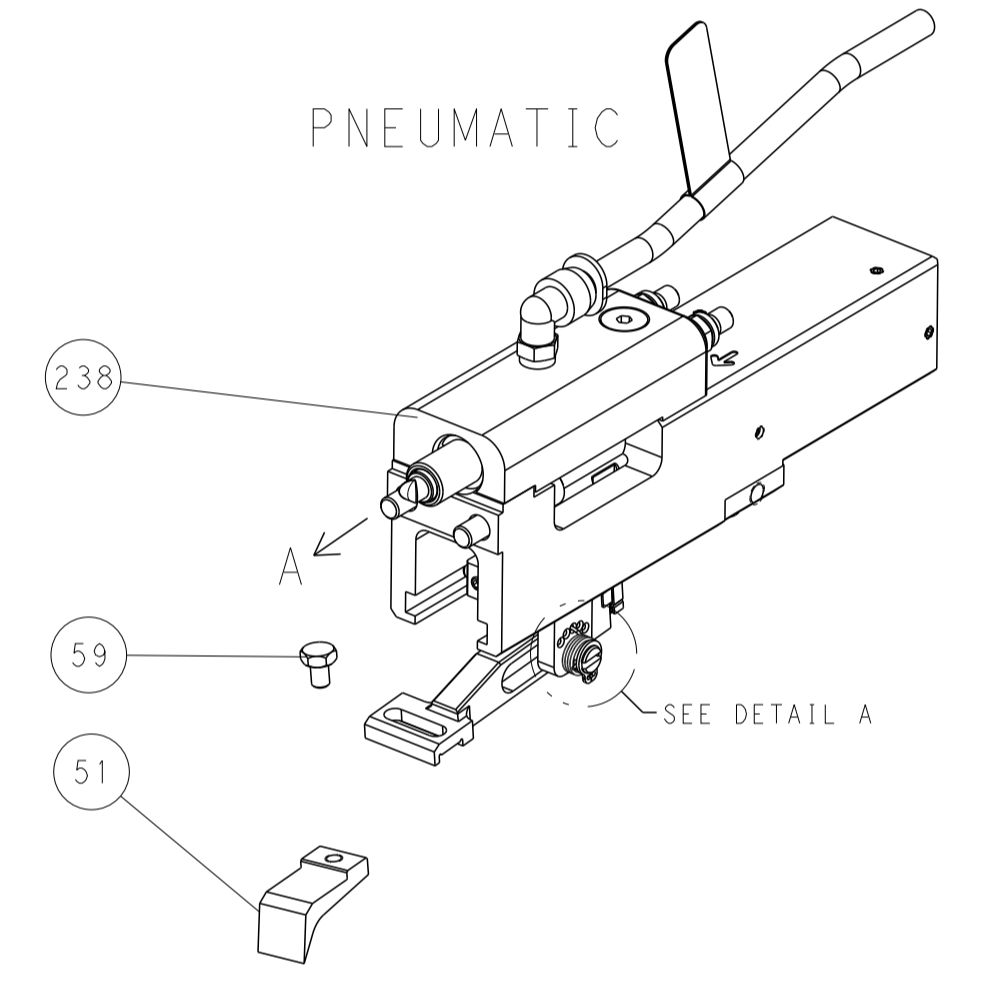


RAM SET-UP

FEED TYPE
MECHANICAL

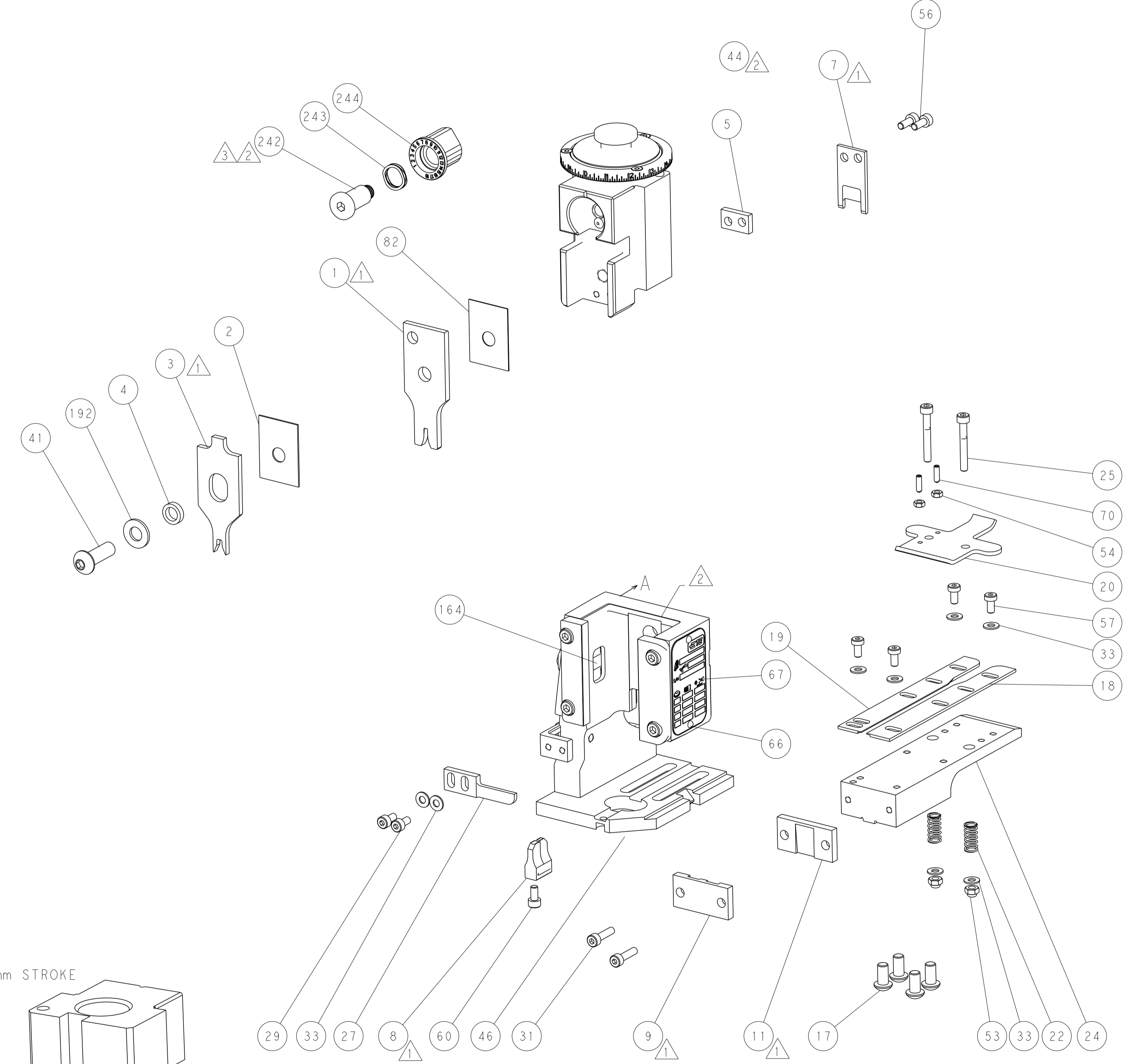


PNEUMATIC

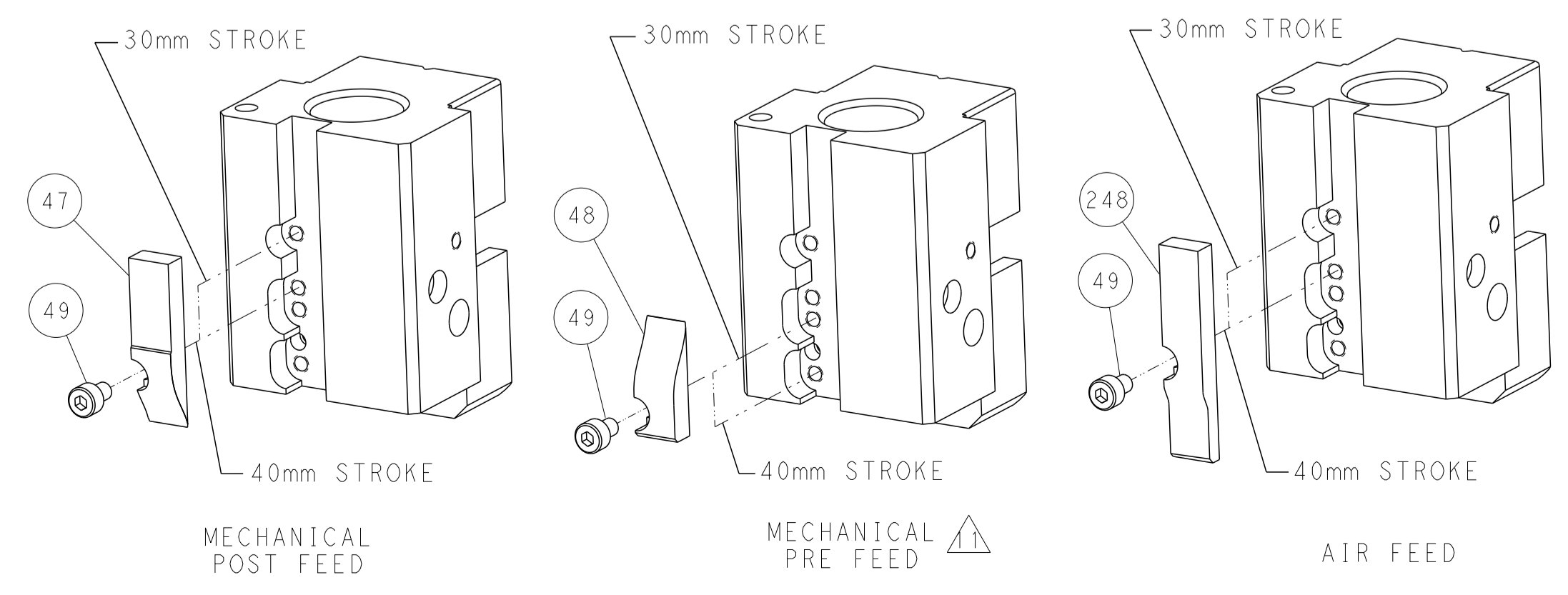


FEED SPRING
SETTING POSITION

DETAIL A



CAM POSITIONS



<small>THIS DRAWING IS UNPUBLISHED. RELEASED FOR PUBLICATION BY TYCO ELECTRONICS CORPORATION. ALL RIGHTS RESERVED.</small>		DWN L. GROSS CHK T. ELBIN APVD M. CLIFFORD	16OCT2013 16OCT2013 16OCT2013	TE Connectivity Harrisburg, PA 17105-3608
DIMENSIONS: mm 		TOLERANCES UNLESS OTHERWISE SPECIFIED: 0 PLC ± 1 PLC ± 2 PLC ± 3 PLC ± 4 PLC ± ANGLES ± FINISH		NAME Ocean End Feed Applicator SIZE CAGE CODE DRAWING NO A 00779 C=2150074 RESTRICTED TO
MATERIAL:		WEIGHT:		SCALE 1:1 SHEET 2 OF 4 REV D Customer Accessible Production Drawing