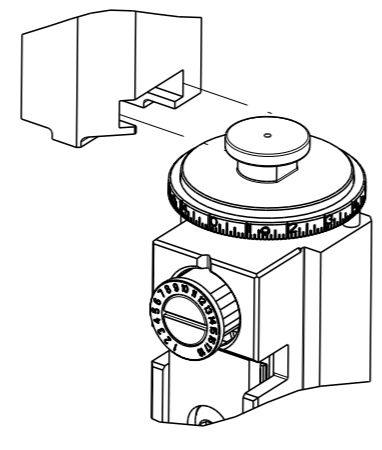


PART NUMBER	REVISION	DESCRIPTION	FEED TYPE
2150190-1	C	FINE CRIMP HEIGHT ADJUST	MECHANICAL
2150190-2	C	FINE CRIMP HEIGHT ADJUST	PNEUMATIC
7-2150190-1	C	MECHANICAL AND CRIMP TOOLING KIT	MECHANICAL
7-2150190-2	C	PNEUMATIC AND CRIMP TOOLING KIT	PNEUMATIC
7-2150190-7	A	CRIMP TOOLING KIT	-

ATLANTIC VERSION TERMINATOR INTERFACE ADAPTER



APPLICATOR DATA		
CRIMP	SIZE	TYPE
WIRE	3.30 mm [.130]	F
INSUL	4.57 mm [.180]	O
APPL INSTRUCTIONS 408-35043		

TERMINAL DATA: TE TERMINAL		TE CRIMP SPECIFICATION	
TERMINAL NAME: TAB, FASTON, FLAG, .250 SERIES			
WIRE STRIP LENGTH		INSULATION DIAMETER RANGE	
3.31-4.07 mm [.130-.160 IN]		∅2.03-3.05 mm [.080-.120 IN]	
TERMINAL APPLICATION SPECIFICATION	114-2028		
TERMINALS APPLIED			
TE TERMINAL	TE TERMINAL	TE TERMINAL	TE TERMINAL
42770-2	42770-4	1217324-1	

WIRE SIZE	CRIMP HEIGHT mm [INCH]	CRIMP HEIGHT REFERENCE SETTING
14 AWG	2.62 +/- 0.05 [.103 +/- .002]	5.0
16 AWG	2.44 +/- 0.05 [.096 +/- .002]	6.7
18 AWG	2.31 +/- 0.05 [.091 +/- .002]	8.2

- RECOMMENDED SPARE PARTS
- REFER TO SUPPLIED INSTRUCTION SHEET FOR CLEANING, LUBRICATION AND STORAGE OF APPLICATOR.
- APPLY PART NUMBER 2-23419-6 LOCTITE TO THREADS OF ITEM 242.
- CRIMP HEIGHT REFERENCE SETTING WAS THE SETTING USED WHEN THE APPLICATOR WAS QUALIFIED AT THE FACTORY. ADJUSTMENT MAY BE NECESSARY WHEN RUNNING APPLICATOR IN THE FIELD.
- 5. UNLESS SPECIFIED OTHERWISE TORQUE VALUES SHALL BE USED PER DOCUMENT, 101-35000.
- TERMINAL LUBRICANT IS RECOMMENDED.

**\*WARNING**  
ON INSTALLATION, SET WIRE DISC TO CRIMP HEIGHT REFERENCE SETTING FOR LARGEST WIRE SIZE. CRIMP HEIGHT REFERENCE SETTINGS GREATER THAN THE VALUE SHOWN MAY CAUSE DAMAGE TO THE CRIMP TOOLING, REFER TO THE INSTRUCTION SHEET FOR PROPER SETUP AND ADJUSTMENTS.

**ATLANTIC VERSION**  
Shown on sheets 1 of 4 & 2 of 4  
(Pacific version shown on sheets 3 of 4 & 4 of 4)

LOC	DIST	REVISIONS					
A	66	P	LYR	DESCRIPTION	DATE	OWN	APVD
		A		RELEASED	29AUG2017	TB	TE
		B		ECR-20-002075	13FEB2020	FZ	TE
		C		ECR-20-003514	09MAR2020	JWC	GB

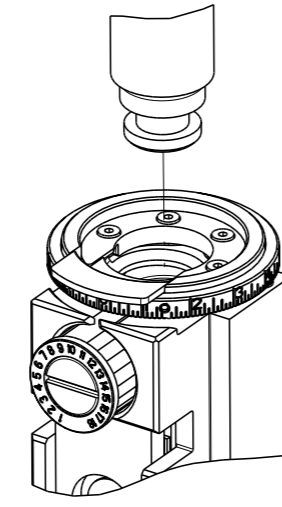
-	1	1	1	1	1803078-5	SPACER, PRECISION	259	
-	1	-	1	-	2119641-1	FEED CAM, AIR FEED	248	
-	1	1	1	1	2119082-7	CAM, SNAIL, INSULATION ADJUSTMENT	244	
-	1	1	1	1	2079764-1	WASHER, WAVE SPRING, CREST-TO-CREST	243	
-	1	1	1	1	2119083-1	RETAINER, INSULATION DIAL	242	
-	-	1	-	1	2119580-1	MECHANICAL FEED ASSEMBLY	239	
-	1	-	1	-	2844940-3	AIR FEED MODULE	238	
-	1	1	1	1	1-18028-0	WASHER, FLAT, REG M8	192	
-	REF	REF	REF	REF	994970-2	COUNTER, MAGNETIC	164	
-	1	1	1	1	18023-1	SCR, SKT HD CAP M3 X 5.0	111	
-	1	1	1	1	2119955-2	ASSY, LUBRICATOR, END FEED	84	
-	1	1	1	1	455888-5	SPACER, CRIMPER	82	
-	1	1	1	1	1803607-4	DOCUMENTATION PACKAGE	71	
-	2	2	2	2	2-18032-2	SCR, SET, FLT PNT, M3 X 10.0	70	
-	1	1	1	1	2119740-1	TAG, IDENTIFICATION	67	
-	2	2	2	2	2168078-1	SCREW, DRIVE, RH, RoHS, 2 x .188	66	
-	1	1	1	1	5-18022-5	SCR, HEX HD CAP, M4 X 6.0	59	
-	-	1	-	1	2063961-1	FEED FINGER	58	
-	4	4	4	4	2168400-4	SHCS, LOW HEAD, RoHS, M4 X 8	57	
-	2	2	2	2	5018030-1	NUT, HEX, REG, RoHS, M3	54	
-	2	2	2	2	986965-8	NUT, LOCK, HEX, TORQUE (M4)	53	
-	1	-	1	-	2063961-9	FEED FINGER	51	
-	1	2	1	2	18023-9	SCR, SKT HD CAP M4 X 6.0	49	
-	-	1	-	1	2119652-1	FEED CAM, PRE FEED	48	
-	-	1	-	1	2119653-1	FEED CAM, POST FEED	47	
-	1	1	1	1	1-2119655-7	APPLICATOR BASIC ASSEMBLY, EF	46	
-	1	1	1	1	1803517-2	RAM ASSEMBLY, EF ATLANTIC	44	
-	1	1	1	1	2-2079383-0	SCR, BHSC, RoHS (M8 X 35)	41	
-	8	8	8	8	1-18028-2	WASHER, FLAT, REG M4	33	
-	2	2	2	2	1-2168083-2	SCR, SKT HD CAP, RoHS, M4 X 25	31	
-	2	2	2	2	2168083-2	SCR, SKT HD CAP, RoHS, M4 X 8.0	29	
-	1	1	1	1	240639-2	STRIPPER (MACHINING)	27	
-	2	2	2	2	1-2168083-6	SCR, SKT HD CAP, RoHS, M4 X 35	25	
-	1	1	1	1	1803562-1	PLATE, STRIP GUIDE	24	
-	2	2	2	2	2-22281-3	SPRING, COMPRESSION	22	
-	1	1	1	1	1803292-9	DRAG	20	
-	1	1	1	1	8-1901696-9	STRIP GUIDE, REAR	19	
-	1	1	1	1	2-1901259-0	GUIDE, LOWER STRIP	18	
-	4	4	4	4	1-2079383-1	SCR, BHSC, RoHS (M6 X 12)	17	
-	1	1	1	1	1803564-1	ANVIL, SPLICE TYPE, SPECIAL	14	
-	1	1	1	1	690815-1	STOP, TERMINAL	12	
-	1	1	1	1	1-240644-7	PLATE, REAR SHEAR	11	
-	2	2	2	2	240645-5	SPACER, SHEAR PLATE	10	
-	1	1	1	1	690619-4	PLATE, RETAINING	9	
-	1	2	2	1	1213862-8	ANVIL, SPLICE TYPE	8	
-	1	1	1	1	459722-1	BLADE, SHEAR	7	
-	-	-	-	-	-	-	6	
-	1	1	1	1	4-238011-9	BLOCK, CRIMPER SPACER	4	
-	1	2	2	1	1803108-8	CRIMPER, INSULATION O	3	
-	1	1	1	1	455888-2	SPACER, CRIMPER	2	
-	1	2	2	1	1-1338125-3	CRIMPER, WIRE	1	
-	77	72	71	2	-1	PART NO	DESCRIPTION	ITEM NO

<small>THIS DRAWING IS UNPUBLISHED. RELEASED FOR PUBLICATION 2017. COPYRIGHT 2017 BY TYCO ELECTRONICS CORPORATION. ALL RIGHTS RESERVED.</small>		OWN: M. HERR 30JUN2017 CHK: T. ELBIN 30JUN2017 APVD: T. ELBIN 30JUN2017	TE Connectivity Harrisburg, PA 17105-3608
DIMENSIONS: mm 		TOLERANCES UNLESS OTHERWISE SPECIFIED: 0 PLC ± 1 PLC ± 2 PLC ± 3 PLC ± 4 PLC ± ANGLES FINISH ±	NAME: Ocean End Feed Applicator SIZE: A1 CAGE CODE: 00779 DRAWING NO: 2150190 RESTRICTED TO: Customer Accessible Production Drawing
MATERIAL:		WEIGHT:	SCALE: 1:1 SHEET: 1 of 4 REV: C



THIS DRAWING IS UNPUBLISHED.	RELEASED FOR PUBLICATION	2017	
COPYRIGHT 2017 BY TYCO ELECTRONICS CORPORATION. ALL RIGHTS RESERVED.			
PART NUMBER	REVISION	DESCRIPTION	FEED TYPE
2-2150190-1	C	FINE CRIMP HEIGHT ADJUST	MECHANICAL
2-2150190-2	C	FINE CRIMP HEIGHT ADJUST	PNEUMATIC
7-2150190-7	A	CRIMP TOOLING KIT	-

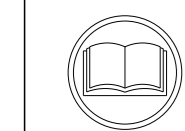
PACIFIC VERSION TERMINATOR  
INTERFACE ADAPTER



APPLICATOR DATA		
CRIMP	SIZE	TYPE
WIRE	3.30 mm [.130]	F
INSUL	4.57 mm [.180]	O
APPL INSTRUCTIONS 408-35043		

TERMINAL DATA: TE TERMINAL		TE CRIMP SPECIFICATION	
TERMINAL NAME: TAB, FASTON, FLAG, .250 SERIES			
WIRE STRIP LENGTH		INSULATION DIAMETER RANGE	
3.31-4.07 mm [.130-.160 IN]		Ø2.03-3.05 mm [.080-.120 IN]	
TERMINAL APPLICATION SPECIFICATION	114-2028	-	
TERMINALS APPLIED			
TE TERMINAL	TE TERMINAL	TE TERMINAL	TE TERMINAL
42770-2	42770-4	1217324-1	

WIRE SIZE	CRIMP HEIGHT mm [INCH]	CRIMP HEIGHT REFERENCE SETTING
14 AWG	2.62 +/- 0.05 [.103 +/- .002]	5.0
16 AWG	2.44 +/- 0.05 [.096 +/- .002]	6.7
18 AWG	2.31 +/- 0.05 [.091 +/- .002]	8.2



- 1 RECOMMENDED SPARE PARTS
- 2 REFER TO SUPPLIED INSTRUCTION SHEET FOR CLEANING, LUBRICATION AND STORAGE OF APPLICATOR.
- 3 APPLY PART NUMBER 2-23419-6 LOCTITE TO THREADS OF ITEM 242.
- 4 CRIMP HEIGHT REFERENCE SETTING WAS THE SETTING USED WHEN THE APPLICATOR WAS QUALIFIED AT THE FACTORY. ADJUSTMENT MAY BE NECESSARY WHEN RUNNING APPLICATOR IN THE FIELD.
- 5. UNLESS SPECIFIED OTHERWISE TORQUE VALUES SHALL BE USED PER DOCUMENT, 101-35000.
- 6 TERMINAL LUBRICANT IS RECOMMENDED.

**\*WARNING**  
ON INSTALLATION, SET WIRE DISC TO CRIMP HEIGHT REFERENCE SETTING FOR LARGEST WIRE SIZE. CRIMP HEIGHT REFERENCE SETTINGS GREATER THAN THE VALUE SHOWN MAY CAUSE DAMAGE TO THE CRIMP TOOLING, REFER TO THE INSTRUCTION SHEET FOR PROPER SETUP AND ADJUSTMENTS.

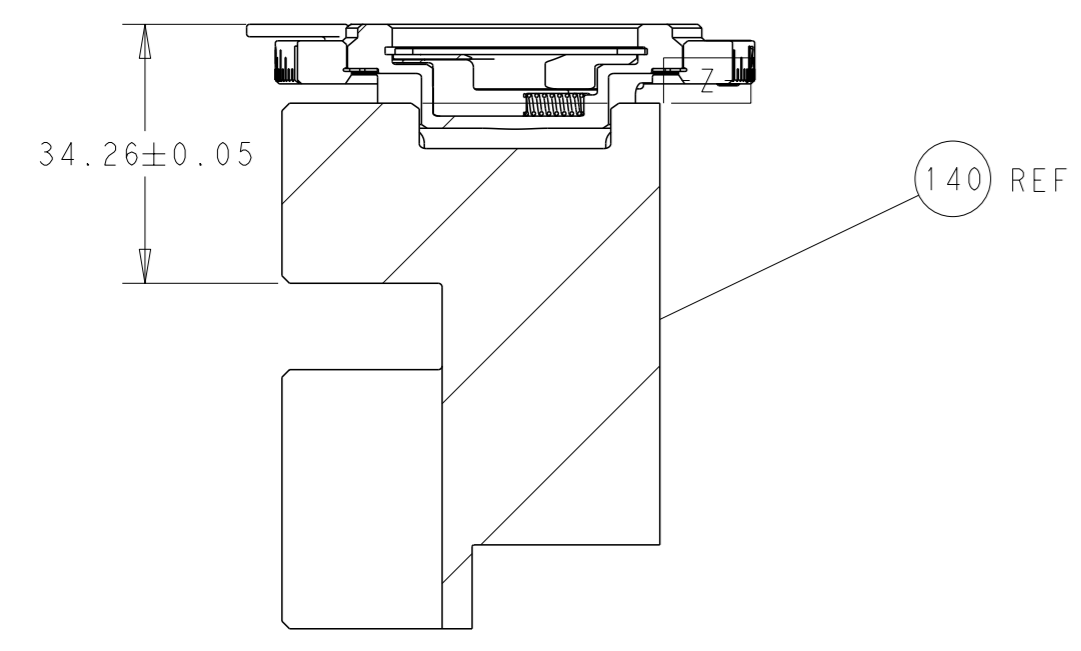
**PACIFIC VERSION**  
Shown on sheets 3 of 4 & 4 of 4  
(Atlantic version shown on sheets 1 of 4 & 2 of 4)

LOC	DIST	REVISIONS					
A	66	P	LYR	DESCRIPTION	DATE	OWN	APVD
		-		SEE SHEET 1	-	-	-

-	1	1	1803078-5	SPACER, PRECISION	259
-	1	1	2119082-7	CAM, SNAIL, INSULATION ADJUSTMENT	244
-	1	1	2079764-1	WASHER, WAVE SPRING, CREST-TO-CREST	243
3	-	1	2119083-1	RETAINER, INSULATION DIAL	242
-	-	1	2119580-1	MECHANICAL FEED ASSEMBLY	239
-	1	-	2844940-3	AIR FEED MODULE	238
-	1	1	1-18028-0	WASHER, FLAT, REG M8	192
-	4	4	2079383-9	SCR, BHSC, RoHS (M6 X 20)	186
-	REFREF		994970-2	COUNTER, MAGNETIC	164
-	1	-	2119641-2	FEED CAM, AIR FEED	152
-	-	1	2119653-2	FEED CAM, POST FEED	142
-	1	1	1-2119655-8	APPLICATOR BASIC ASSEMBLY, EF	141
-	1	1	1803518-2	RAM ASSEMBLY, EF PACIFIC	140
-	1	1	18023-1	SCR, SKT HD CAP M3 X 5.0	111
6	-	1	2119955-2	ASSY, LUBRICATOR, END FEED	84
-	1	1	455888-5	SPACER, CRIMPER	82
-	1	1	1803607-4	DOCUMENTATION PACKAGE	71
-	2	2	2-18032-2	SCR, SET, FLT PNT, M3 X 10.0	70
-	1	1	2119740-1	TAG, IDENTIFICATION	67
-	2	2	2168078-1	SCREW, DRIVE, RH, RoHS, 2 x .188	66
-	1	1	5-18022-5	SCR, HEX HD CAP, M4 X 6.0	59
-	-	1	2063961-1	FEED FINGER	58
-	4	4	2168400-4	SHCS, LOW HEAD, RoHS, M4 X 8	57
-	2	2	5018030-1	NUT, HEX, REG, RoHS, M3	54
-	2	2	986965-8	NUT, LOCK, HEX, TORQUE (M4)	53
-	1	-	2063961-9	FEED FINGER	51
-	1	2	18023-9	SCR, SKT HD CAP M4 X 6.0	49
-	-	1	2119652-1	FEED CAM, PRE FEED	48
-	1	1	2-2079383-0	SCR, BHSC, RoHS (M8 X 35)	41
-	8	8	1-18028-2	WASHER, FLAT, REG M4	33
-	2	2	1-2168083-2	SCR, SKT HD CAP, RoHS, M4 X 25	31
-	2	2	2168083-2	SCR, SKT HD CAP, RoHS, M4 X 8.0	29
-	1	1	240639-2	STRIPPER (MACHINING)	27
-	2	2	1-2168083-6	SCR, SKT HD CAP, RoHS, M4 X 35	25
-	1	1	1803562-1	PLATE, STRIP GUIDE	24
-	2	2	2-22281-3	SPRING, COMPRESSION	22
-	1	1	1803292-9	DRAG	20
-	1	1	8-1901696-9	STRIP GUIDE, REAR	19
-	1	1	2-1901259-0	GUIDE, LOWER STRIP	18
-	1	1	1803564-1	ANVIL, SPLICE TYPE, SPECIAL	14
-	1	1	690815-1	STOP, TERMINAL	12
1	-	1	1-240644-7	PLATE, REAR SHEAR	11
-	2	2	240645-5	SPACER, SHEAR PLATE	10
1	-	1	690619-4	PLATE, RETAINING	9
1	1	1	1213862-8	ANVIL, SPLICE TYPE	8
1	-	1	459722-1	BLADE, SHEAR	7
-	-	-	-	-	6
-	1	1	4-238011-9	BLOCK, CRIMPER SPACER	4
1	1	1	1803108-8	CRIMPER, INSULATION O	3
-	1	1	455888-2	SPACER, CRIMPER	2
1	1	1	1-1338125-3	CRIMPER, WIRE	1
-	77-22-21		PART NO	DESCRIPTION	ITEM NO

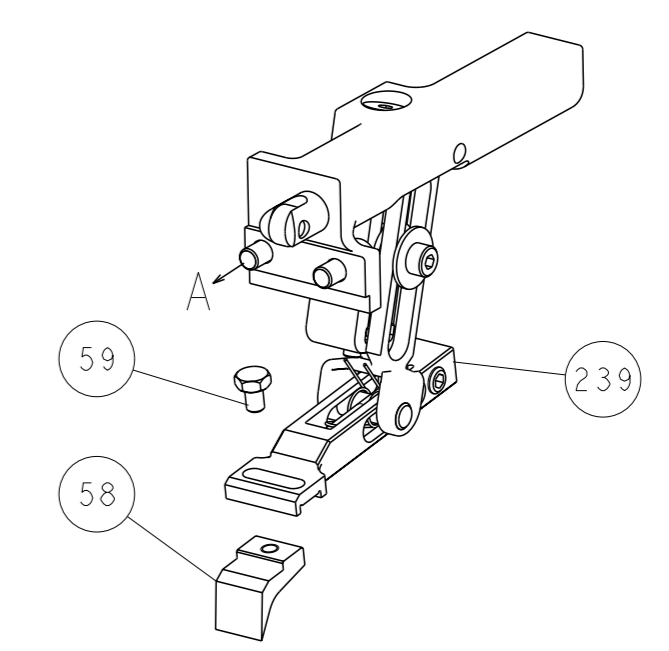
DIMENSIONS:		TOLERANCES UNLESS OTHERWISE SPECIFIED:		OWN	M. HERR	30 JUN 2017	TE Connectivity Harrisburg, PA 17105-3608
mm	0 PLC ± 1 PLC ± 3 PLC ± 4 PLC ±	±	±	CHK	T. ELBIN	30 JUN 2017	
MATERIAL:		FINISH:		APVD	T. ELBIN	30 JUN 2017	Ocean End Feed Applicator
-		-		PRODUCT SPEC	-		
-		-		APPLICATION SPEC	-		SIZE
-		-		WEIGHT	-		CAGE CODE
-		-		SCALE	1:1		DRAWING NO
-		-		RESTRICTED TO	-		00779
-		-		Customer Accessible Production Drawing	-		©=2150190
-		-		SHEET	3		REV
-		-		SCALE	1:1		3 OF 4

LOC		DIST		REVISIONS			
A	66	P	LYR	DESCRIPTION	DATE	OWN	APVD
		-		SEE SHEET 1	-	-	-

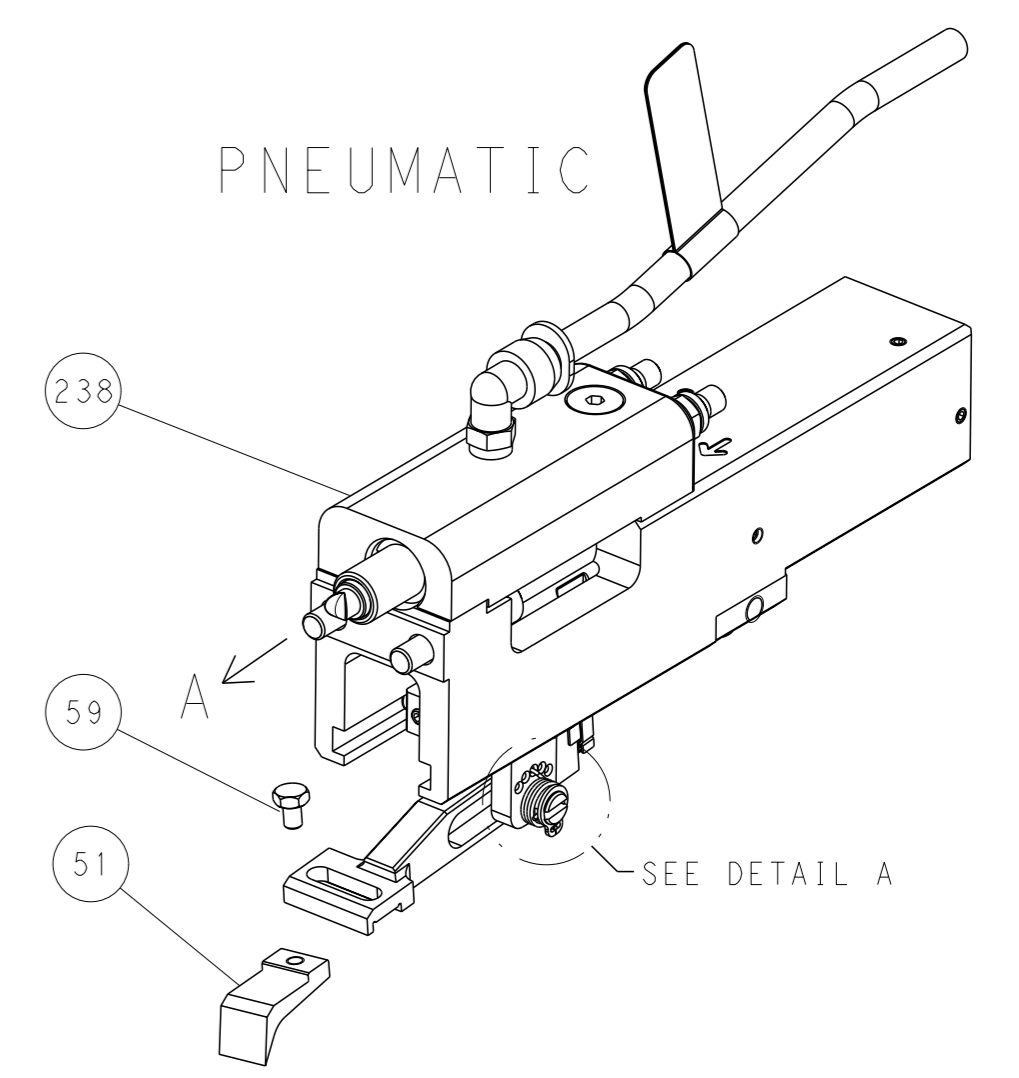


RAM SET-UP

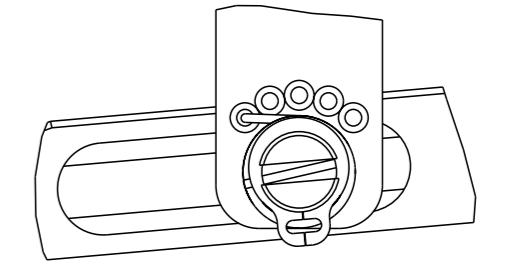
FEED TYPE  
MECHANICAL



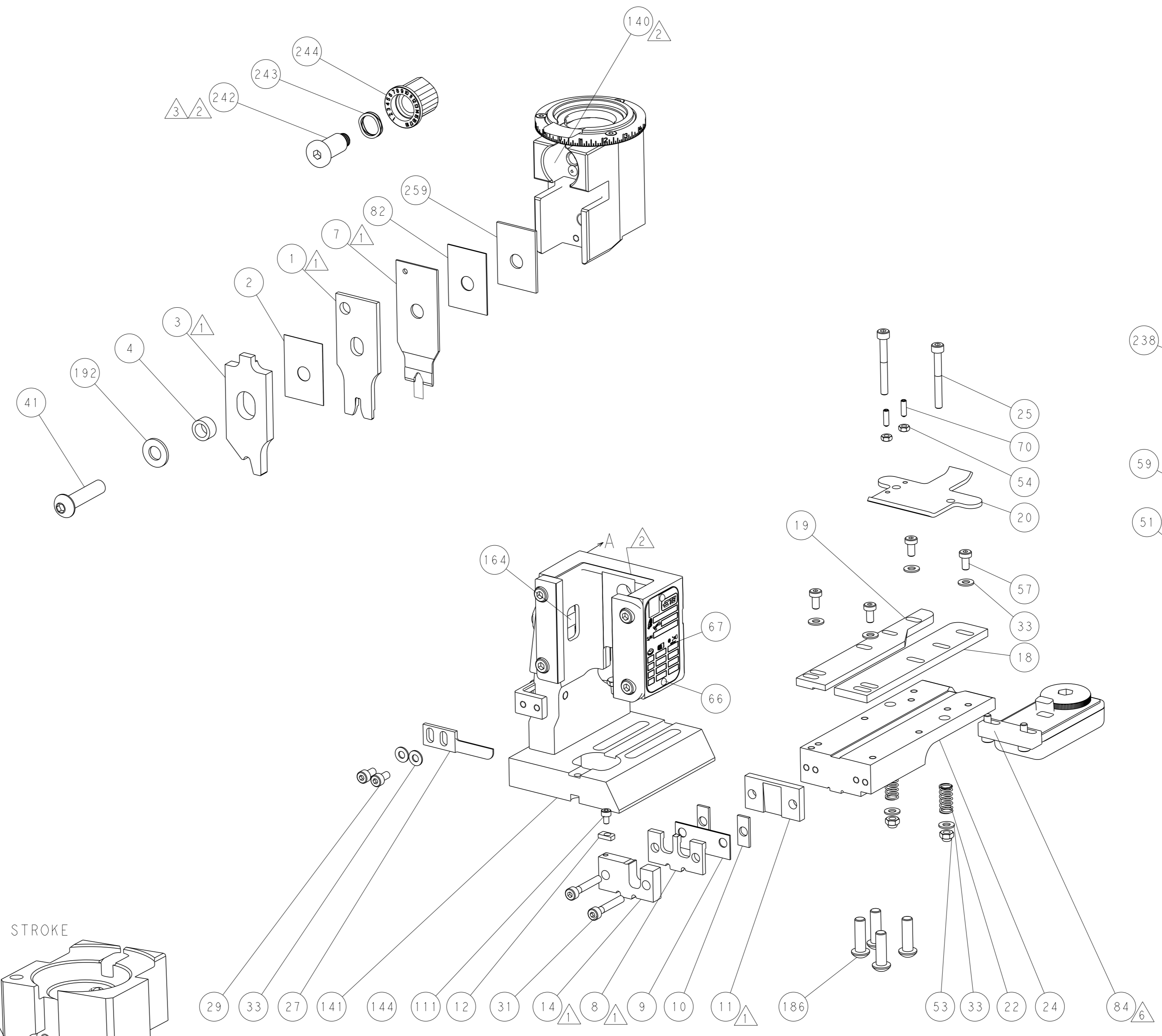
PNEUMATIC



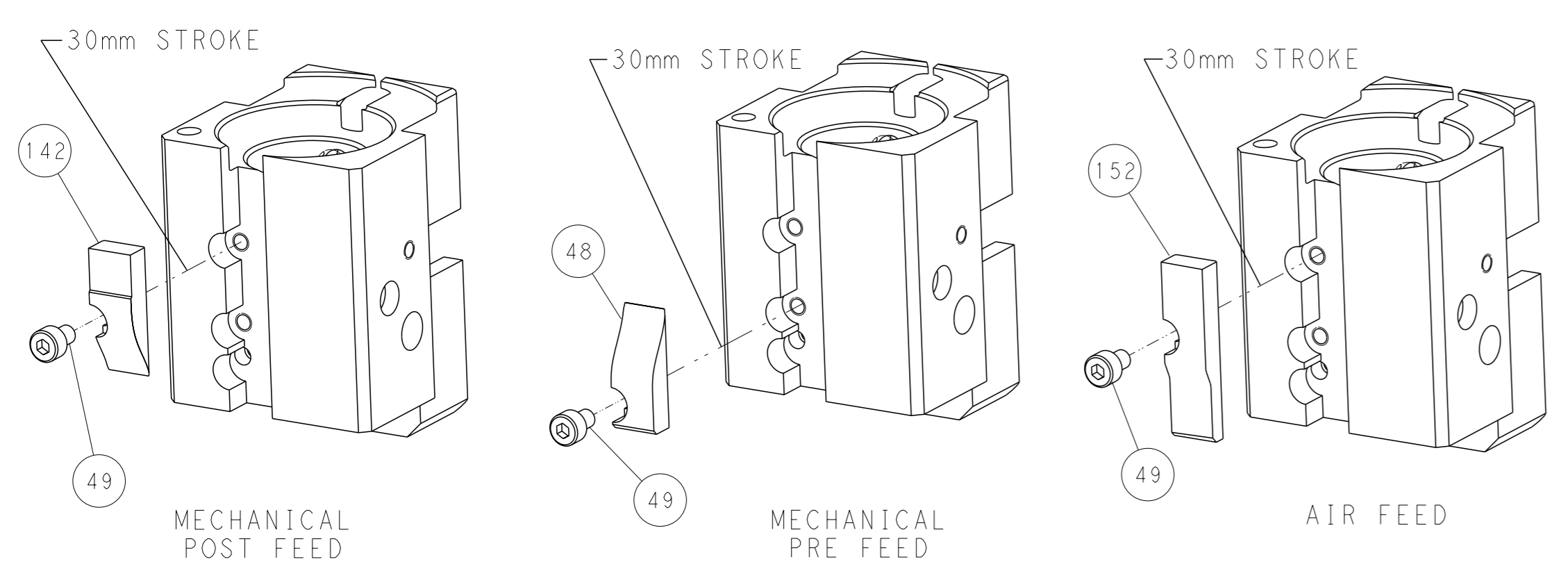
FEED SPRING  
SETTING POSITION



DETAIL A



CAM POSITIONS



PACIFIC VERSION  
 Shown on sheets 3 of 4 & 4 of 4  
 (Atlantic version shown on sheets 1 of 4 & 2 of 4)

<small>THIS DRAWING IS A CONTROLLED DOCUMENT FOR TYCO ELECTRONICS CORPORATION. IT IS SUBJECT TO CHANGE AND TO PATENT AND INTELLECTUAL PROPERTY RIGHTS. DISSEMINATION SHOULD BE CONTROLLED FOR THE LATEST VERSION.</small>		OWN: M. HERR CHK: T. ELBIN APVD: T. ELBIN DATE: 30 JUN 2017	NAME: Ocean End Feed Applicator SIZE: A1 CAGE CODE: 00779 DRAWING NO: C-2150190	RESTRICTED TO: - SCALE: 1:1 SHEET: 4 of 4 REV: C
DIMENSIONS: mm TOLERANCES UNLESS OTHERWISE SPECIFIED: 0 PLC ± 1 PLC ± 2 PLC ± 3 PLC ± 4 PLC ± ANGLES FINISH *		WEIGHT: - MATERIAL: -	CUSTOMER ACCESSIBLE PRODUCTION DRAWING	