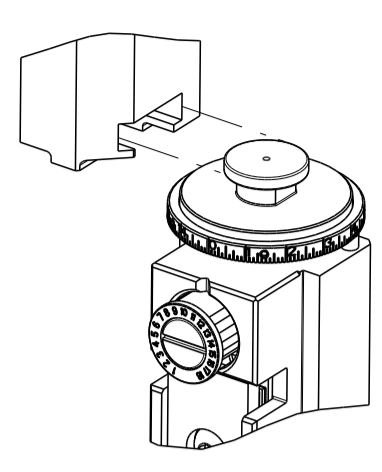


| PART NUMBER | REVISION | DESCRIPTION                      | FEED TYPE  |
|-------------|----------|----------------------------------|------------|
| 2150191-1   | G        | FINE CRIMP HEIGHT ADJUST         | MECHANICAL |
| 2150191-2   | G        | FINE CRIMP HEIGHT ADJUST         | PNEUMATIC  |
| 7-2150191-1 | G        | MECHANICAL AND CRIMP TOOLING KIT | MECHANICAL |
| 7-2150191-2 | G        | PNEUMATIC AND CRIMP TOOLING KIT  | PNEUMATIC  |
| 7-2150191-7 | A        | CRIMP TOOLING KIT                | -          |

ATLANTIC VERSION TERMINATOR INTERFACE ADAPTER



| APPLICATOR DATA                |                |      |
|--------------------------------|----------------|------|
| CRIMP                          | SIZE           | TYPE |
| WIRE                           | 2.79 mm [.110] | F    |
| INSUL                          | 3.56 mm [.140] | OV   |
| APPL INSTRUCTIONS<br>408-35043 |                |      |

| TERMINAL DATA: TE TERMINAL                    |             | TE CRIMP SPECIFICATION       |             |
|---|-------------|------------------------------|-------------|
| TERMINAL NAME: .250 SRS FAST-IN-ON RECEPTACLE |             |                              |             |
| WIRE STRIP LENGTH                             |             | INSULATION DIAMETER RANGE    |             |
| 5.80-6.60 mm [.228-.260 IN]                   |             | ∅2.10-3.10 mm [.083-.122 IN] |             |
| TERMINAL APPLICATION SPECIFICATION            | 114-2025    |                              |             |
| TERMINALS APPLIED                             |             |                              |             |
| TE TERMINAL                                   | TE TERMINAL | TE TERMINAL                  | TE TERMINAL |
| 160927-1                                      | 160927-2    | 160927-3                     | 160927-4    |

| WIRE SIZE | CRIMP HEIGHT mm [INCH]     | CRIMP HEIGHT REFERENCE SETTING |
|-----------|----------------------------|--------------------------------|
| 2.50mm2   | 1.77+/-0.05 [.070+/- .002] | 3.9                            |
| 2.00mm2   | 1.64+/-0.05 [.065+/- .002] | 5.2                            |
| 1.50mm2   | 1.51+/-0.05 [.059+/- .002] | 6.7                            |
| 1.00mm2   | 1.42+/-0.05 [.056+/- .002] | 7.5                            |

- RECOMMENDED SPARE PARTS
- REFER TO SUPPLIED INSTRUCTION SHEET FOR CLEANING, LUBRICATION AND STORAGE OF APPLICATOR.
- APPLY PART NUMBER 2-23419-6 LOCTITE TO THREADS OF ITEM 242. APPLY PART NUMBER 1-23419-5 LOCTITE TO THREADS OF ITEM 50.
- CRIMP HEIGHT REFERENCE SETTING WAS THE SETTING USED WHEN THE APPLICATOR WAS QUALIFIED AT THE FACTORY. ADJUSTMENT MAY BE NECESSARY WHEN RUNNING APPLICATOR IN THE FIELD.
- TERMINAL LUBRICANT IS RECOMMENDED.
- 6. UNLESS SPECIFIED OTHERWISE TORQUE VALUES SHALL BE USED PER DOCUMENT, 101-35000.

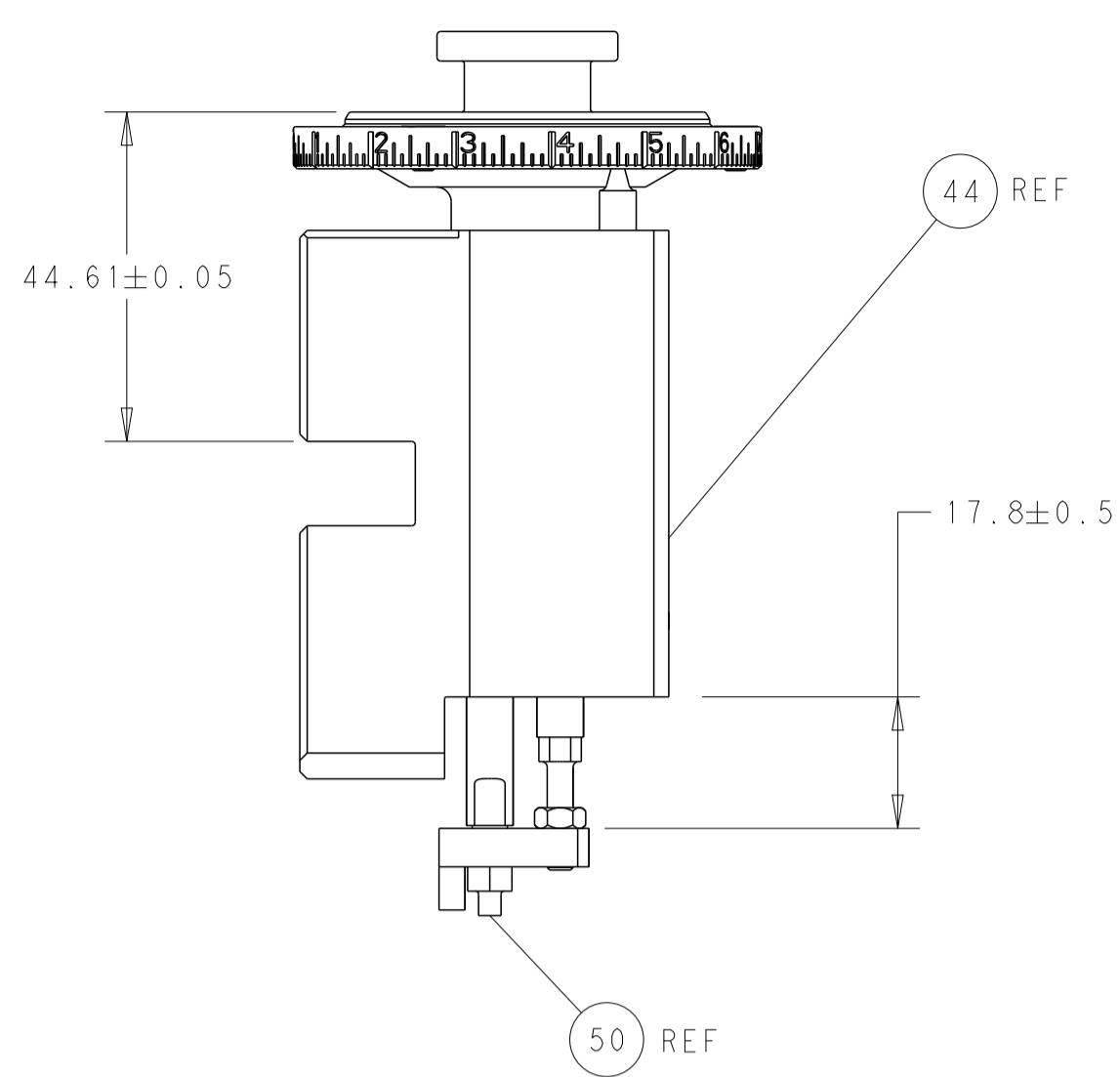
**\*WARNING**  
 ON INSTALLATION, SET WIRE DISC TO CRIMP HEIGHT REFERENCE SETTING FOR LARGEST WIRE SIZE. CRIMP HEIGHT REFERENCE SETTINGS GREATER THAN THE VALUE SHOWN MAY CAUSE DAMAGE TO THE CRIMP TOOLING. REFER TO THE INSTRUCTION SHEET FOR PROPER SETUP AND ADJUSTMENTS.

| LOC | DIST | REVISIONS |     |               |           |     |      |
|-----|------|-----------|-----|---------------|-----------|-----|------|
| A   | 66   | P         | LTN | DESCRIPTION   | DATE      | OWN | APVD |
|     |      | D         |     | ECR-18-015451 | 28SEP2018 | TB  | TE   |
|     |      | E         |     | ECR-21-002654 | 02MAR2021 | JAH | RR   |
|     |      | F         |     | ECR-23-164961 | 31JAN2023 | FZ  | TE   |
|     |      | G         |     | ECR-24-202061 | 07MAR2024 | FZ  | TE   |

|   |     |     |     |     |             |                                     |             |         |
|---|-----|-----|-----|-----|-------------|-------------------------------------|-------------|---------|
| - | 1   | -   | 1   | -   | 2119641-1   | FEED CAM, AIR FEED                  | 248         |         |
| - | 1   | 1   | 1   | 1   | 2119082-9   | CAM, SNAIL, INSULATION ADJUSTMENT   | 244         |         |
| - | 1   | 1   | 1   | 1   | 2079764-1   | WASHER, WAVE SPRING, CREST-TO-CREST | 243         |         |
| 3 | -   | 1   | 1   | 1   | 2119083-1   | RETAINER, INSULATION DIAL           | 242         |         |
| - | -   | 1   | -   | 1   | 2119580-1   | MECHANICAL FEED ASSEMBLY            | 239         |         |
| - | 1   | -   | 1   | -   | 2844940-3   | AIR FEED MODULE                     | 238         |         |
| - | 1   | 1   | 1   | 1   | 1-18028-0   | WASHER, FLAT, REG M8                | 192         |         |
| - | 1   | 1   | 1   | 1   | 6-993111-6  | PIN, SLOTTED SPRING 3.0 X 14.0      | 177         |         |
| - | 1   | 1   | 1   | 1   | 8-22280-7   | SPRING, COMPRESSION                 | 176         |         |
| - | 1   | 1   | 1   | 1   | 1752353-2   | GUIDE PIN, HOLDDOWN                 | 175         |         |
| - | 1   | 1   | 1   | 1   | 1901680-2   | GUIDE PIN, HOLDDOWN                 | 174         |         |
| - | REF | REF | REF | REF | 994970-2    | COUNTER, MAGNETIC                   | 164         |         |
| 5 | -   | 1   | 1   | 1   | 2119955-2   | ASSY, LUBRICATOR, END FEED          | 84          |         |
| - | 1   | 1   | 1   | 1   | 455888-4    | SPACER, CRIMPER -                   | 82          |         |
| - | 1   | 1   | 1   | 1   | 1803607-4   | DOCUMENTATION PACKAGE               | 71          |         |
| - | 2   | 2   | 2   | 2   | 2-18032-2   | SCR, SET, FLT PNT, M3 X 10.0        | 70          |         |
| - | 1   | 1   | 1   | 1   | 2119740-1   | TAG, IDENTIFICATION                 | 67          |         |
| - | 2   | 2   | 2   | 2   | 2168078-1   | SCREW, DRIVE, RH, RoHS, 2 x .188    | 66          |         |
| - | 1   | 1   | 1   | 1   | 1901681-5   | HOLDDOWN, TERMINAL                  | 65          |         |
| - | 2   | 2   | 2   | 2   | 2168400-5   | SHCS, LOW HEAD, RoHS, M4 X 20       | 64          |         |
| - | 1   | 1   | 1   | 1   | 2168083-2   | SCR, SKT HD CAP, RoHS, M4 X 8.0     | 60          |         |
| - | 1   | 1   | 1   | 1   | 5-18022-5   | SCR, HEX HD CAP, M4 X 6.0           | 59          |         |
| - | -   | 1   | -   | 1   | 2063961-1   | FEED FINGER                         | 58          |         |
| - | 3   | 3   | 3   | 3   | 2168400-4   | SHCS, LOW HEAD, RoHS, M4 X 8        | 57          |         |
| - | 2   | 2   | 2   | 2   | 1-2168083-0 | SCR, SKT HD CAP, RoHS, M4 X 10      | 56          |         |
| - | 2   | 2   | 2   | 2   | 5018030-1   | NUT, HEX, REG, RoHS, M3             | 54          |         |
| - | 2   | 2   | 2   | 2   | 986965-8    | NUT, LOCK, HEX, TORQUE (M4)         | 53          |         |
| - | 1   | 1   | 1   | 1   | 1-5018030-0 | NUT, HEX, REG, RoHS, M3.5           | 52          |         |
| - | 1   | -   | 1   | -   | 2063961-1   | FEED FINGER                         | 51          |         |
| 3 | -   | 1   | 1   | 1   | 1-1976055-1 | STANDOFF, HOLD-DOWN                 | 50          |         |
| - | 1   | 2   | 1   | 2   | 18023-9     | SCR, SKT HD CAP M4 X 6.0            | 49          |         |
| - | -   | 1   | -   | 1   | 2119652-1   | FEED CAM, PRE FEED                  | 48          |         |
| - | -   | 1   | -   | 1   | 2119653-1   | FEED CAM, POST FEED                 | 47          |         |
| - | 1   | 1   | 1   | 1   | 2119655-5   | APPLICATOR BASIC ASSEMBLY, EF       | 46          |         |
| - | 1   | 1   | 1   | 1   | 1803517-1   | RAM ASSEMBLY, EF ATLANTIC           | 44          |         |
| - | 1   | 1   | 1   | 1   | 1803602-1   | SCR, BHSC, RoHS (M8 X 25)           | 41          |         |
| - | 7   | 7   | 7   | 7   | 1-18028-2   | WASHER, FLAT, REG M4                | 33          |         |
| - | 2   | 2   | 2   | 2   | 2168083-9   | SCR, SKT HD CAP, RoHS, M4 X 20      | 31          |         |
| - | 2   | 2   | 2   | 2   | 2168083-2   | SCR, SKT HD CAP, RoHS, M4 X 8.0     | 29          |         |
| - | 1   | 1   | 1   | 1   | 240639-1    | STRIPPER (MACHINING)                | 27          |         |
| - | 2   | 2   | 2   | 2   | 1-2168083-5 | SCR, SKT HD CAP, RoHS, M4 X 30      | 25          |         |
| - | 1   | 1   | 1   | 1   | 1752371-3   | PLATE, STRIP GUIDE                  | 24          |         |
| - | 1   | 1   | 1   | 1   | 240825-1    | PLATE, STRIP HOLD DOWN              | 23          |         |
| - | 2   | 2   | 2   | 2   | 2-22281-3   | SPRING, COMPRESSION                 | 22          |         |
| - | 1   | 1   | 1   | 1   | 1803292-4   | DRAG                                | 20          |         |
| - | 2   | 2   | 2   | 2   | 1901259-5   | GUIDE, LOWER STRIP                  | 18          |         |
| - | 4   | 4   | 4   | 4   | 1-2079383-1 | SCR, BHSC, RoHS (M6 X 12)           | 17          |         |
| - | 1   | 1   | 1   | 1   | 1752360-1   | SPACER, HOLD-DOWN                   | 13          |         |
| 1 | -   | 1   | 1   | 1   | 240833-3    | PLATE, REAR SHEAR                   | 11          |         |
| - | -   | -   | -   | -   | -           | -                                   | 10          |         |
| 1 | -   | 1   | 1   | 1   | 690482-3    | PLATE, FRONT SHEAR                  | 9           |         |
| 1 | 1   | 2   | 2   | 1   | 1333219-6   | ANVIL, COMBINATION                  | 8           |         |
| 1 | -   | 1   | 1   | 1   | 1-2217206-3 | BLADE, SLUG                         | 7           |         |
| - | -   | -   | -   | -   | -           | -                                   | 6           |         |
| - | 1   | 1   | 1   | 1   | 1-240641-2  | SPACER                              | 5           |         |
| - | 1   | 1   | 1   | 1   | 238011-2    | BLOCK, CRIMPER SPACER               | 4           |         |
| 1 | 1   | 2   | 2   | 1   | 3-2119785-3 | CRIMPER, INSULATION OVERLAP PREMIUM | 3           |         |
| - | 1   | 1   | 1   | 1   | 455888-7    | SPACER, CRIMPER -                   | 2           |         |
| 1 | 1   | 2   | 2   | 1   | 5-730251-9  | CRIMPER, WIRE                       | 1           |         |
| - | 77  | 72  | 71  | 2   | -1          | PART NO                             | DESCRIPTION | ITEM NO |

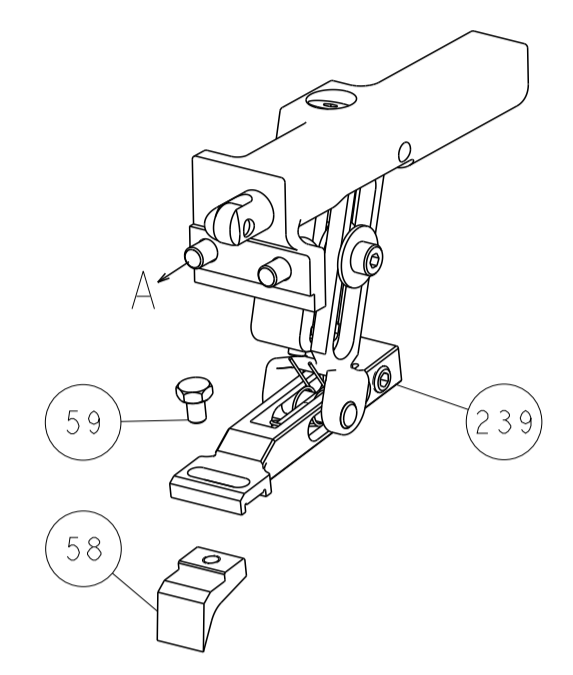
|                       |  |   |  |  |  |  |  |
|-----------------------|--|---|--|--|--|--|--|
| DIMENSIONS:<br>mm<br> |  | TOLERANCES UNLESS OTHERWISE SPECIFIED:<br>0 PLC ±<br>1 PLC ±<br>2 PLC ±<br>3 PLC ±<br>4 PLC ±<br>ANGLES ±<br>FINISH |  | DWN: HOFFNER 11JUN2013<br>CHK: T. ELBIN 12JUN2013<br>APVD: T. ELBIN 12JUN2013<br>PRODUCT SPEC<br>APPLICATION SPEC<br>WEIGHT: -<br>SCALE: A   00779 C=2150191 |  | TE Connectivity<br>Harrisburg, PA 17105-3608<br>Ocean End Feed<br>Applicator |  |
| MATERIAL: -           |  | FINISH: -   |  | RESTRICTED TO: -   |  | Customer Accessible Production Drawing                                       |  |
| SCALE: 1:1            |  | SHEET 1 OF 4  |  | REV: G   |  |  |  |

| LOC |    | DIST |     | REVISIONS   |      |     |      |
|-----|----|------|-----|-------------|------|-----|------|
| A   | 66 | P    | LTM | DESCRIPTION | DATE | OWN | APVD |
|     |    | -    |     | SEE SHEET 1 |      |     |      |

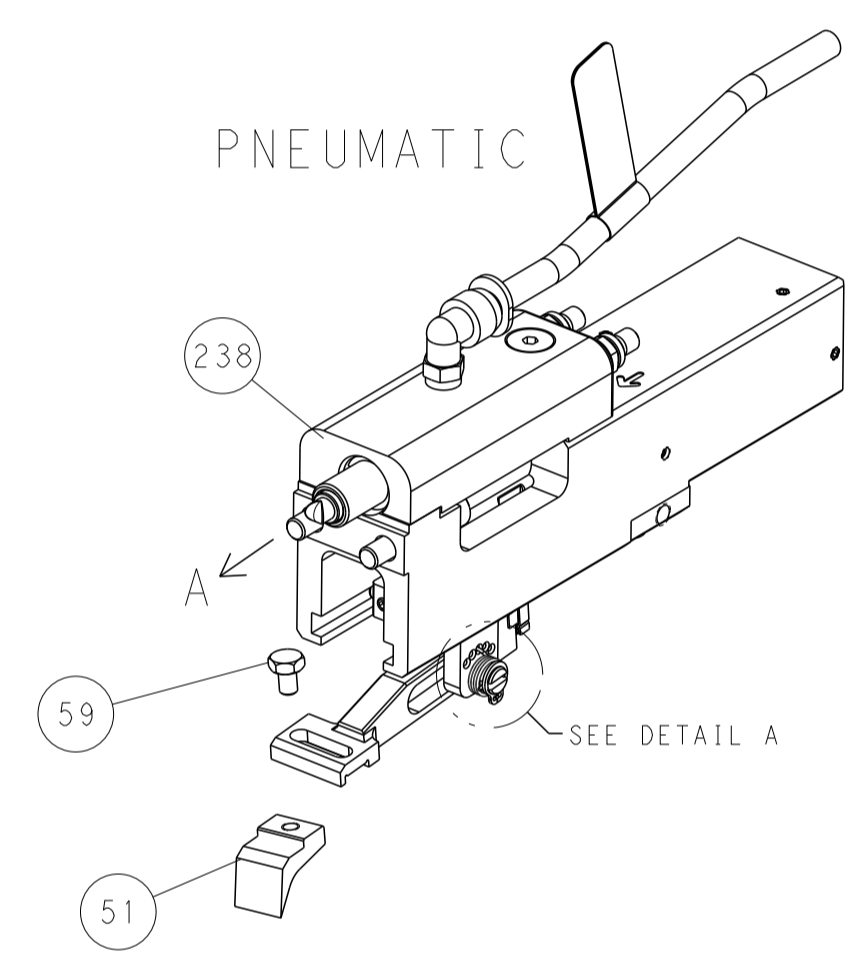


RAM AND HOLDDOWN SET-UP

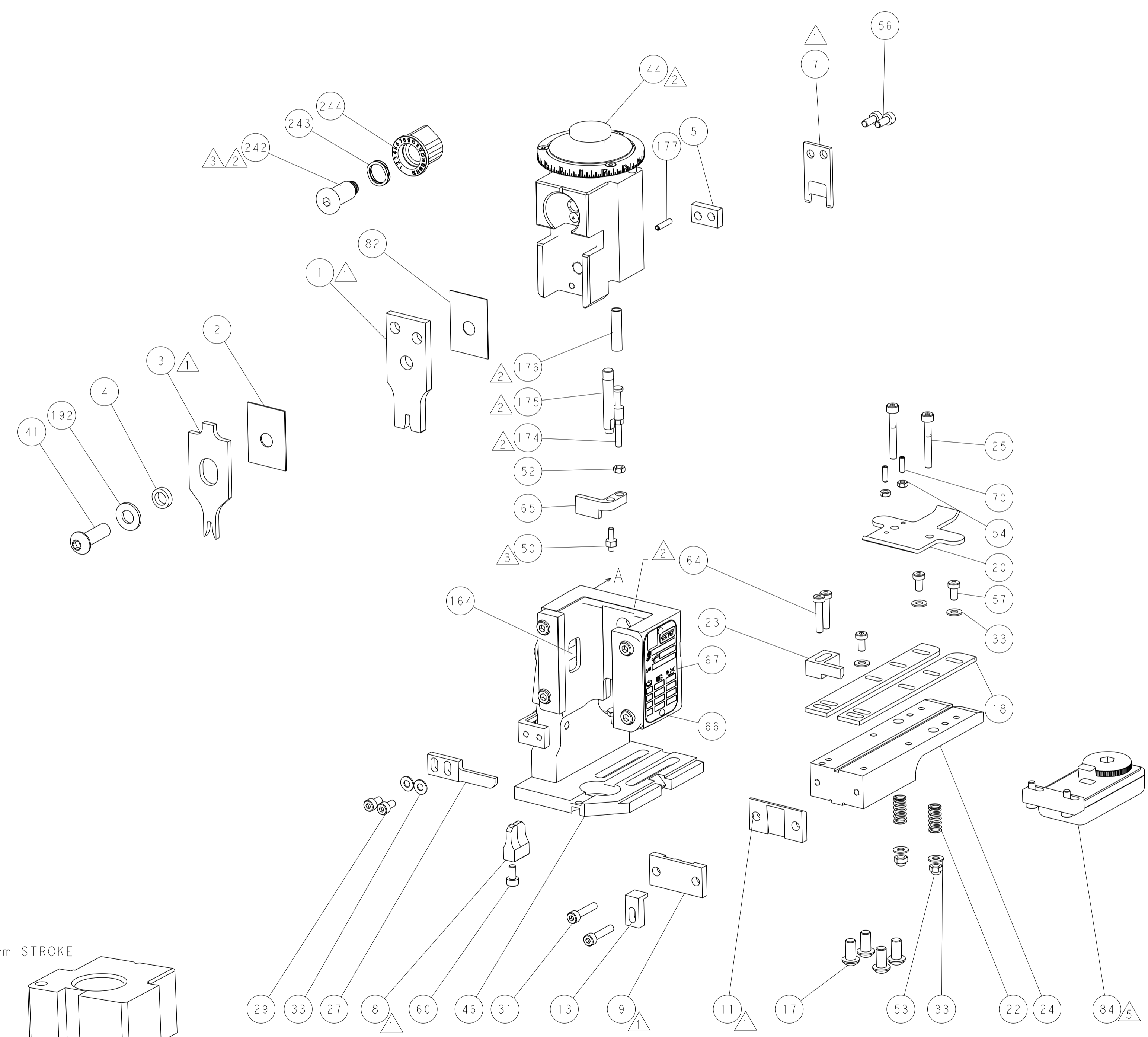
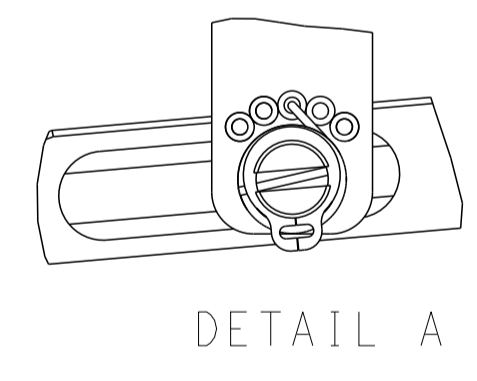
FEED TYPE  
MECHANICAL



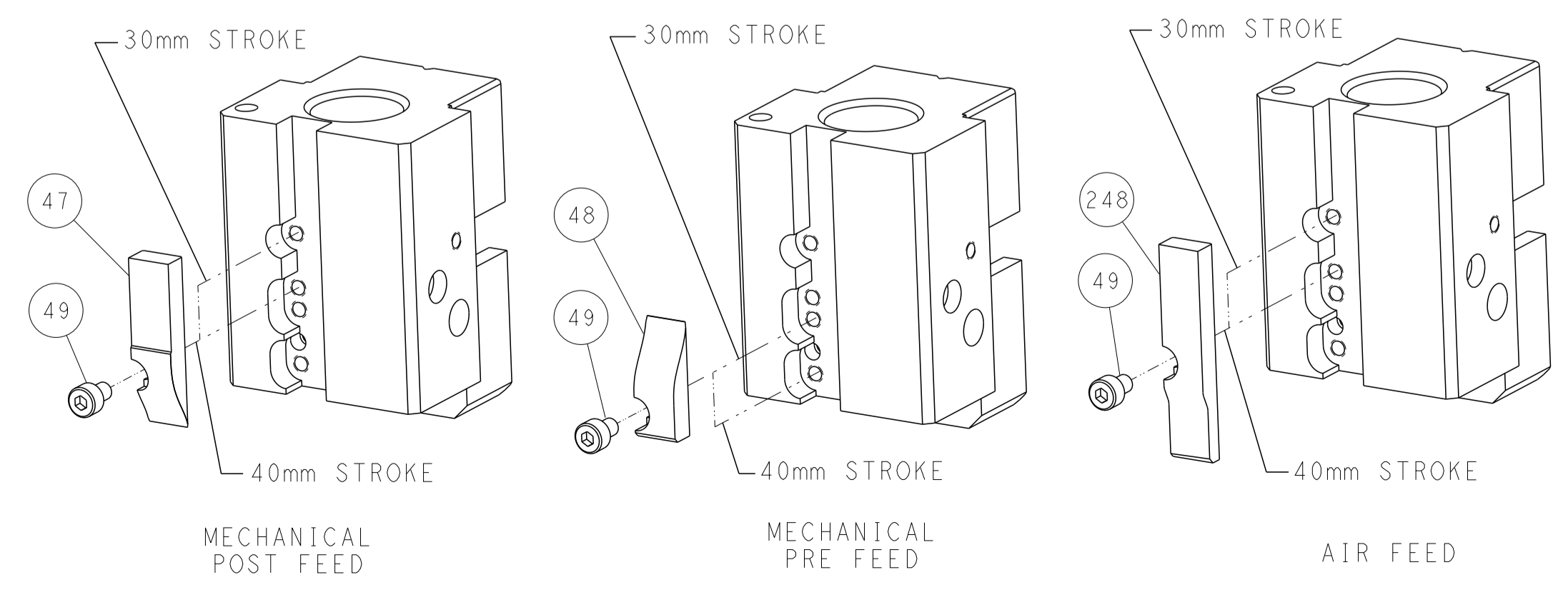
PNEUMATIC



FEED SPRING  
SETTING POSITION



CAM POSITIONS



|   |  |   |   |
|---|--|---|---|
| <small>THIS DRAWING IS UNPUBLISHED. RELEASED FOR PUBLICATION BY TYCO ELECTRONICS CORPORATION. ALL RIGHTS RESERVED.</small>              |  | DWN: HOFFNER 11JUN2013<br>CHK: T. ELBIN 12JUN2013<br>APVD: T. ELBIN 12JUN2013 | TE Connectivity<br>Harrisburg, PA 17105-3608                              |
| DIMENSIONS: mm<br>TOLERANCES UNLESS OTHERWISE SPECIFIED:<br>0 PLC ±<br>1 PLC ±<br>2 PLC ±<br>3 PLC ±<br>4 PLC ±<br>ANGLES ° ±<br>FINISH |  | NAME: Ocean End Feed Applier<br>PRODUCT SPEC:<br>APPLICATION SPEC:<br>WEIGHT: | SIZE: A1<br>CAGE CODE: 00779<br>DRAWING NO: C=2150191<br>RESTRICTED TO: G |
| MATERIAL:   |  | SCALE: 1:1<br>SHEET: 2 OF 4<br>REV: G   | Customer Accessible Production Drawing                                    |