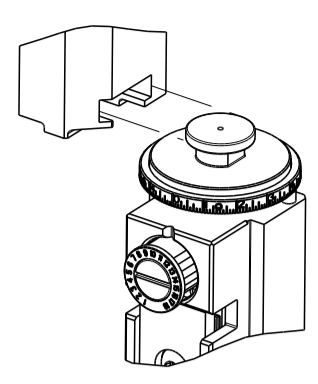


PART NUMBER	REVISION	DESCRIPTION	FEED TYPE
2150223-2	G	FINE CRIMP HEIGHT ADJUST	PNEUMATIC
7-2150223-7	F	CRIMP TOOLING KIT	-

ATLANTIC VERSION TERMINATOR
 INTERFACE ADAPTER



APPLICATOR DATA		
CRIMP	SIZE	TYPE
WIRE	4.57 mm [.180]	F
INSUL	6.35 mm [.250]	F
APPL INSTRUCTIONS 408-35043		

TERMINAL DATA: TE TERMINAL		TE CRIMP SPECIFICATION	
TERMINAL NAME: RING TONGUE			
WIRE STRIP LENGTH 5.70-6.50 mm [.224-.256 IN]		INSULATION DIAMETER RANGE Ø4.00-5.30 mm [1.57-.209 IN]	
TERMINAL APPLICATION SPECIFICATION 114-18022			
TERMINALS APPLIED 5			
TE TERMINAL 928911-1	TE TERMINAL 928911-2	TE TERMINAL	TE TERMINAL

WIRE SIZE	CRIMP HEIGHT mm [INCH]	CRIMP HEIGHT REFERENCE SETTING
6.00mm2	3.48 +/- 0.05 [1.37 +/- .002]	4.7
4.00mm2	3.16 +/- 0.05 [1.24 +/- .002]	8.3

- 1 RECOMMENDED SPARE PARTS
- 2 REFER TO SUPPLIED INSTRUCTION SHEET FOR CLEANING, LUBRICATION AND STORAGE OF APPLICATOR.
- 3 APPLY PART NUMBER 2-23419-6 LOCTITE TO THREADS OF ITEM 242.
- 4 CRIMP HEIGHT REFERENCE SETTING WAS THE SETTING USED WHEN THE APPLICATOR WAS QUALIFIED AT THE FACTORY. ADJUSTMENT MAY BE NECESSARY WHEN RUNNING APPLICATOR IN THE FIELD.
- 5 TERMINAL PITCH NOT COMPATIBLE WITH MECHANICAL FEED.
- 6 UNLESS SPECIFIED OTHERWISE TORQUE VALUES SHALL BE USED PER DOCUMENT, 101-35000.

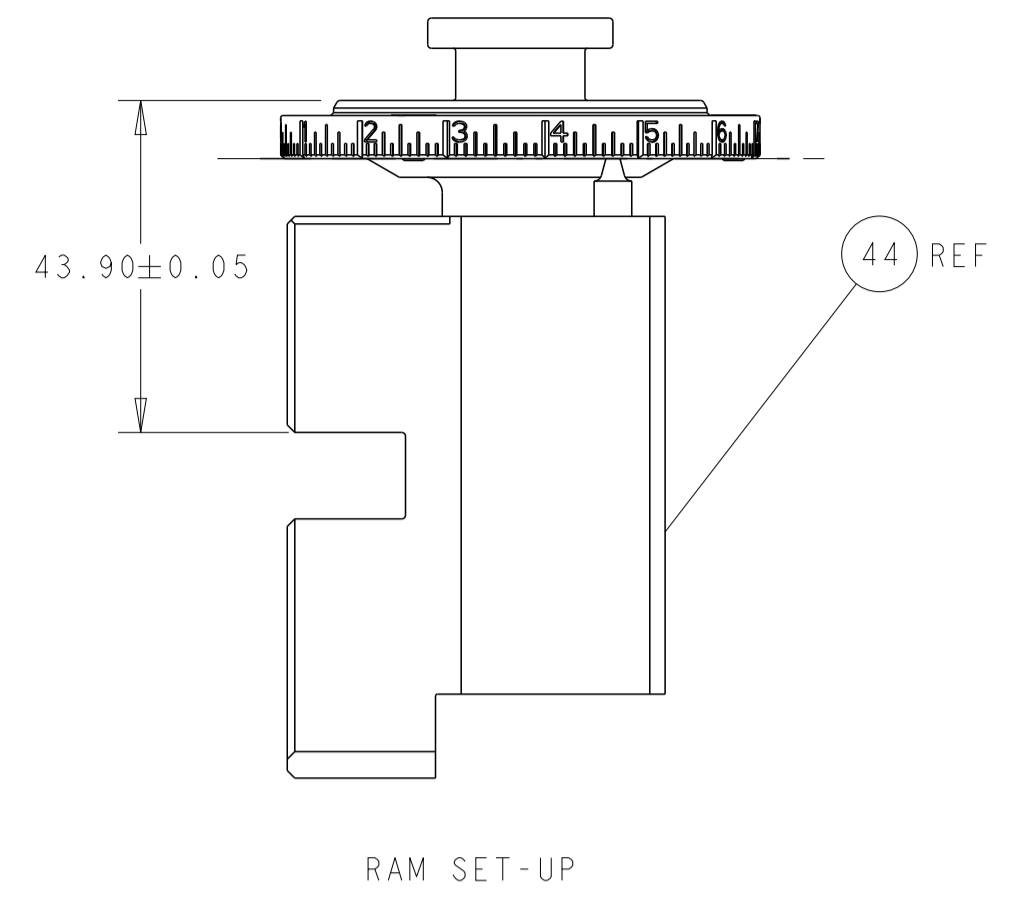
***WARNING**
 ON INSTALLATION, SET WIRE DISC TO CRIMP HEIGHT REFERENCE SETTING FOR LARGEST WIRE SIZE. CRIMP HEIGHT REFERENCE SETTINGS GREATER THAN THE VALUE SHOWN MAY CAUSE DAMAGE TO THE CRIMP TOOLING. REFER TO THE INSTRUCTION SHEET FOR PROPER SETUP AND ADJUSTMENTS.

LOC	DIST	REVISIONS					
A	66	P	LTN	DESCRIPTION	DATE	OWN	APVD
		E1		ECR-19-012199	02AUG2019	FJ	TE
		E2		ECR-19-013984	06SEP2019	FJ	TE
		F		ECR-20-012131	27AUG2020	FZ	RK
		G		ECR-24-209465	21MAY2024	ZZ	GB

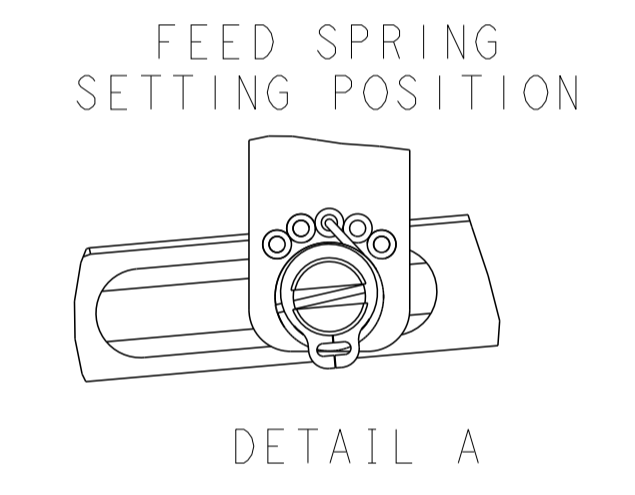
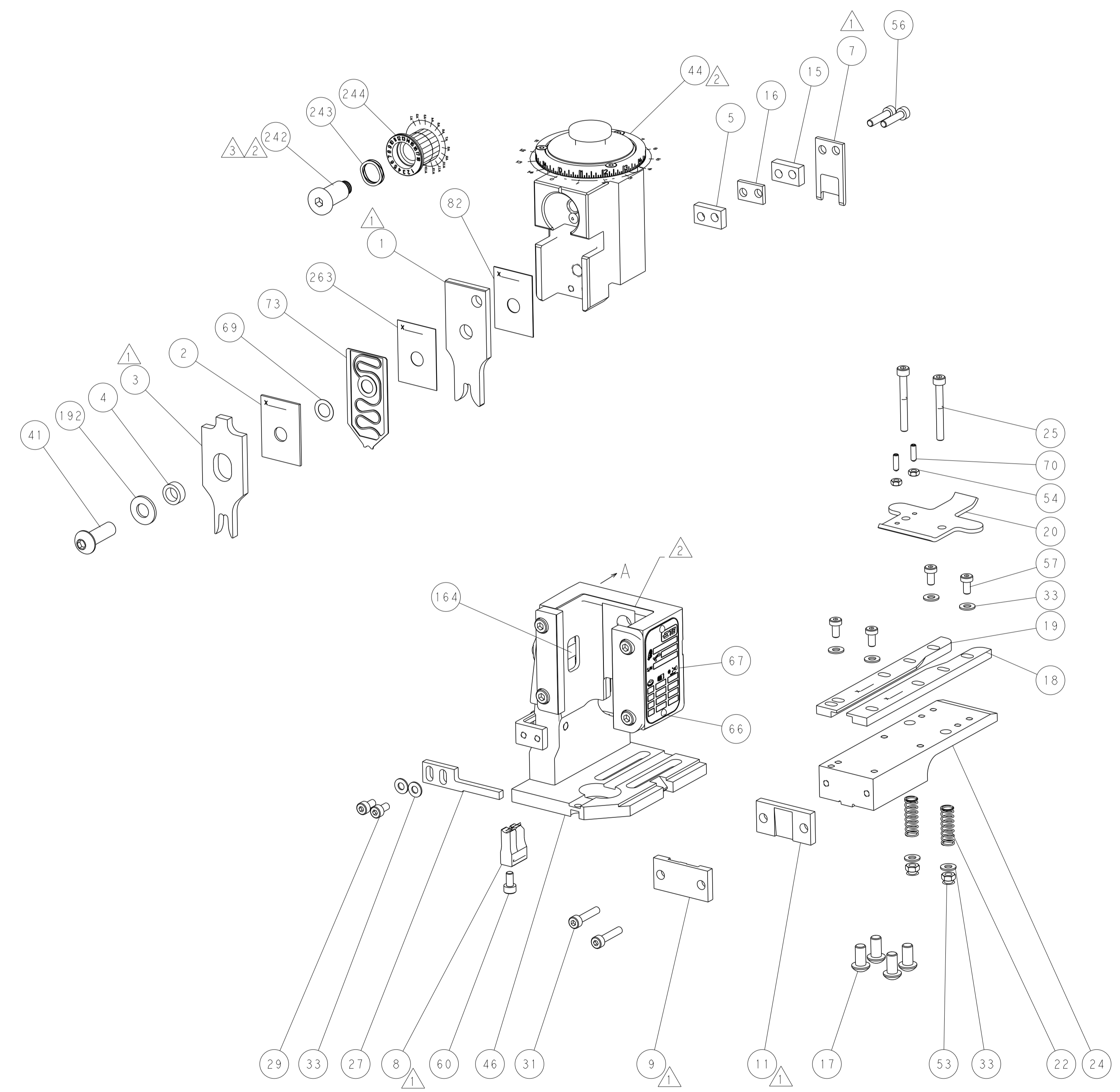
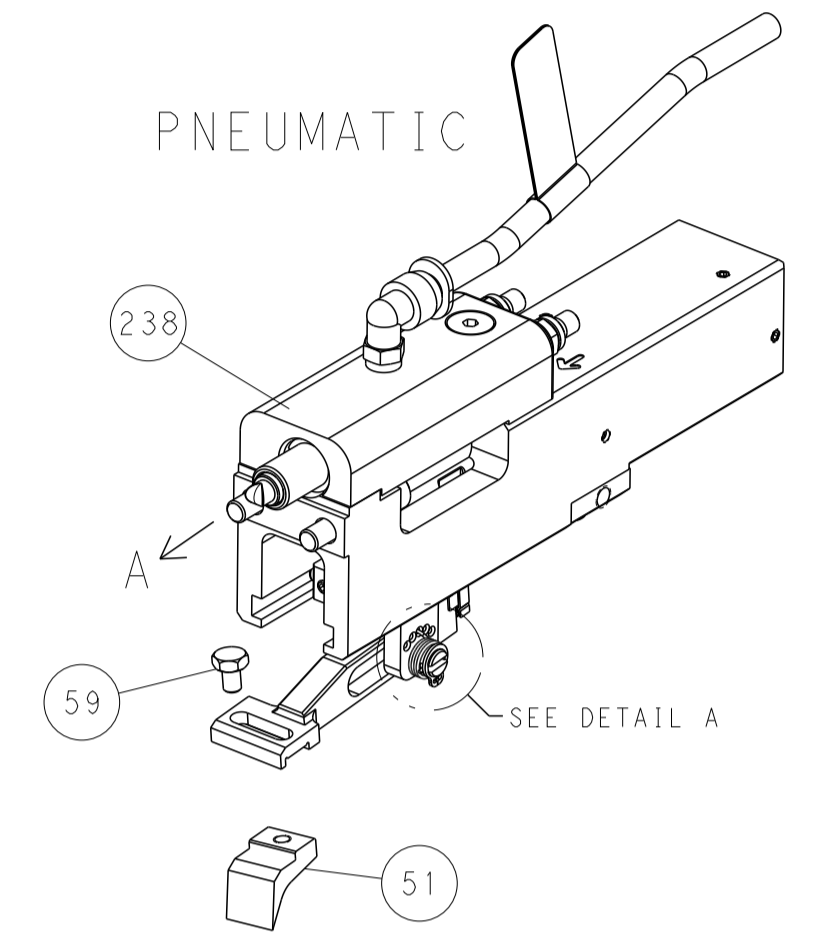
-	1	455888-2	SPACER, CRIMPER -	263	
-	1	2119641-1	FEED CAM, AIR FEED	248	
-	1	2119082-9	CAM, SNAIL, INSULATION ADJUSTMENT	244	
-	1	2079764-1	WASHER, WAVE SPRING, CREST-TO-CREST	243	
-	1	2119083-1	RETAINER, INSULATION DIAL	242	
-	1	2844940-4	AIR FEED MODULE	238	
-	1	1-18028-0	WASHER, FLAT, REG M8	192	
-	REF	994970-2	COUNTER, MAGNETIC	164	
-	1	455888-4	SPACER, CRIMPER -	82	
-	1	2119791-9	DEPRESSOR, WIRE	73	
-	1	1803607-4	DOCUMENTATION PACKAGE	71	
-	2	2-18032-2	SCR, SET, FLT PNT, M3 X 10.0	70	
-	1	2119943-1	WASHER, SPACER	69	
-	1	2119740-1	TAG, IDENTIFICATION	67	
-	2	2168078-1	SCREW, DRIVE, RH, RoHS, 2 x .188	66	
-	1	2168083-2	SCR, SKT HD CAP, RoHS, M4 X 8.0	60	
-	1	5-18022-5	SCR, HEX HD CAP, M4 X 6.0	59	
-	4	2168400-4	SHCS, LOW HEAD, RoHS, M4 X 8	57	
-	2	2-2168083-6	SCR, SKT HD CAP, RoHS, M4 X 18	56	
-	2	5018030-1	NUT, HEX, REG, RoHS, M3	54	
-	2	986965-8	NUT, LOCK, HEX, TORQUE (M4)	53	
-	1	2063961-1	FEED FINGER	51	
-	1	18023-9	SCR, SKT HD CAP M4 X 6.0	49	
-	1	2119655-5	APPLICATOR BASIC ASSEMBLY, EF	46	
-	1	1803517-1	RAM ASSEMBLY, EF ATLANTIC	44	
-	1	1803602-1	SCR, BHSC, RoHS (M8 X 25)	41	
-	8	1-18028-2	WASHER, FLAT, REG M4	33	
-	2	2168083-9	SCR, SKT HD CAP, RoHS, M4 X 20	31	
-	2	2168083-2	SCR, SKT HD CAP, RoHS, M4 X 8.0	29	
-	1	690455-1	STRIPPER, FRONT CASTING	27	
-	2	1-2168083-6	SCR, SKT HD CAP, RoHS, M4 X 35	25	
-	1	1752371-1	PLATE, STRIP GUIDE	24	
-	2	9-22281-7	SPRING, COMPRESSION	22	
-	1	1803292-1	DRAG	20	
-	1	6-1901696-7	STRIP GUIDE, REAR	19	
-	1	4-1901695-9	STRIP GUIDE, FRONT	18	
-	4	1-2079383-1	SCR, BHSC, RoHS (M6 X 12)	17	
-	1	8-240641-6	SPACER	16	
-	1	3-240641-5	SPACER	15	
-	1	240644-1	PLATE, REAR SHEAR	11	
-	-	-	-	10	
-	1	690482-3	PLATE, FRONT SHEAR	9	
1	1	3-1333223-2	ANVIL, COMBINATION	8	
-	1	690474-9	BLADE, SLUG	7	
-	1	1-240641-2	SPACER	5	
-	1	1-238011-2	BLOCK, CRIMPER SPACER	4	
1	1	3-2119582-1	CRIMPER, INSULATION F PREMIUM	3	
-	1	1-455888-1	SPACER, CRIMPER -	2	
1	1	3-456412-1	CRIMPER, WIRE .180 F PREMIUM	1	
-	77	-2	PART NO	DESCRIPTION	ITEM NO

DIMENSIONS: mm 		TOLERANCES UNLESS OTHERWISE SPECIFIED: 0 PLC ± 1 PLC ± 2 PLC ± 3 PLC ± 4 PLC ± ANGLES ± FINISH ±		DWN: HOFFNER 01DEC2011 CHK: T. ELBIN 02DEC2011 APVD: T. ELBIN 02DEC2011 PRODUCT SPEC APPLICATION SPEC WEIGHT: - MATERIAL: -		NAME: Ocean End Feed Applicator SIZE: A 00779 C=2150223 SCALE: 1:1 SHEET: 1 OF 4 REV: G	
-----------------------	--	---	--	---	--	---	--

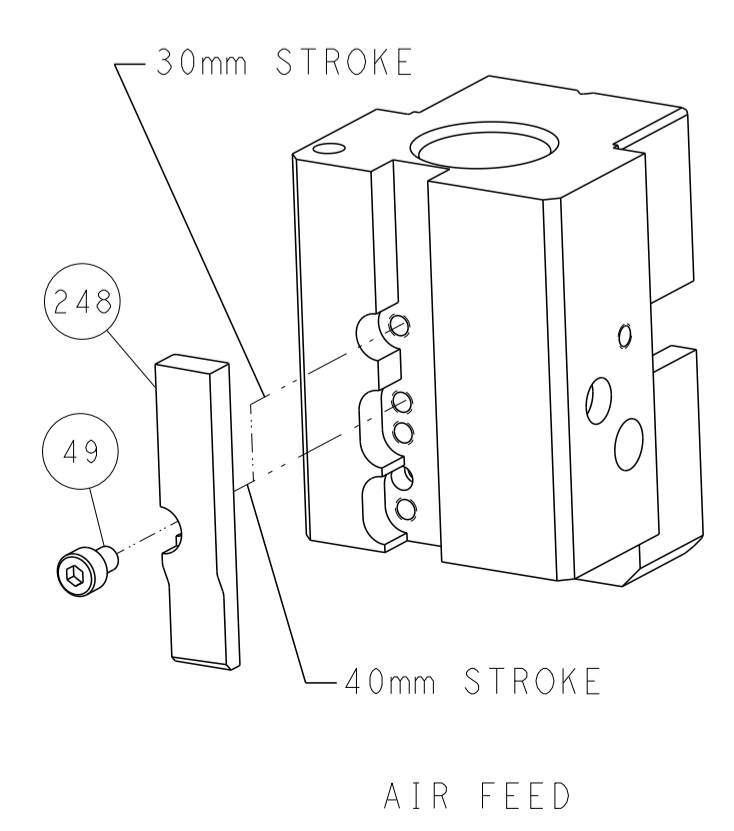
LOC		DIST		REVISIONS			
P	LTN	DESCRIPTION	DATE	OWN	APVD		
A	66	SEE SHEET 1					



FEED TYPE



CAM POSITION



DIMENSIONS: mm 		TOLERANCES UNLESS OTHERWISE SPECIFIED: 0 PLC ± 1 PLC ± 2 PLC ± 3 PLC ± 4 PLC ± ANGLES ± FINISH ±		DWN HOFFNER 01DEC2011 CHK T. ELBIN 02DEC2011 APVD T. ELBIN 02DEC2011 PRODUCT SPEC APPLICATION SPEC WEIGHT Customer Accessible Production Drawing		NAME Ocean End Feed Applicator SIZE CAGE CODE DRAWING NO A1 00779 C-2150223 SCALE 1:1 SHEET 2 OF 4 REV G		RESTRICTED TO TE Connectivity Harrisburg, PA 17105-3608	
-----------------------	--	---	--	--	--	--	--	---	--