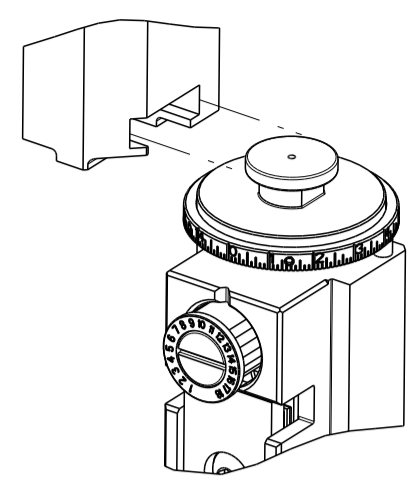


THIS DRAWING IS UNPUBLISHED.	RELEASED FOR PUBLICATION	2015	
COPYRIGHT 2015 BY TYCO ELECTRONICS CORPORATION. ALL RIGHTS RESERVED.			
PART NUMBER	REVISION	DESCRIPTION	FEED TYPE
2150287-2	C	FINE CRIMP HEIGHT ADJUST	PNEUMATIC
7-2150287-2	C	PNEUMATIC AND CRIMP TOOLING KIT	PNEUMATIC
7-2150287-7	A	CRIMP TOOLING KIT	-

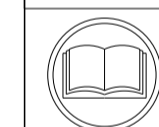
ATLANTIC VERSION TERMINATOR INTERFACE ADAPTER



APPLICATOR DATA		
CRIMP	SIZE	TYPE
WIRE	3.05 mm [.120]	F
INSUL	5.08 mm [.200]	F
APPL INSTRUCTIONS 408-35043		

TERMINAL DATA: TE TERMINAL		TE CRIMP SPECIFICATION	
TERMINAL NAME: .250 SERIES FASTON FLAG			
WIRE STRIP LENGTH		INSULATION DIAMETER RANGE	
5.84-6.22 mm [.230-.245 IN]		∅3.05-4.32 mm [.120-.170 IN]	
TERMINAL APPLICATION SPECIFICATION	114-2079	-	-
TERMINALS APPLIED			
TE TERMINAL	TE TERMINAL	TE TERMINAL	TE TERMINAL
1742718-1			

WIRE SIZE	CRIMP HEIGHT mm [INCH]	CRIMP HEIGHT REFERENCE SETTING
12 AWG	2.25 +/- 0.05 [.089 +/- .002]	4.5
14 AWG	1.95 +/- 0.05 [.077 +/- .002]	7.9
16 AWG	1.77 +/- 0.05 [.070 +/- .002]	9.8



- RECOMMENDED SPARE PARTS
  - REFER TO SUPPLIED INSTRUCTION SHEET FOR CLEANING, LUBRICATION AND STORAGE OF APPLICATOR.
  - APPLY PART NUMBER 2-23419-6 LOCTITE TO THREADS OF ITEM 242.
  - CRIMP HEIGHT REFERENCE SETTING WAS THE SETTING USED WHEN THE APPLICATOR WAS QUALIFIED AT THE FACTORY. ADJUSTMENT MAY BE NECESSARY WHEN RUNNING APPLICATOR IN THE FIELD.
  - TERMINAL LUBRICANT IS RECOMMENDED.
  - TERMINAL PITCH NOT COMPATIBLE WITH MECHANICAL FEED.
7. UNLESS SPECIFIED OTHERWISE TORQUE VALUES SHALL BE USED PER DOCUMENT, 101-35000.

**\*WARNING**  
ON INSTALLATION, SET WIRE DISC TO CRIMP HEIGHT REFERENCE SETTING FOR LARGEST WIRE SIZE. CRIMP HEIGHT REFERENCE SETTINGS GREATER THAN THE VALUE SHOWN MAY CAUSE DAMAGE TO THE CRIMP TOOLING, REFER TO THE INSTRUCTION SHEET FOR PROPER SETUP AND ADJUSTMENTS.

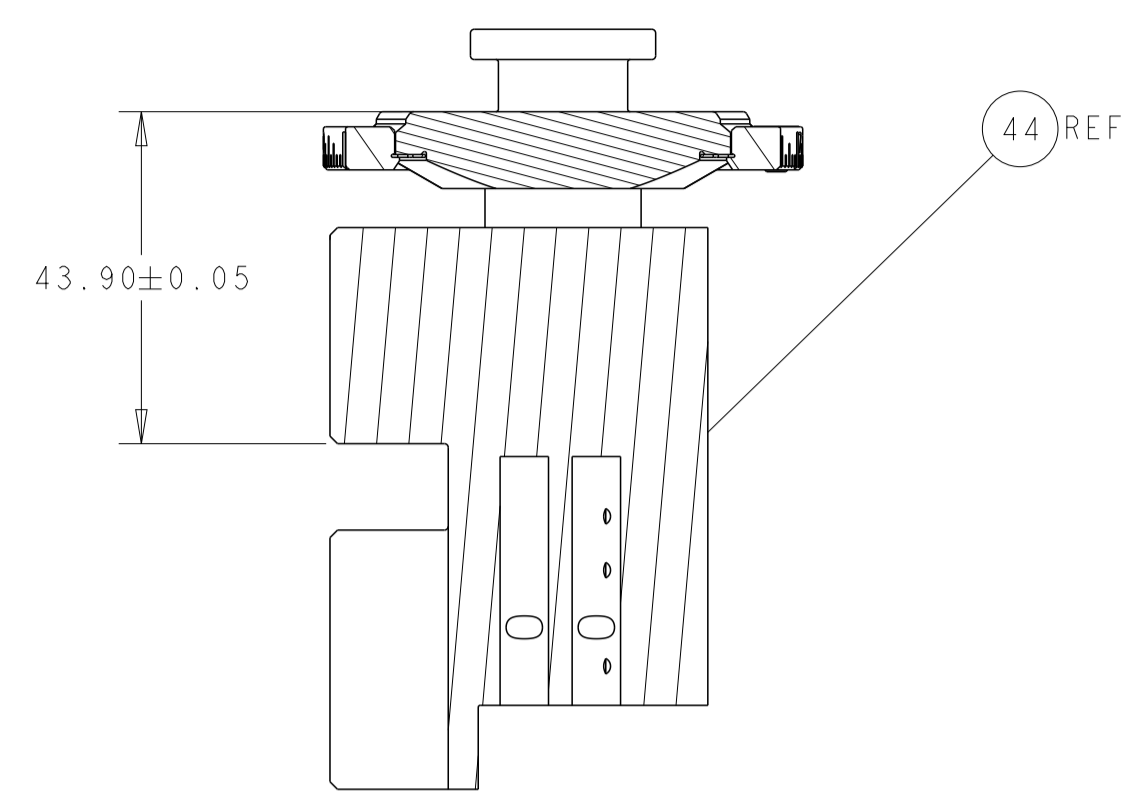
LOC	DIST	REVISIONS					
A	66	P	LTN	DESCRIPTION	DATE	OWN	APVD
		A		RELEASED	21DEC2016	MEH	CT
		B		ECR-20-004910	02APR2020	FJ	TE
		C		ECR-20-006502	06MAY2020	TB	GB

-	1	1	2119641-1	FEED CAM, AIR FEED	248
-	1	1	2119082-9	CAM, SNAIL, INSULATION ADJUSTMENT	244
-	1	1	2079764-1	WASHER, WAVE SPRING, CREST-TO-CREST	243
-	1	1	2119083-1	RETAINER, INSULATION DIAL	242
-	1	1	2844940-3	AIR FEED MODULE	238
-	1	1	1-18028-0	WASHER, FLAT, REG M8	192
-	2	2	1-2168083-1	SCR, SKT HD CAP, RoHS, M3 X 6	191
-	REF	REF	994970-2	COUNTER, MAGNETIC	164
-	1	1	2119955-2	ASSY, LUBRICATOR, END FEED	84
-	1	1	455888-5	SPACER, CRIMPER	82
-	1	1	1803607-4	DOCUMENTATION PACKAGE	71
-	2	2	2-18032-2	SCR, SET, FLT PNT, M3 X 10.0	70
-	1	1	2119740-1	TAG, IDENTIFICATION	67
-	2	2	2168078-1	SCREW, DRIVE, RH, RoHS, 2 x .188	66
-	1	1	2168083-2	SCR, SKT HD CAP, RoHS, M4 X 8.0	60
-	1	1	5-18022-5	SCR, HEX HD CAP, M4 X 6.0	59
-	4	4	2168400-1	SHCS, LOW HEAD, RoHS, M4 X 12	57
-	2	2	2168083-2	SCR, SKT HD CAP, RoHS, M4 X 8.0	56
-	2	2	5018030-1	NUT, HEX, REG, RoHS, M3	54
-	2	2	986965-8	NUT, LOCK, HEX, TORQUE (M4)	53
-	1	1	2063961-9	FEED FINGER	51
-	1	1	18023-9	SCR, SKT HD CAP M4 X 6.0	49
-	1	1	2119655-5	APPLICATOR BASIC ASSEMBLY, EF	46
-	1	1	1803517-1	RAM ASSEMBLY, EF ATLANTIC	44
-	1	1	1803602-1	SCR, BHSC, RoHS (M8 X 25)	41
-	8	8	1-18028-2	WASHER, FLAT, REG M4	33
-	2	2	1-2168083-2	SCR, SKT HD CAP, RoHS, M4 X 25	31
-	2	2	2168083-2	SCR, SKT HD CAP, RoHS, M4 X 8.0	29
-	1	1	240639-1	STRIPPER (MACHINING)	27
-	2	2	1-2168083-5	SCR, SKT HD CAP, RoHS, M4 X 30	25
-	1	1	2161922-6	PLATE, STRIP GUIDE	24
-	2	2	22281-6	SPRING, COMPRESSION	22
-	1	1	1633168-2	ARM, STOCK DRAG	21
-	1	1	464452-4	DRAG, STOCK	20
-	1	1	1-1901259-1	GUIDE, LOWER STRIP	19
-	1	1	7-1901695-8	STRIP GUIDE, FRONT	18
-	4	4	1-2079383-1	SCR, BHSC, RoHS (M6 X 12)	17
-	1	1	1-240644-7	PLATE, REAR SHEAR	11
-	2	2	3-240645-0	SPACER, SHEAR PLATE	10
-	1	1	1-240642-1	PLATE, FRONT SHEAR	9
-	1	2	1-1803000-2	ANVIL, COMBINATION, END FEED	8
-	1	1	2-469634-1	BLADE, SLUG	7
-	-	-	-	-	6
-	-	-	-	-	5
-	1	1	238011-2	BLOCK, CRIMPER SPACER	4
-	1	2	1803228-3	CRIMPER, INSULATION F PREMIUM	3
-	1	1	1-455888-5	SPACER, CRIMPER	2
-	1	2	852743-8	CRIMPER, WIRE PREMIUM	1
-	77	72	-2	PART NO	ITEM NO
-				DESCRIPTION	

ATLANTIC VERSION  
Shown on sheets 1 of 4 & 2 of 4  
(Pacific version shown on sheets 3 of 4 & 4 of 4)

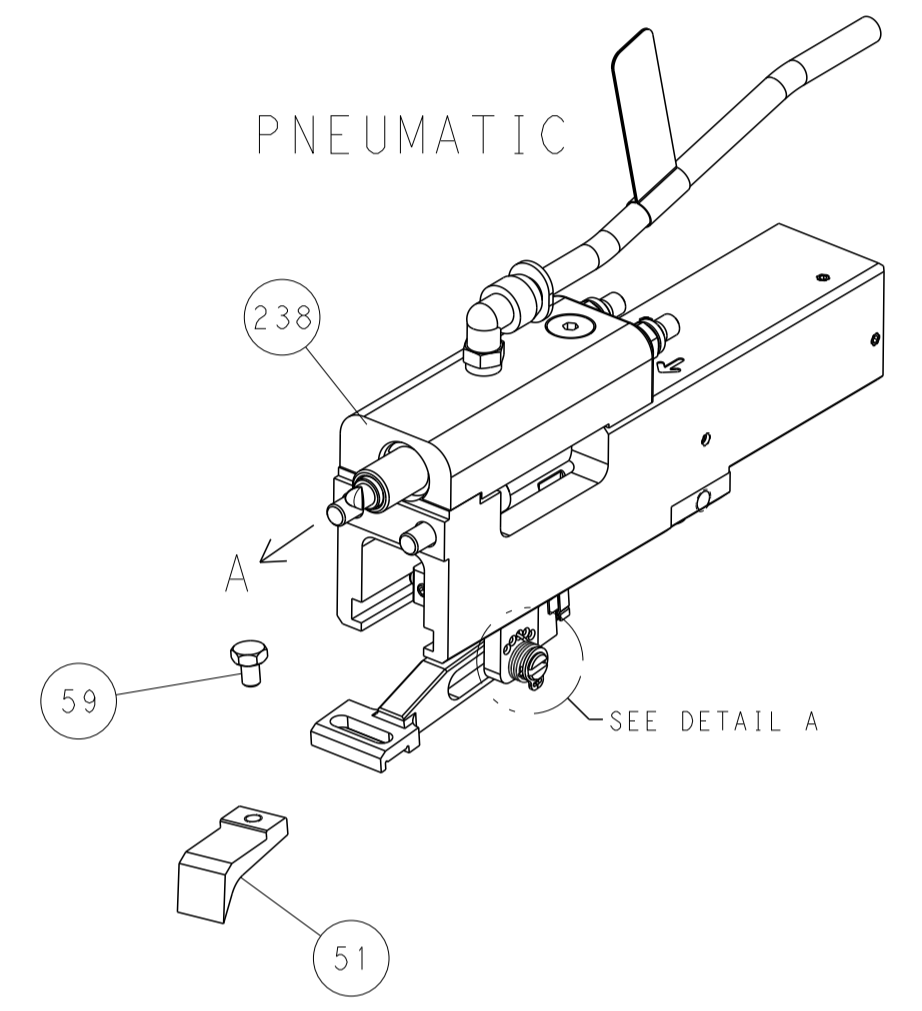
DIMENSIONS: mm		TOLERANCES UNLESS OTHERWISE SPECIFIED:		DWG: B. WEAVER ZOMAR2014		CHK: T. ELBIN ZOMAR2014		APVD: T. ELBIN ZOMAR2014		NAME: Ocean End Feed Applicator	
0 PLC	±	1 PLC	±	2 PLC	±	3 PLC	±	4 PLC	±	ANGLES	±
MATERIAL: -		FINISH: -		WEIGHT: -		SCALE: A1 00779 C=2150287		SHEET: 1 of 4		REV: C	

LOC	DIST	REVISIONS					
A	66	P	LTH	DESCRIPTION	DATE	DWN	APVD
		-	-	SEE SHEET 1	-	-	-



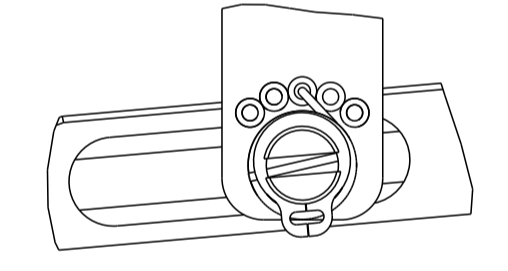
RAM SET-UP

FEED TYPE

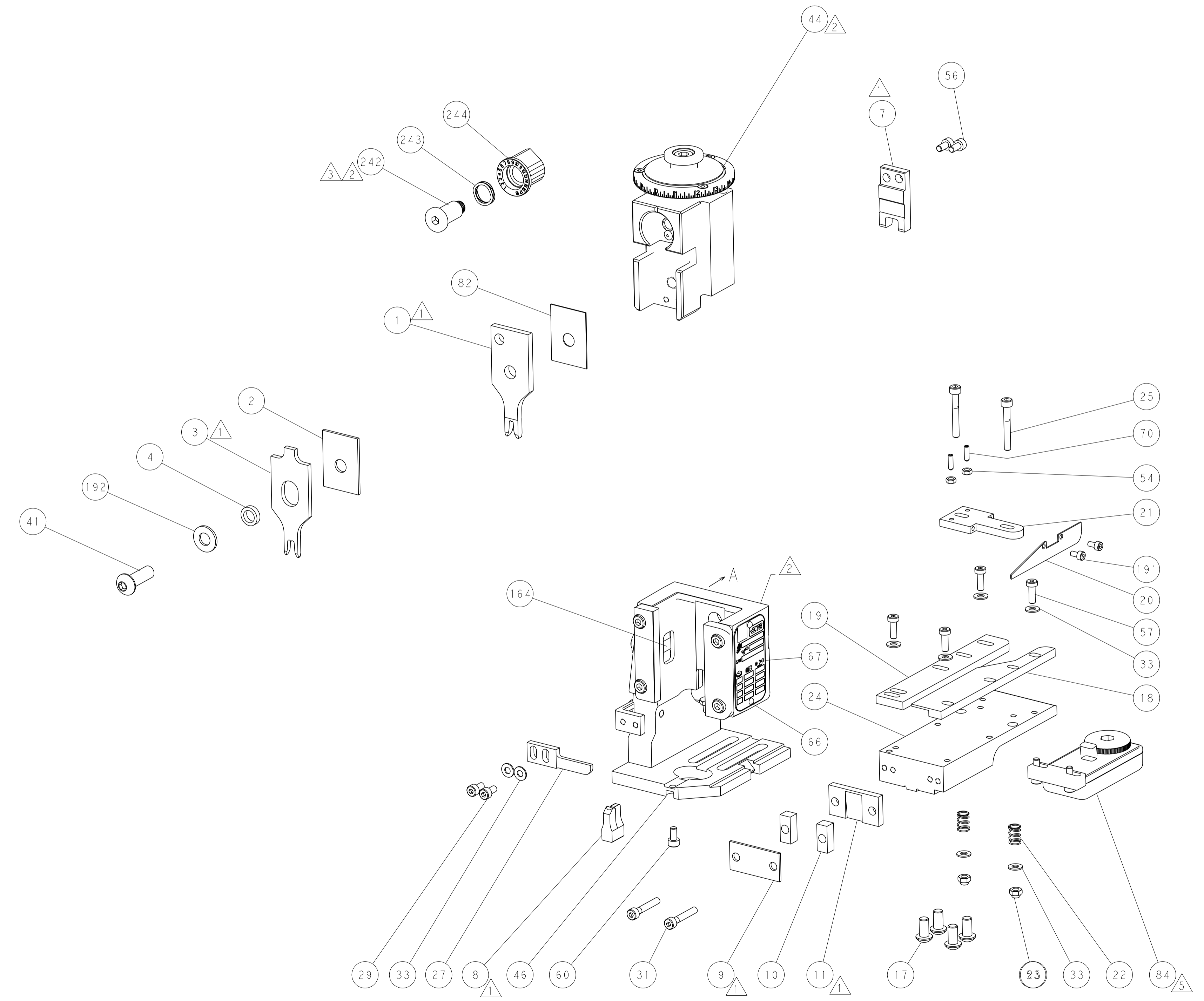


PNEUMATIC

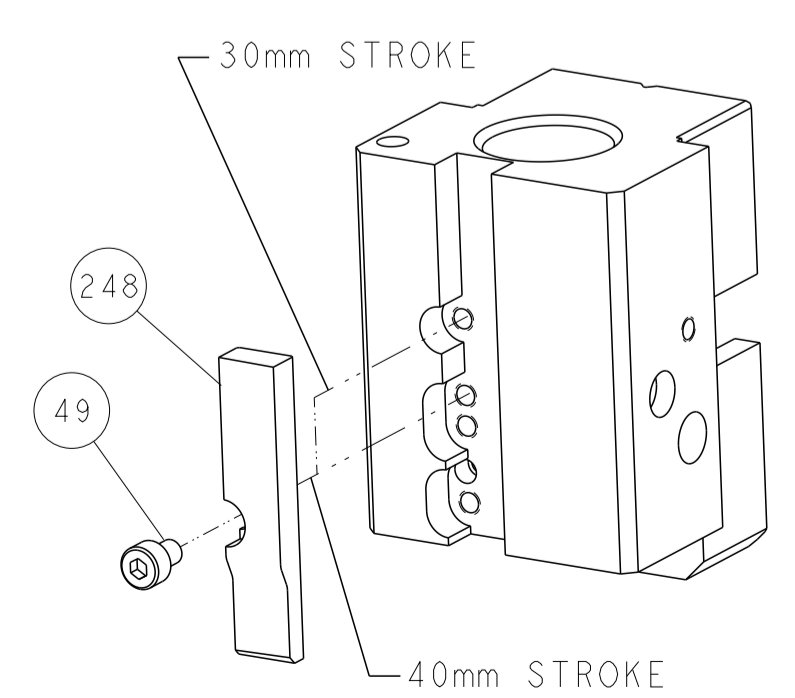
FEED SPRING SETTING POSITION



DETAIL A



CAM POSITION



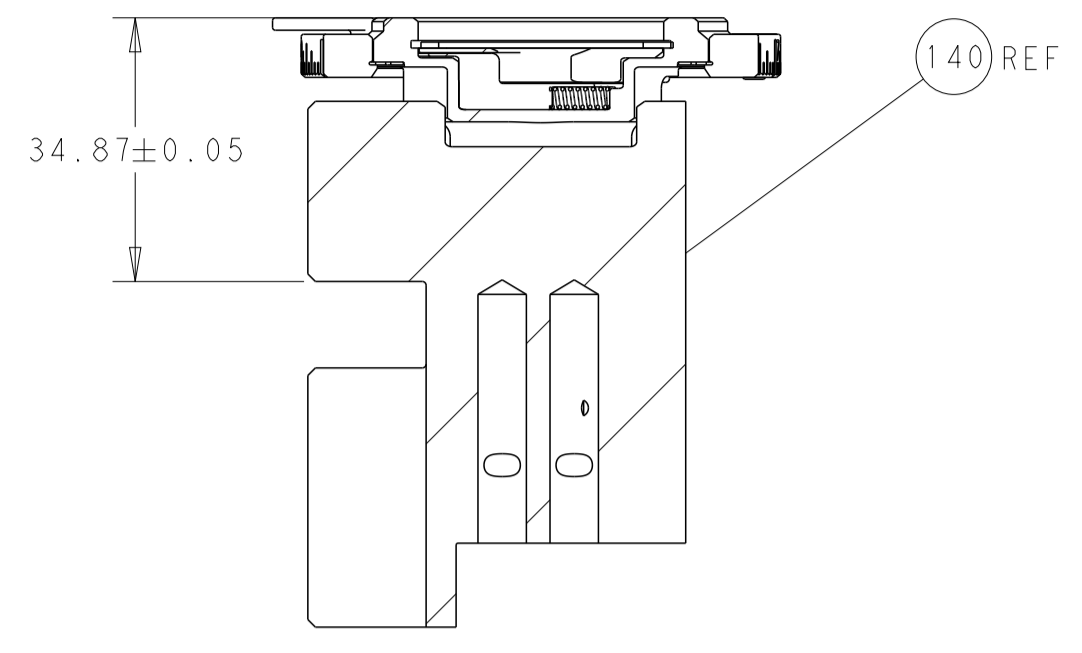
AIR FEED

**ATLANTIC VERSION**  
 Shown on sheets 1 of 4 & 2 of 4  
 (Pacific version shown on sheets 3 of 4 & 4 of 4)

<small>THIS DRAWING IS UNPUBLISHED. RELEASED FOR PUBLICATION 2015. COPYRIGHT 2015 BY TYCO ELECTRONICS CORPORATION. ALL RIGHTS RESERVED.</small>		DWN: B. WEAVER CHK: T. ELBIN APVD: T. ELBIN	ZOMAR2014 ZOMAR2014 ZOMAR2014	NAME: Ocean End Feed Applicator PRODUCT SPEC: APPLICATION SPEC:	SIZE: A1 CAGE CODE: 00779 DRAWING NO: C-2150287	RESTRICTED TO:
DIMENSIONS: mm TOLERANCES UNLESS OTHERWISE SPECIFIED: 0 PLC ± 1 PLC ± 2 PLC ± 3 PLC ± 4 PLC ± ANGLES ± FINISH:	TOLERANCES UNLESS OTHERWISE SPECIFIED: 0 PLC ± 1 PLC ± 2 PLC ± 3 PLC ± 4 PLC ± ANGLES ± FINISH:	WEIGHT:	SCALE: 1:1	SHEET: 2 OF 4	REV: C	CUSTOMER ACCESSIBLE PRODUCTION DRAWING

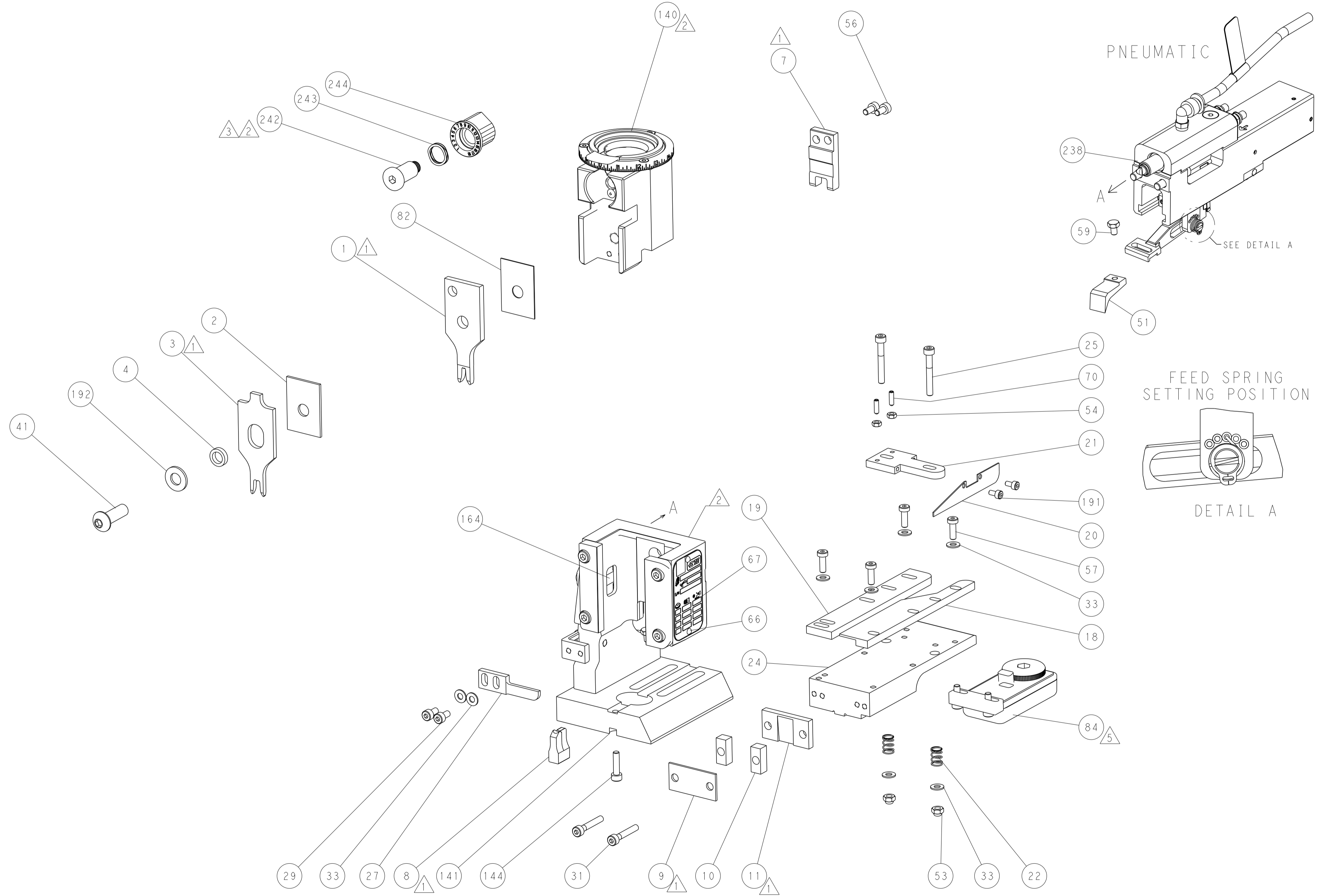


LOC	DIST	REVISIONS			
P	LTN	DESCRIPTION	DATE	DMN	APVD
A	66	SEE SHEET 1	-	-	-

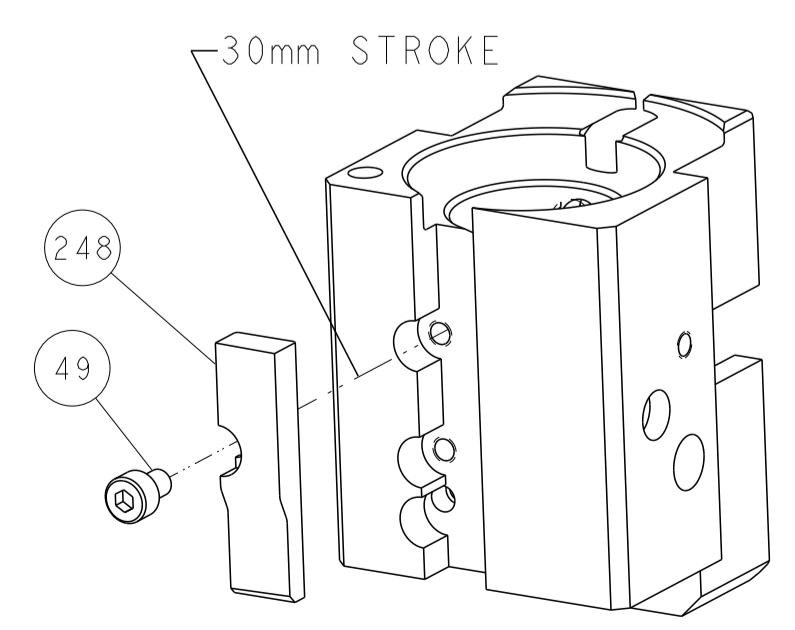


RAM SET-UP

FEED TYPE



CAM POSITION



AIR FEED

PACIFIC VERSION  
 Shown on sheets 3 of 4 & 4 of 4  
 (Atlantic version shown on sheets 1 of 4 & 2 of 4)

<small>THIS DRAWING IS UNPUBLISHED. RELEASED FOR PUBLICATION 2015. COPYRIGHT 2015 BY TYCO ELECTRONICS CORPORATION. ALL RIGHTS RESERVED.</small>		DWN: B. WEAVER CHK: T. ELBIN APVD: T. ELBIN	ZOMAR2014 ZOMAR2014 ZOMAR2014	NAME: Ocean End Feed Applier PRODUCT SPEC: APPLICATION SPEC: WEIGHT:	SIZE: A1 CAGE CODE: 00779 DRAWING NO: C-2150287	RESTRICTED TO: C
DIMENSIONS: mm TOLERANCES UNLESS OTHERWISE SPECIFIED: 0 PLC ± 1 PLC ± 2 PLC ± 3 PLC ± 4 PLC ± ANGLES ± MATERIAL: FINISH:	DIMENSIONS: mm TOLERANCES UNLESS OTHERWISE SPECIFIED: 0 PLC ± 1 PLC ± 2 PLC ± 3 PLC ± 4 PLC ± ANGLES ± MATERIAL: FINISH:	WEIGHT:	SCALE: 1:1 SHEET: 4 OF 4 REV: C	CUSTOMER ACCESSIBLE PRODUCTION DRAWING		