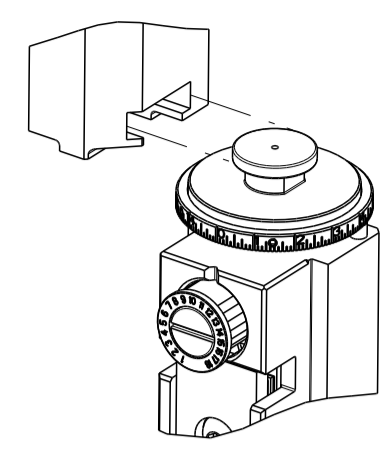


PART NUMBER	REVISION	DESCRIPTION	FEED TYPE
2150295-1	C	FINE CRIMP HEIGHT ADJUST	MECHANICAL
2150295-2	C	FINE CRIMP HEIGHT ADJUST	PNEUMATIC
7-2150295-7	A	CRIMP TOOLING KIT	-

ATLANTIC VERSION TERMINATOR
 INTERFACE ADAPTER



APPLICATOR DATA

CRIMP	SIZE	TYPE
WIRE	1.57 mm [.062]	F
INSUL	1.57 mm [.062]	Ø

APPL INSTRUCTIONS
 408-35043

TERMINAL DATA: FCI TERMINAL FCI CRIMP SPECIFICATION

TERMINAL NAME: MINI PV RECEPTACLE

WIRE STRIP LENGTH	INSULATION DIAMETER RANGE
3.81-4.06 mm [.150-.160 IN]	Ø1.07-1.52 mm [.042-.060 IN]

TERMINAL APPLICATION SPECIFICATION TA-75 Rev S

TERMINALS APPLIED

TE TERMINAL	FCI TERMINAL	TE TERMINAL	FCI TERMINAL
1572367-1	48047-000LF	1-1572367-0	47441-000LF
1572367-2	48047-002LF	1-1572367-1	47441-001LF
1572367-3	48052-000LF	1-1572367-2	47441-002LF
1572367-4	48052-002LF	1-1572367-3	47566-000LF
1572367-5	48231-000LF	1-1572367-4	47566-001LF
1572367-6	48234-000LF	1-1572367-5	47566-002LF
1572367-7	48244-000LF	1-1572367-6	47785-000LF
1572367-8	48247-000LF	1-1572367-7	47221-000LF
1572367-9	48276-002LF	1-1572367-8	47648-000LF

WIRE SIZE	CRIMP HEIGHT mm [INCH]	CRIMP HEIGHT REFERENCE SETTING
18 AWG	1.09 +/- 0.03 [.043 +/- .001]	13.2
20 AWG	1.09 +/- 0.03 [.043 +/- .001]	13.2

- 1 RECOMMENDED SPARE PARTS
- 2 REFER TO SUPPLIED INSTRUCTION SHEET FOR CLEANING, LUBRICATION AND STORAGE OF APPLICATOR.
- 3 APPLY PART NUMBER 1-23419-5 LOCTITE TO THREADS OF ITEM 180. APPLY PART NUMBER 2-23419-6 LOCTITE TO THREADS OF ITEM 242.
- 4 CRIMP HEIGHT REFERENCE SETTING WAS THE SETTING USED WHEN THE APPLICATOR WAS QUALIFIED AT THE FACTORY. ADJUSTMENT MAY BE NECESSARY WHEN RUNNING APPLICATOR IN THE FIELD.
- 5. UNLESS SPECIFIED OTHERWISE TORQUE VALUES SHALL BE USED PER DOCUMENT, 101-35000.
- 6 TERMINAL LUBRICANT IS RECOMMENDED.

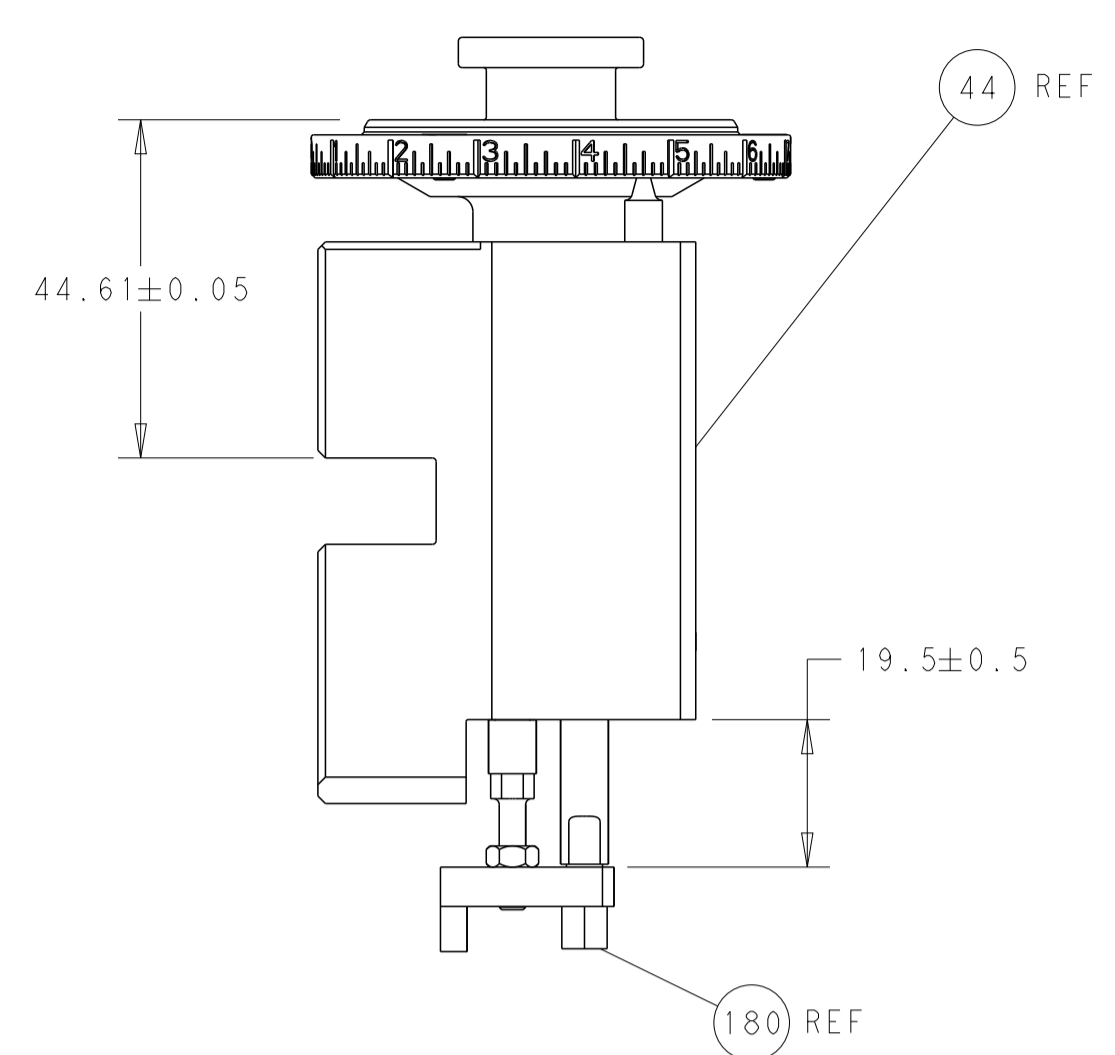
***WARNING**
 ON INSTALLATION, SET WIRE DISC TO CRIMP HEIGHT REFERENCE SETTING FOR LARGEST WIRE SIZE. CRIMP HEIGHT REFERENCE SETTINGS GREATER THAN THE VALUE SHOWN MAY CAUSE DAMAGE TO THE CRIMP TOOLING, REFER TO THE INSTRUCTION SHEET FOR PROPER SETUP AND ADJUSTMENTS.

LOC	DIST	REVISIONS					
		P	LTN	DESCRIPTION	DATE	DWN	APVD
A	66			RELEASED	05FEB2013	RW	GB
				ECR-22-158940	21NOV2022	FZ	TE
				ECR-23-169514	16MAR2023	ROY	TLE
				ECR-24-206333	18APR2024	TB	TE

-	1	-	2119641-1	FEED CAM, AIR FEED	248
-	1	1	2119082-9	CAM, SNAIL, INSULATION ADJUSTMENT	244
-	1	1	2079764-1	WASHER, WAVE SPRING, CREST-TO-CREST	243
3	-	1	2119083-1	RETAINER, INSULATION DIAL	242
-	-	1	2119580-1	MECHANICAL FEED ASSEMBLY	239
-	1	-	2844940-3	AIR FEED MODULE	238
-	1	1	1-18028-0	WASHER, FLAT, REG M8	192
3	-	1	1752354-7	STANDOFF, HOLD-DOWN	180
-	1	1	6-993111-6	PIN, SLOTTED SPRING 3.0 X 14.0	177
-	1	1	8-22280-7	SPRING, COMPRESSION	176
-	1	1	1752353-2	GUIDE PIN, HOLDDOWN	175
-	1	1	1901680-2	GUIDE PIN, HOLDDOWN	174
-	REF	REF	994970-2	COUNTER, MAGNETIC	164
6	-	1	2119955-2	ASSY, LUBRICATOR, END FEED	84
-	1	1	455888-3	SPACER, CRIMPER -	82
-	1	1	2119791-5	DEPRESSOR, WIRE	73
-	1	1	1803607-4	DOCUMENTATION PACKAGE	71
-	2	2	2-18032-2	SCR, SET, FLT PNT, M3 X 10.0	70
-	1	1	2119943-1	WASHER, SPACER	69
-	1	1	2119740-1	TAG, IDENTIFICATION	67
-	2	2	2168078-1	SCREW, DRIVE, RH, RoHS, 2 x .188	66
-	1	1	1-1901681-7	HOLDDOWN, TERMINAL	65
-	1	1	2168083-2	SCR, SKT HD CAP, RoHS, M4 X 8.0	60
-	1	1	5-18022-5	SCR, HEX HD CAP, M4 X 6.0	59
-	-	1	2063961-1	FEED FINGER	58
-	4	4	2168400-4	SHCS, LOW HEAD, RoHS, M4 X 8	57
-	2	2	2168083-2	SCR, SKT HD CAP, RoHS, M4 X 8.0	56
-	2	2	5018030-1	NUT, HEX, REG, RoHS, M3	54
-	2	2	986965-8	NUT, LOCK, HEX, TORQUE (M4)	53
-	1	1	1-5018030-0	NUT, HEX, REG, RoHS, M3.5	52
-	1	-	2063961-9	FEED FINGER	51
-	1	2	18023-9	SCR, SKT HD CAP M4 X 6.0	49
-	-	1	2119652-1	FEED CAM, PRE FEED	48
-	-	1	2119653-1	FEED CAM, POST FEED	47
-	1	1	2119655-5	APPLICATOR BASIC ASSEMBLY, EF	46
-	1	1	1803517-1	RAM ASSEMBLY, EF ATLANTIC	44
-	1	1	1803602-1	SCR, BHSC, RoHS (M8 X 25)	41
-	8	8	1-18028-2	WASHER, FLAT, REG M4	33
-	2	2	2168083-9	SCR, SKT HD CAP, RoHS, M4 X 20	31
-	2	2	2168083-2	SCR, SKT HD CAP, RoHS, M4 X 8.0	29
-	1	1	240639-2	STRIPPER (MACHINING)	27
-	2	2	1-2168083-5	SCR, SKT HD CAP, RoHS, M4 X 30	25
-	1	1	1752371-5	PLATE, STRIP GUIDE	24
-	2	2	2-22281-3	SPRING, COMPRESSION	22
-	1	1	1803292-4	DRAG	20
-	1	1	4-1901696-9	STRIP GUIDE, REAR	19
-	1	1	5-1901695-0	STRIP GUIDE, FRONT	18
-	4	4	1-2079383-1	SCR, BHSC, RoHS (M6 X 12)	17
1	-	1	240644-1	PLATE, REAR SHEAR	11
1	-	2	2-240645-7	SPACER, SHEAR PLATE	10
1	-	1	240642-5	PLATE, FRONT SHEAR	9
1	1	1	1-1333214-8	ANVIL, EF .062	8
1	-	1	8-240651-6	BLADE, SLUG	7
-	-	-	-	-	6
-	1	1	2-240641-8	SPACER	5
-	1	1	2-238011-2	BLOCK, CRIMPER SPACER	4
1	1	1	1-2119784-3	CRIMPER, INSULATION Ø PREMIUM	3
-	1	1	455888-3	SPACER, CRIMPER -	2
1	1	1	1-456403-5	CRIMPER, WIRE PREMIUM	1
-	77	-2	-1	PART NO	ITEM NO

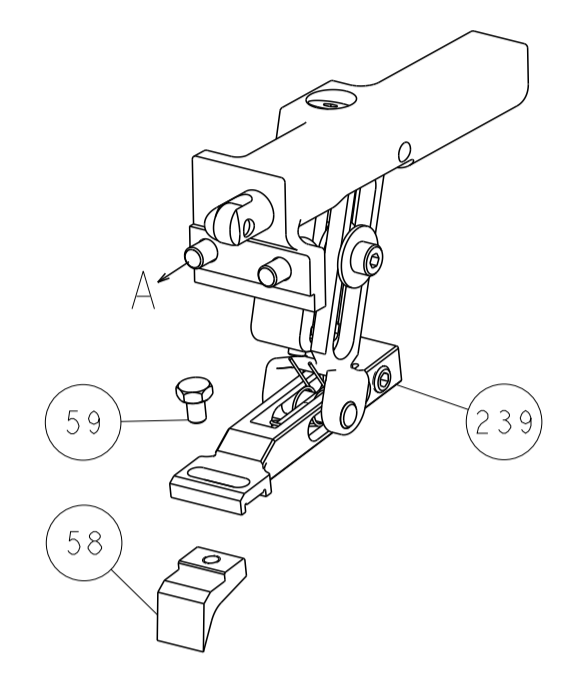
DIMENSIONS: mm 		TOLERANCES UNLESS OTHERWISE SPECIFIED: 0 PLC ± 1 PLC ± 2 PLC ± 3 PLC ± 4 PLC ± ANGLES ± FINISH ±		DWN R.O. WILSON 18OCT2012 CHK K.J. STAKEM 02NOV2012 APVD T.L. ELBIN 05NOV2012	NAME Ocean End Feed Applicator
MATERIAL:		WEIGHT:		SIZE: A1 00779 C=2150295 SCALE: 1:1 SHEET 1 OF 4 REV C1	

LOC		DIST		REVISIONS			
A	66	P	LTM	DESCRIPTION	DATE	OWN	APVD
		-		SEE SHEET 1			

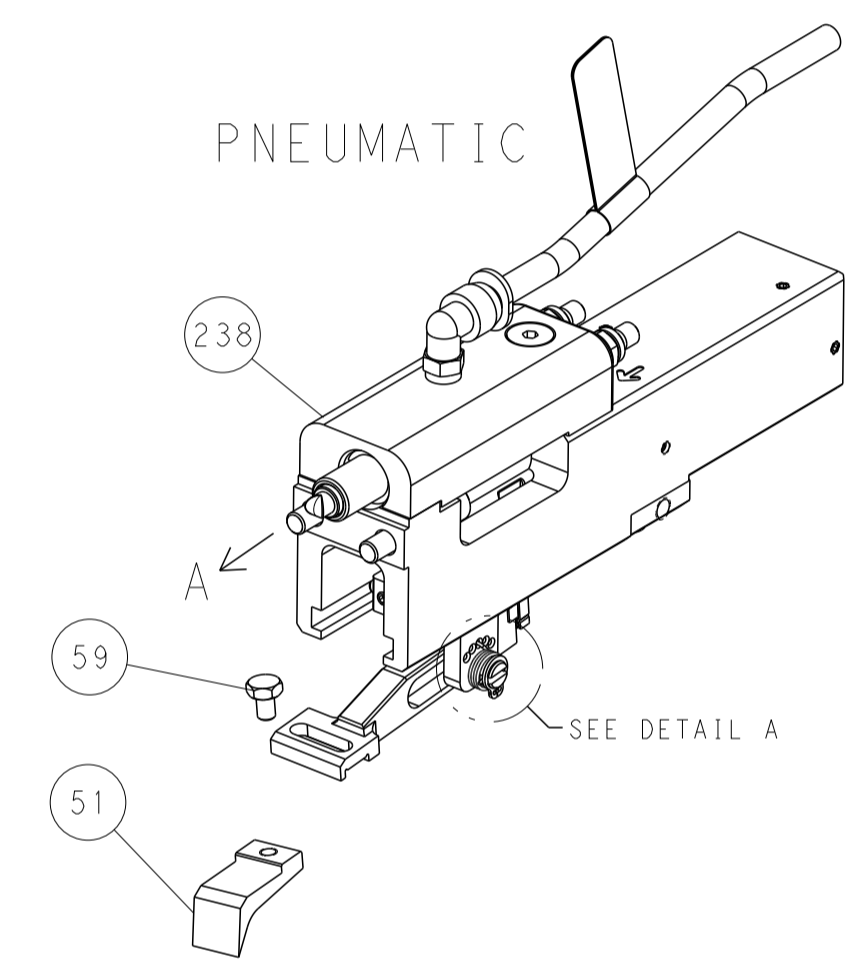


RAM & HOLD DOWN SET-UP

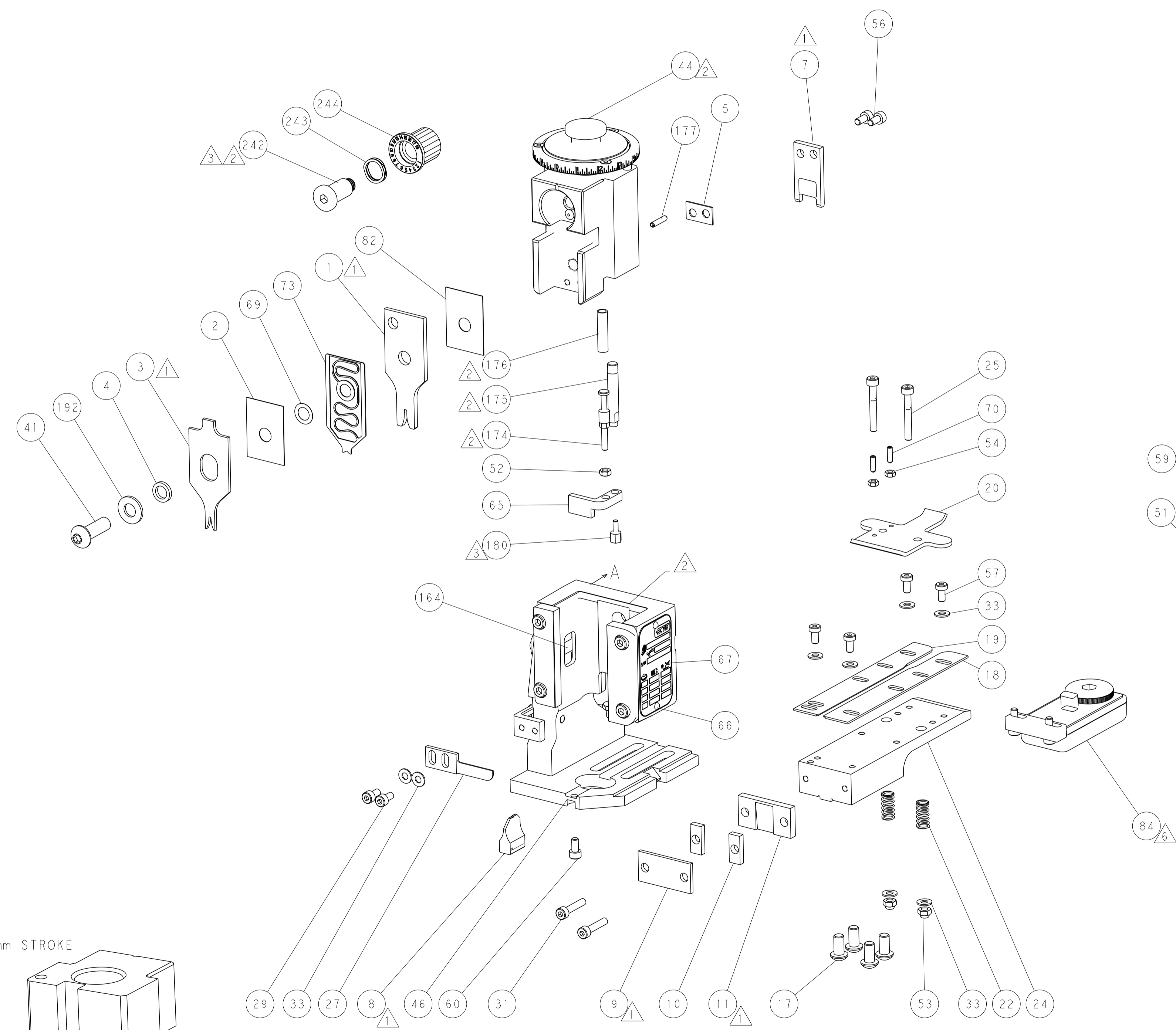
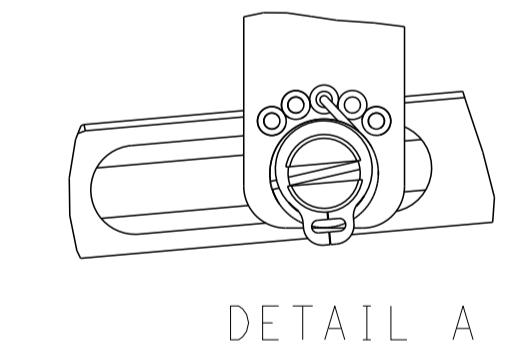
FEED TYPE
MECHANICAL



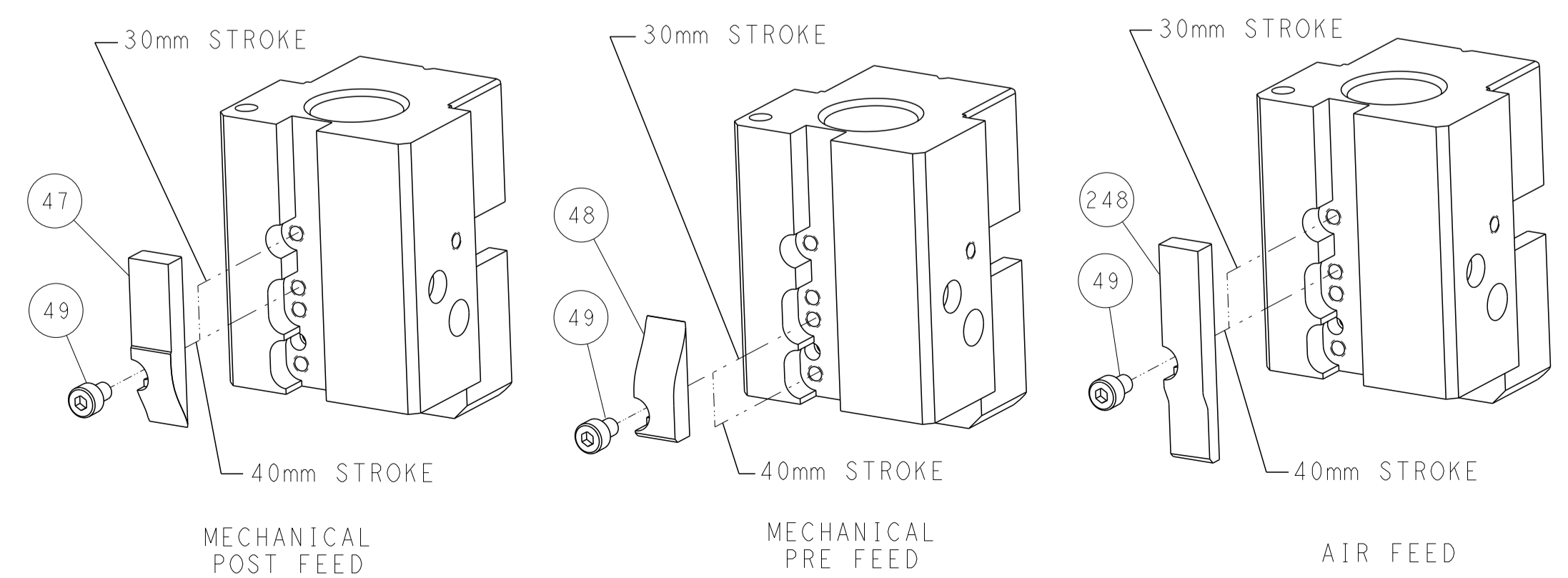
PNEUMATIC



FEED SPRING
SETTING POSITION



CAM POSITIONS



DIMENSIONS: mm 		TOLERANCES UNLESS OTHERWISE SPECIFIED: 0 PLC ± 1 PLC ± 2 PLC ± 3 PLC ± 4 PLC ± ANGLES ± FINISH		DWN R.O. WILSON 18OCT2012 CHK K. J. STAKEM 02NOV2012 APVD T. L. ELBIN 05NOV2012 NAME PRODUCT SPEC APPLICATION SPEC SIZE CAGE CODE DRAWING NO A1 00779 C=2150295 RESTRICTED TO	
MATERIAL FINISH		WEIGHT SCALE 1:1		SHEET 2 OF 4 REV C1	