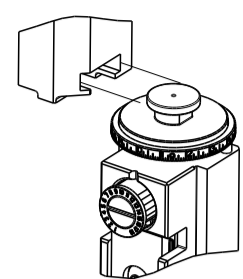


PART NUMBER	REVISION	DESCRIPTION	FEED TYPE
2150336-2	C	FINE CRIMP HEIGHT ADJUST	PNEUMATIC
7-2150336-7	B	CRIMP TOOLING KIT	-

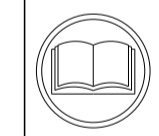
ATLANTIC VERSION TERMINATOR
INTERFACE ADAPTER



APPLICATOR DATA		
CRIMP	SIZE	TYPE
WIRE	2.54 mm [.100]	F
INSUL	4.57 mm [.180]	SP
APPL INSTRUCTIONS 408-35043		

TERMINAL DATA: TE TERMINAL		TE CRIMP SPECIFICATION	
TERMINAL NAME: 6.3 SRS FLAG F-SPRING LIF RECEPTACLE			
WIRE STRIP LENGTH		INSULATION DIAMETER RANGE	
4.30-5.30 mm [.169-.209 IN]		∅2.70-3.80 mm [.106-.150 IN]	
TERMINAL APPLICATION SPECIFICATION	114-64027		
TERMINALS APPLIED Δ 7			
TE TERMINAL	TE TERMINAL	TE TERMINAL	TE TERMINAL
2178439-1			

WIRE SIZE	CRIMP HEIGHT mm [INCH]	CRIMP HEIGHT REFERENCE SETTING Δ 3
12 AWG	1.96+/-0.05 [.077+/-0.002]	5.1
14 AWG	1.85+/-0.05 [.073+/-0.002]	6.4
16 AWG	1.64+/-0.05 [.065+/-0.002]	8.5



- Δ 1 RECOMMENDED SPARE PARTS
- Δ 2 REFER TO SUPPLIED INSTRUCTION SHEET FOR CLEANING, LUBRICATION AND STORAGE OF APPLICATOR.
- Δ 3 APPLY PART NUMBER 2-23419-6 LOCTITE TO THREADS OF ITEM 242. APPLY PART NUMBER 1-23419-5 LOCTITE TO THREADS OF ITEM 50.
- Δ 4 CRIMP HEIGHT REFERENCE SETTING WAS THE SETTING USED WHEN THE APPLICATOR WAS QUALIFIED AT THE FACTORY. ADJUSTMENT MAY BE NECESSARY WHEN RUNNING APPLICATOR IN THE FIELD.
- Δ 5 TERMINAL LUBRICANT IS RECOMMENDED.
- 6. UNLESS SPECIFIED OTHERWISE TORQUE VALUES SHALL BE USED PER DOCUMENT, 101-35000.
- Δ 7 TERMINAL DESIGN IS NOT COMPATIBLE WITH SERVO FEED AND MECHANICAL FEED.

***WARNING**
ON INSTALLATION, SET WIRE DISC TO CRIMP HEIGHT REFERENCE SETTING FOR LARGEST WIRE SIZE. CRIMP HEIGHT REFERENCE SETTINGS GREATER THAN THE VALUE SHOWN MAY CAUSE DAMAGE TO THE CRIMP TOOLING. REFER TO THE INSTRUCTION SHEET FOR PROPER SETUP AND ADJUSTMENTS.

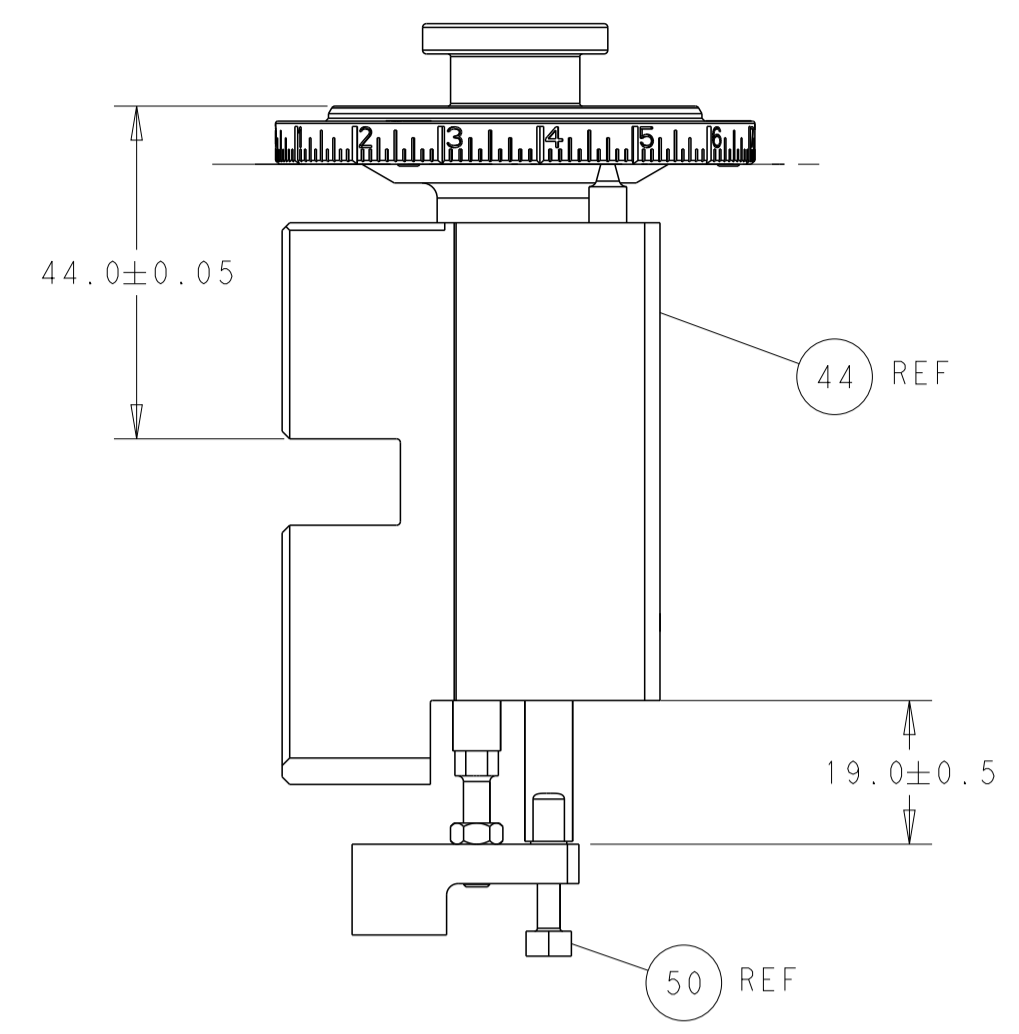
LOC	DIST	REVISIONS					
A	66	P	LTN	DESCRIPTION	DATE	OWN	APVD
		A2		ECR-15-006528	28APR2015	RS	LZ
		B		ECR-15-013159	06SEP2015	YY	KZ
		C		ECR-23-192677	15NOV2023	JWC	TE
		C1		ECR-24-208356	13MAY2024	AB	TE

-	1	2119641-1	FEED CAM, AIR FEED	248	
-	1	2119082-9	CAM, SNAIL, INSULATION ADJUSTMENT	244	
-	1	2079764-1	WASHER, WAVE SPRING, CREST-TO-CREST	243	
-	1	2119083-1	RETAINER, INSULATION DIAL	242	
-	1	2844940-4	AIR FEED MODULE	238	
-	1	1-18028-0	WASHER, FLAT, REG M8	192	
-	1	6-993111-6	PIN, SLOTTED SPRING 3.0 X 14.0	177	
-	1	8-22280-7	SPRING, COMPRESSION	176	
-	1	1752353-2	GUIDE PIN,HOLDDOWN	175	
-	1	1901680-2	GUIDE PIN,HOLDDOWN	174	
-	REF	994970-2	COUNTER, MAGNETIC	164	
-	2	1-2168083-1	SCR, SKT HD CAP, RoHS, M3 X 6	147	
-	1	455888-4	SPACER, CRIMPER -	82	
-	1	1803607-4	DOCUMENTATION PACKAGE	71	
-	2	3-18032-3	SCR, SET, FLT PNT, M3 X 20.0	70	
-	1	2119740-1	TAG, IDENTIFICATION	67	
-	2	2168078-1	SCREW, DRIVE, RH, RoHS, 2 x .188	66	
-	1	1803176-1	HOLDDOWN, TERMINAL	65	
-	1	2168083-2	SCR, SKT HD CAP, RoHS, M4 X 8.0	60	
-	1	5-18022-5	SCR, HEX HD CAP, M4 X 6.0	59	
-	4	2168400-1	SHCS, LOW HEAD, RoHS, M4 X 12	57	
-	2	1-2168083-0	SCR, SKT HD CAP, RoHS, M4 X 10	56	
-	2	5018030-1	NUT, HEX, REG, RoHS, M3	54	
-	2	986965-8	NUT, LOCK, HEX, TORQUE (M4)	53	
-	1	1-5018030-0	NUT, HEX, REG, RoHS, M3.5	52	
-	1	2063961-1	FEED FINGER	51	
-	1	3-1752354-9	STANDOFF,HOLD-DOWN	50	
-	1	18023-9	SCR, SKT HD CAP M4 X 6.0	49	
-	1	2119655-5	APPLICATOR BASIC ASSEMBLY, EF	46	
-	1	1803517-1	RAM ASSEMBLY, EF ATLANTIC	44	
-	1	1803602-1	SCR, BHSC, RoHS (M8 X 25)	41	
-	8	1-18028-2	WASHER, FLAT, REG M4	33	
-	2	1-2168083-2	SCR, SKT HD CAP, RoHS, M4 X 25	31	
-	2	1-2168083-0	SCR, SKT HD CAP, RoHS, M4 X 10	29	
-	1	1-690455-0	STRIPPER, FRONT CASTING	27	
-	2	1-2168083-6	SCR, SKT HD CAP, RoHS, M4 X 35	25	
-	1	2161922-1	PLATE, STRIP GUIDE	24	
-	2	22281-6	SPRING, COMPRESSION	22	
-	1	1633168-2	ARM, STOCK DRAG	21	
-	1	1-464452-7	DRAG, STOCK	20	
-	1	1803086-2	GUIDE, REAR STRIP	19	
-	1	3-1901695-3	STRIP GUIDE, FRONT	18	
-	4	1-2079383-1	SCR, BHSC, RoHS (M6 X 12)	17	
-	1	1803175-1	SUPPORT, TERMINAL	13	
-	1	461160-3	PLATE, REAR SHEAR	11	
-	2	6-240645-1	SPACER, SHEAR PLATE	10	
-	1	455961-5	PLATE, FRONT SHEAR	9	
-	1	1803074-8	ANVIL, COMBINATION, END FEED	8	
-	1	1803186-1	BLADE, SLUG	7	
-	-	-	-	6	
-	-	-	-	5	
-	1	3-238011-5	BLOCK, CRIMPER SPACER	4	
-	1	1803108-6	CRIMPER, INSULATION 0	3	
-	1	455888-9	SPACER, CRIMPER -	2	
-	1	1-1803015-2	CRIMPER, WIRE	1	
-	77	-2	PART NO	DESCRIPTION	ITEM NO

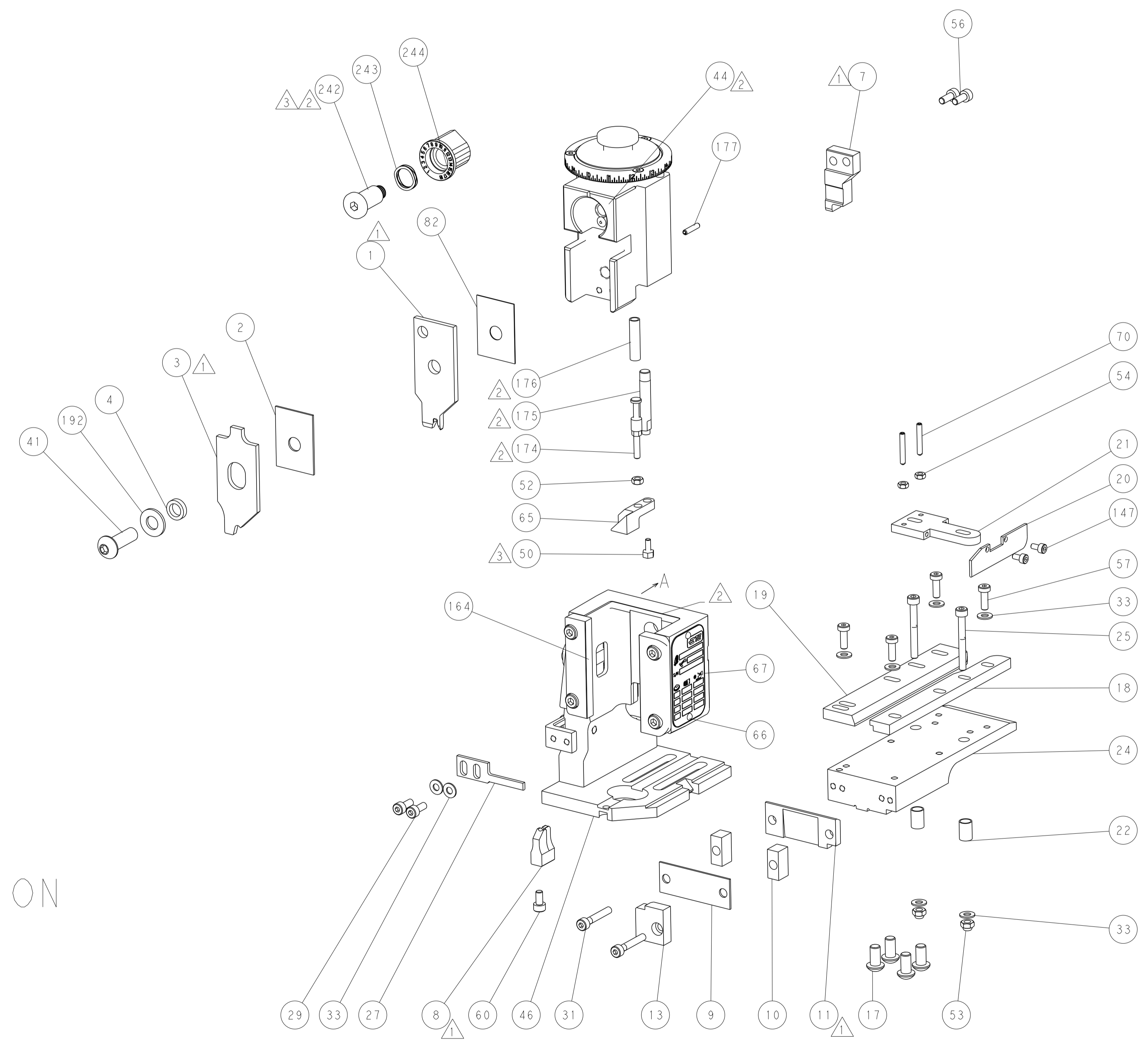
<small>THIS DRAWING IS UNPUBLISHED. RELEASED FOR PUBLICATION 20</small> <small>BY TYCO ELECTRONICS CORPORATION. ALL RIGHTS RESERVED.</small>		<small>THIS DRAWING IS UNPUBLISHED. RELEASED FOR PUBLICATION 20</small> <small>BY TYCO ELECTRONICS CORPORATION. ALL RIGHTS RESERVED.</small>	
DIMENSIONS: mm 		TOLERANCES UNLESS OTHERWISE SPECIFIED: 0 PLC ± 1 PLC ± 2 PLC ± 3 PLC ± 4 PLC ± ANGLES ± FINISH -	
MATERIAL: -		WEIGHT: - SCALE: A 00779 C=2150336 Customer Accessible Production Drawing	
DIMENSIONS: mm 		TOLERANCES UNLESS OTHERWISE SPECIFIED: 0 PLC ± 1 PLC ± 2 PLC ± 3 PLC ± 4 PLC ± ANGLES ± FINISH -	
MATERIAL: -		WEIGHT: - SCALE: A 00779 C=2150336 Customer Accessible Production Drawing	

TE Connectivity
 Harrisburg, PA 17105-3608
 NAME: Ocean End Feed Applicator
 SIZE: A | 00779 | C=2150336
 SHEET 1 OF 4 REV C1

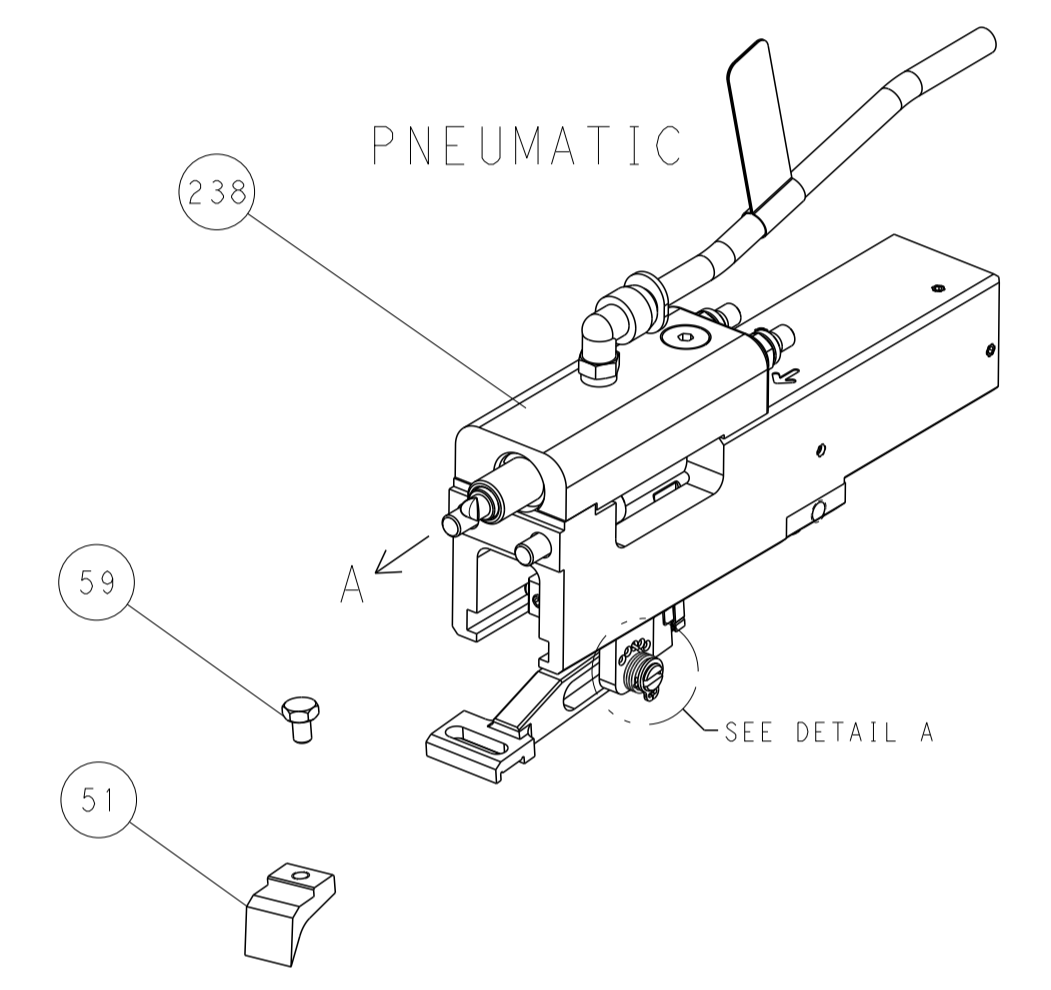
LOC		DIST		REVISIONS			
A	66	P	LTM	DESCRIPTION	DATE	OWN	APVD
		-		SEE SHEET 1	-	-	-



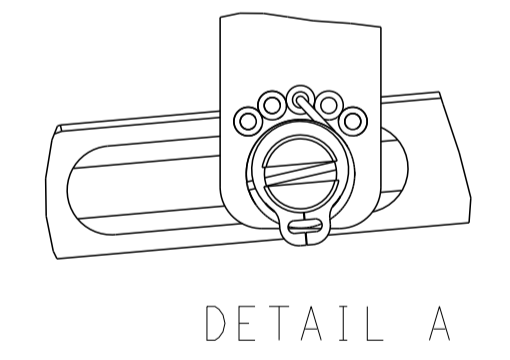
RAM AND HOLDDOWN SET-UP



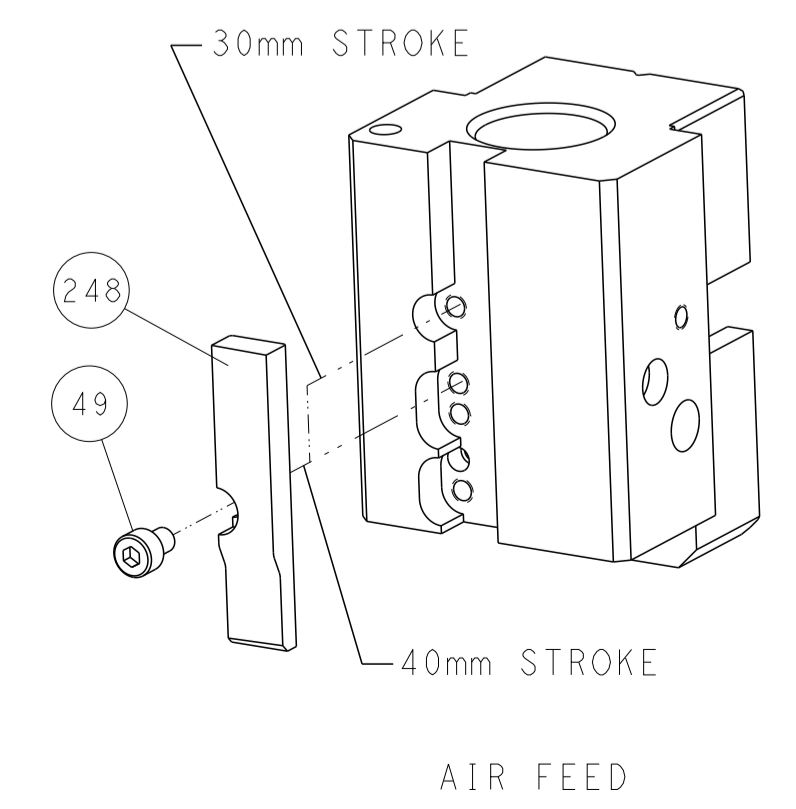
FEED TYPE



FEED SPRING SETTING POSITION



CAM POSITION



AIR FEED

DIMENSIONS: mm 		TOLERANCES UNLESS OTHERWISE SPECIFIED: 0 PLC ± 1 PLC ± 2 PLC ± 3 PLC ± 4 PLC ± ANGLES ± FINISH		DWN R. KNEPPER 06JUN2013 CHK T. ELBIN 06JUN2013 APVD M. CLIFFORD 06JUN2013		TE Connectivity Harrisburg, PA 17105-3608	
MATERIAL: - FINISH: -		WEIGHT: -		NAME: Ocean End Feed Applier PRODUCT SPEC: - APPLICATION SPEC: -		SIZE: A1 CAGE CODE: 00779 DRAWING NO: C=2150336	
Customer Accessible Production Drawing				SCALE: 1:1		SHEET 2 OF 4 REV C1	