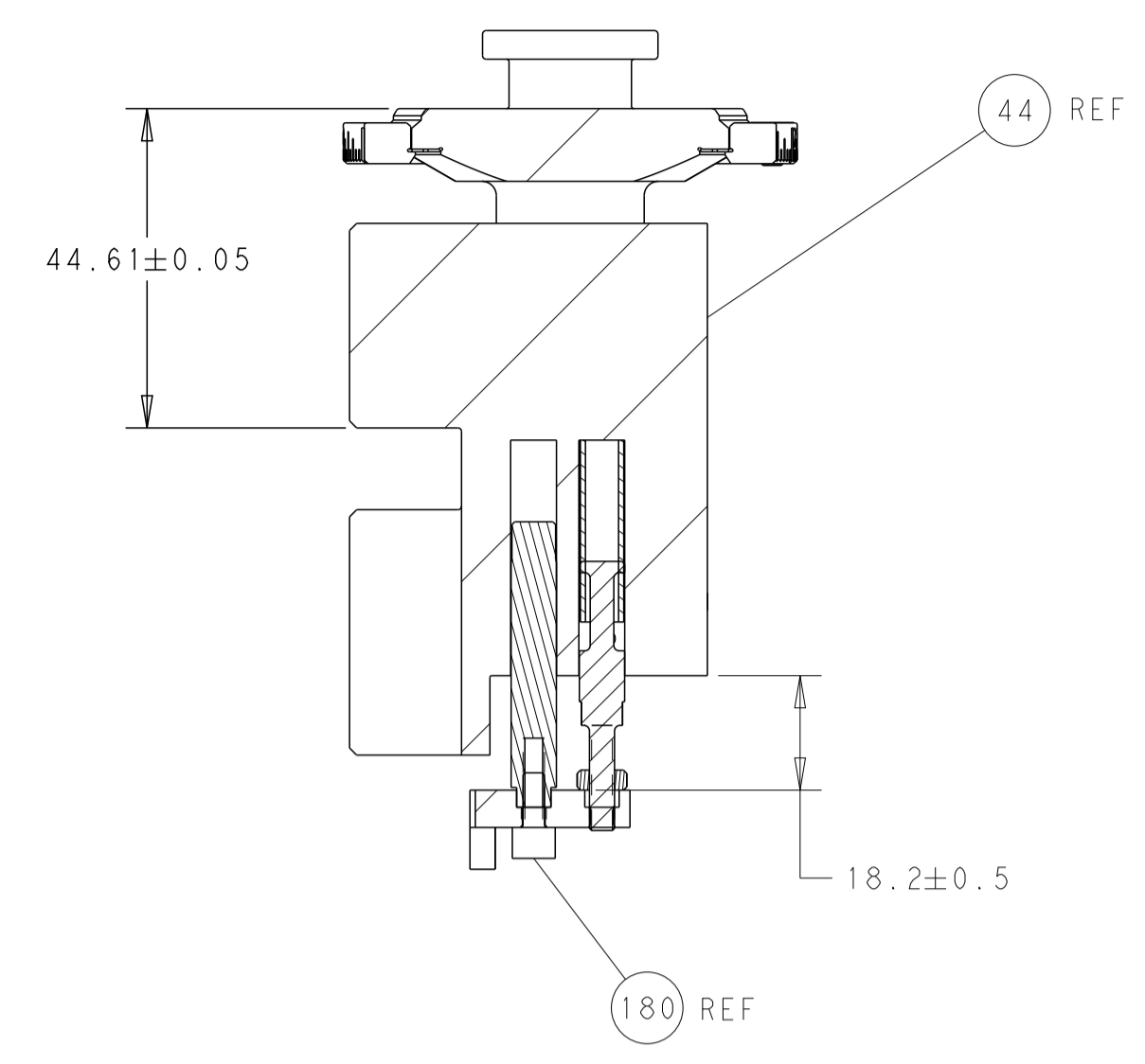


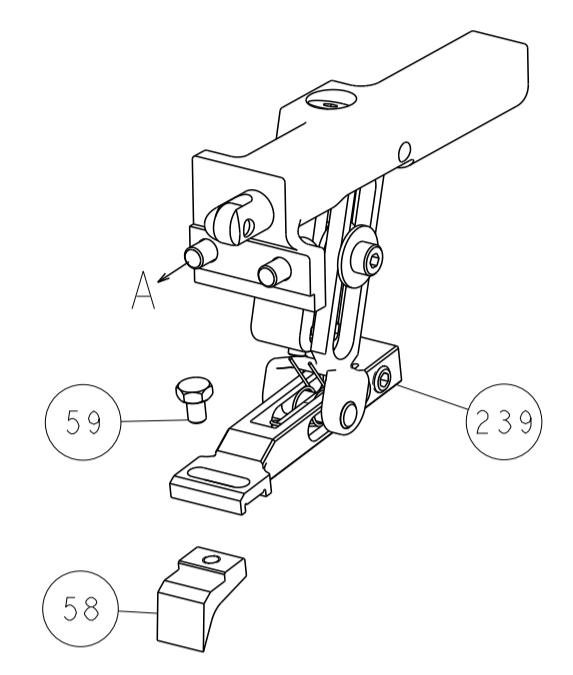


LOC	DIST	REV	DESCRIPTION	DATE	OWN	APVD
A	66		SEE SHEET 1			

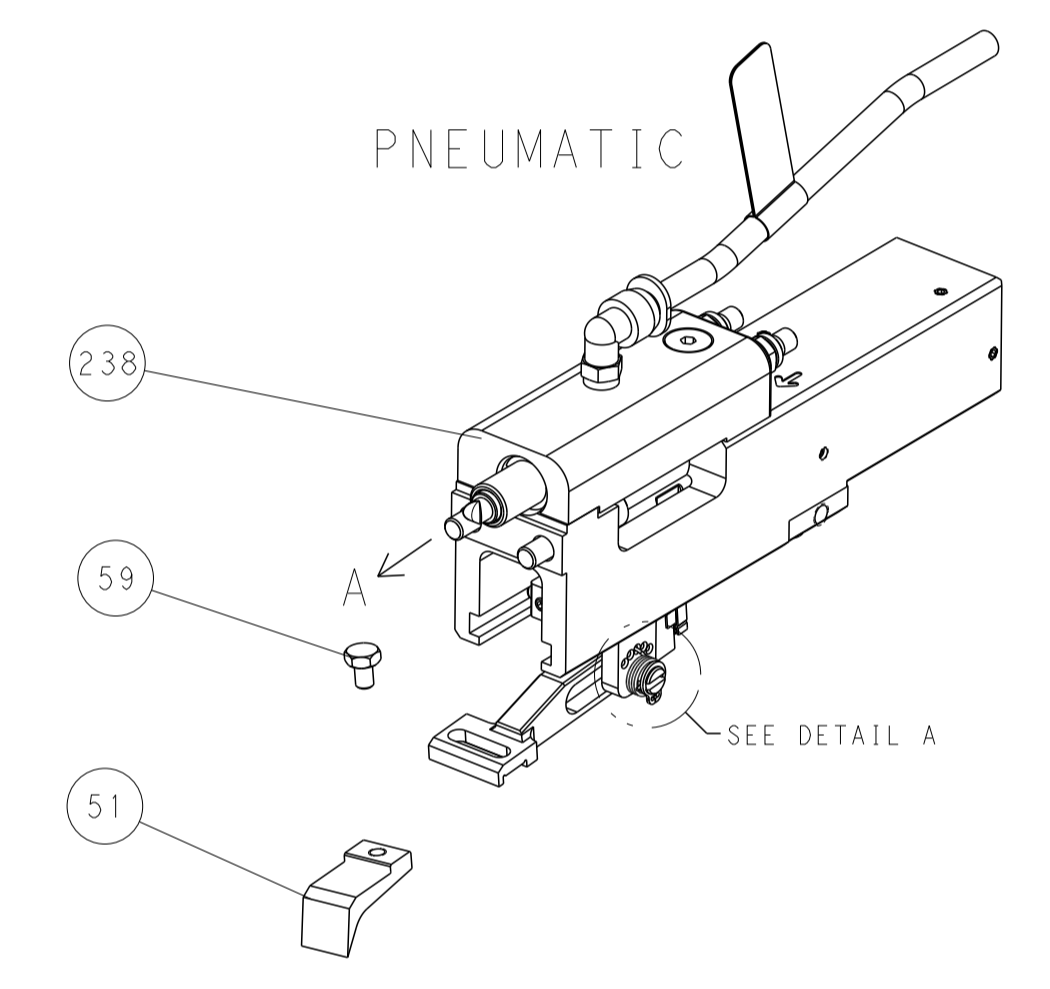


RAM AND HOLDDOWN SET-UP

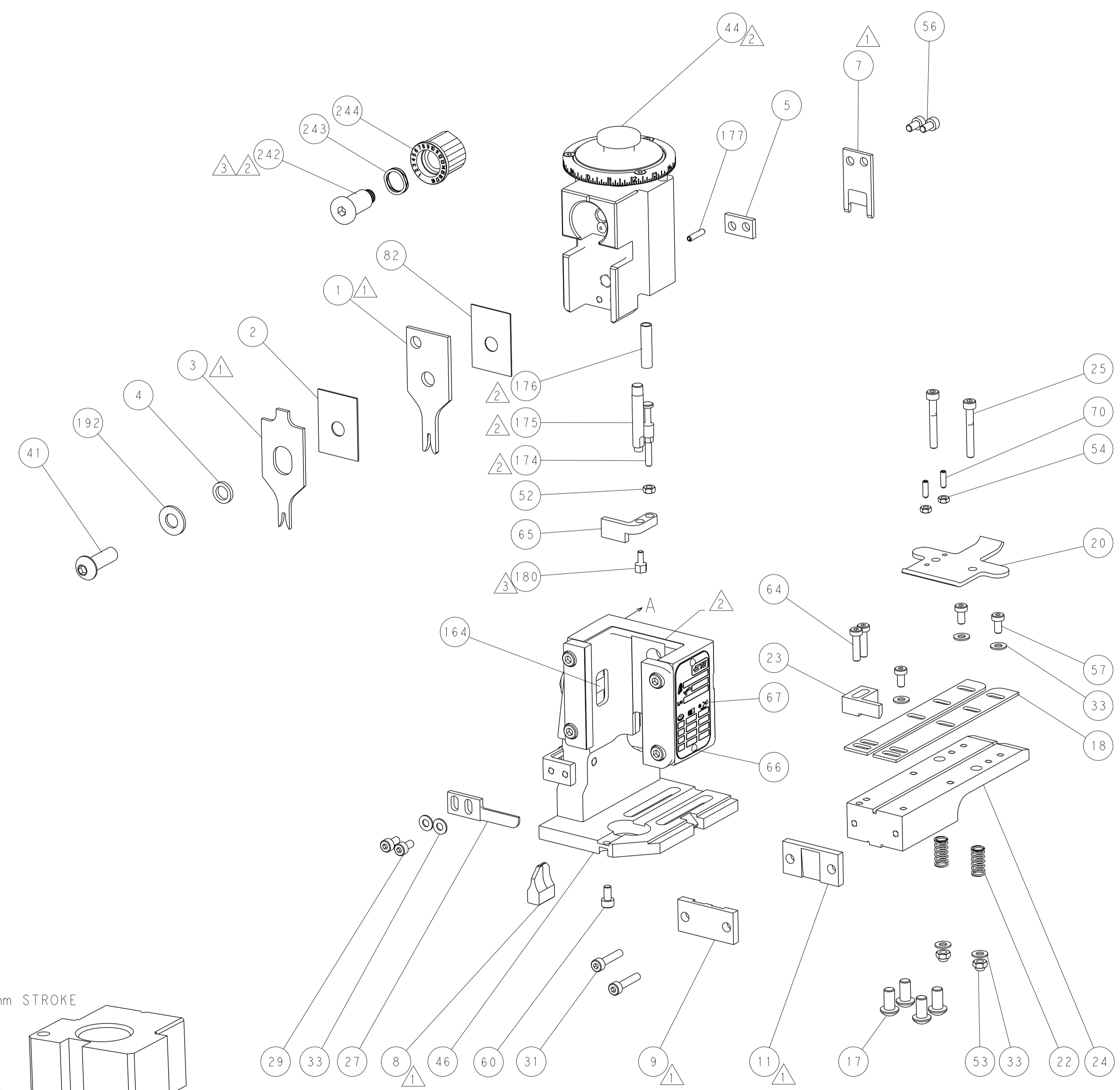
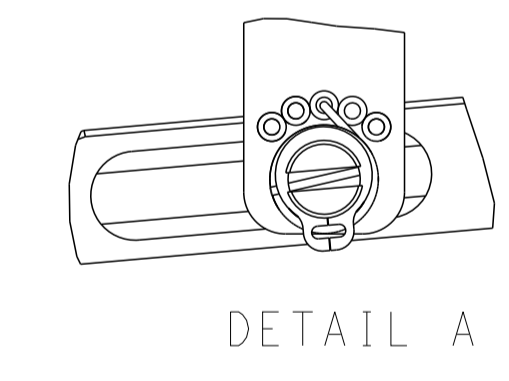
# FEED TYPE MECHANICAL



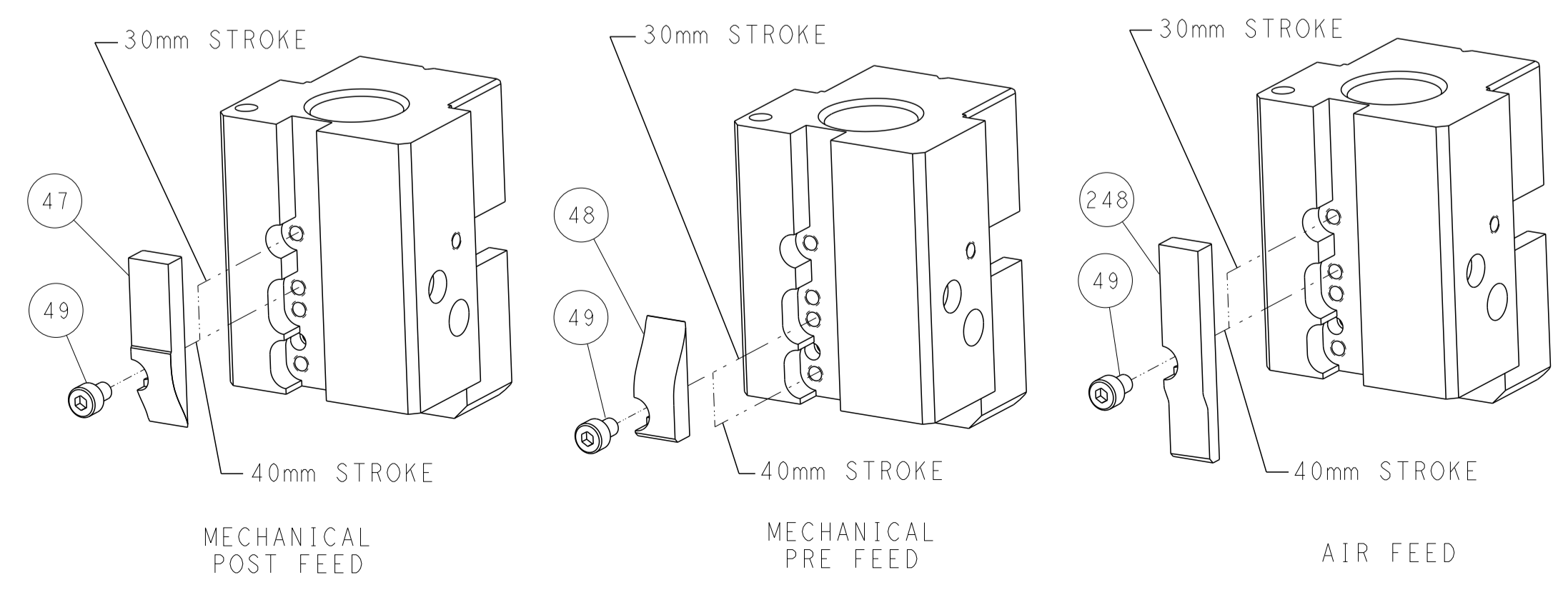
# PNEUMATIC



# FEED SPRING SETTING POSITION



# CAM POSITIONS



DIMENSIONS: mm 		TOLERANCES UNLESS OTHERWISE SPECIFIED: 0 PLC ± 1 PLC ± 2 PLC ± 3 PLC ± 4 PLC ± ANGLES ± FINISH		DWN K. HUANG 27MAR2014 CHK L. ZHANG 27MAR2014 APVD J. GUO 27MAR2014 NAME Ocean End Feed Applicator SIZE CAGE CODE DRAWING NO. RESTRICTED TO A 00779 C=2150415 Customer Accessible Production Drawing SCALE 1:1 SHEET 2 OF 4 REV D	
MATERIAL:		WEIGHT:		TE Connectivity Harrisburg, PA 17105-3608	