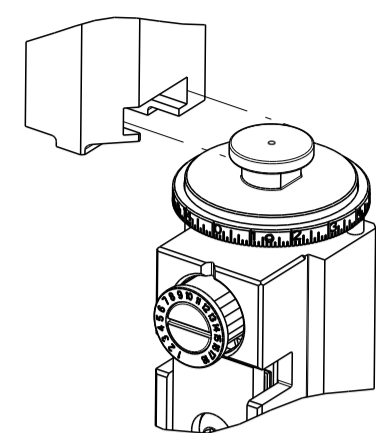


PART NUMBER	REVISION	DESCRIPTION	FEED TYPE
2150416-2	C	FINE CRIMP HEIGHT ADJUST	PNEUMATIC
7-2150416-2	C	PNEUMATIC AND CRIMP TOOLING KIT	PNEUMATIC
7-2150416-7	A	CRIMP TOOLING KIT	-

ATLANTIC VERSION TERMINATOR INTERFACE ADAPTER



APPLICATOR DATA		
CRIMP	SIZE	TYPE
WIRE	3.56 mm [.140]	F
INSUL	5.00 mm [.197]	F
APPL INSTRUCTIONS 408-35043		

TERMINAL DATA: TE TERMINAL		TE CRIMP SPECIFICATION	
TERMINAL NAME: 3.2 CLUSTER REC. L TYPE			
WIRE STRIP LENGTH		INSULATION DIAMETER RANGE	
7.70-8.70 mm [.303-.343 IN]		∅2.20-2.80 mm [.087-.110 IN]	
TERMINAL APPLICATION SPECIFICATION	114-5215		
TERMINALS APPLIED			
TE TERMINAL	TE TERMINAL	TE TERMINAL	TE TERMINAL
316292-5			

WIRE SIZE	CRIMP HEIGHT mm [INCH]	CRIMP HEIGHT REFERENCE SETTING
2 x ∅1.25	1.74 +/- 0.05 [.069 +/- .002]	6.6
2 x ∅1.20	1.70 +/- 0.05 [.067 +/- .002]	7.0
2 x ∅1.15 OR 2 x ∅1.1	1.66 +/- 0.05 [.065 +/- .002]	8.2

- RECOMMENDED SPARE PARTS
- REFER TO SUPPLIED INSTRUCTION SHEET FOR CLEANING, LUBRICATION AND STORAGE OF APPLICATOR.
- APPLY PART NUMBER 1-23419-5 LOCTITE TO THREADS OF ITEM 180. APPLY PART NUMBER 2-23419-6 LOCTITE TO THREADS OF ITEM 242.
- CRIMP HEIGHT REFERENCE SETTING WAS THE SETTING USED WHEN THE APPLICATOR WAS QUALIFIED AT THE FACTORY. ADJUSTMENT MAY BE NECESSARY WHEN RUNNING APPLICATOR IN THE FIELD.
- 5. UNLESS SPECIFIED OTHERWISE TORQUE VALUES SHALL BE USED PER DOCUMENT, 101-35000.
- TERMINAL PITCH NOT COMPATIBLE WITH MECHANICAL FEED.
- TERMINAL LUBRICANT IS RECOMMENDED.

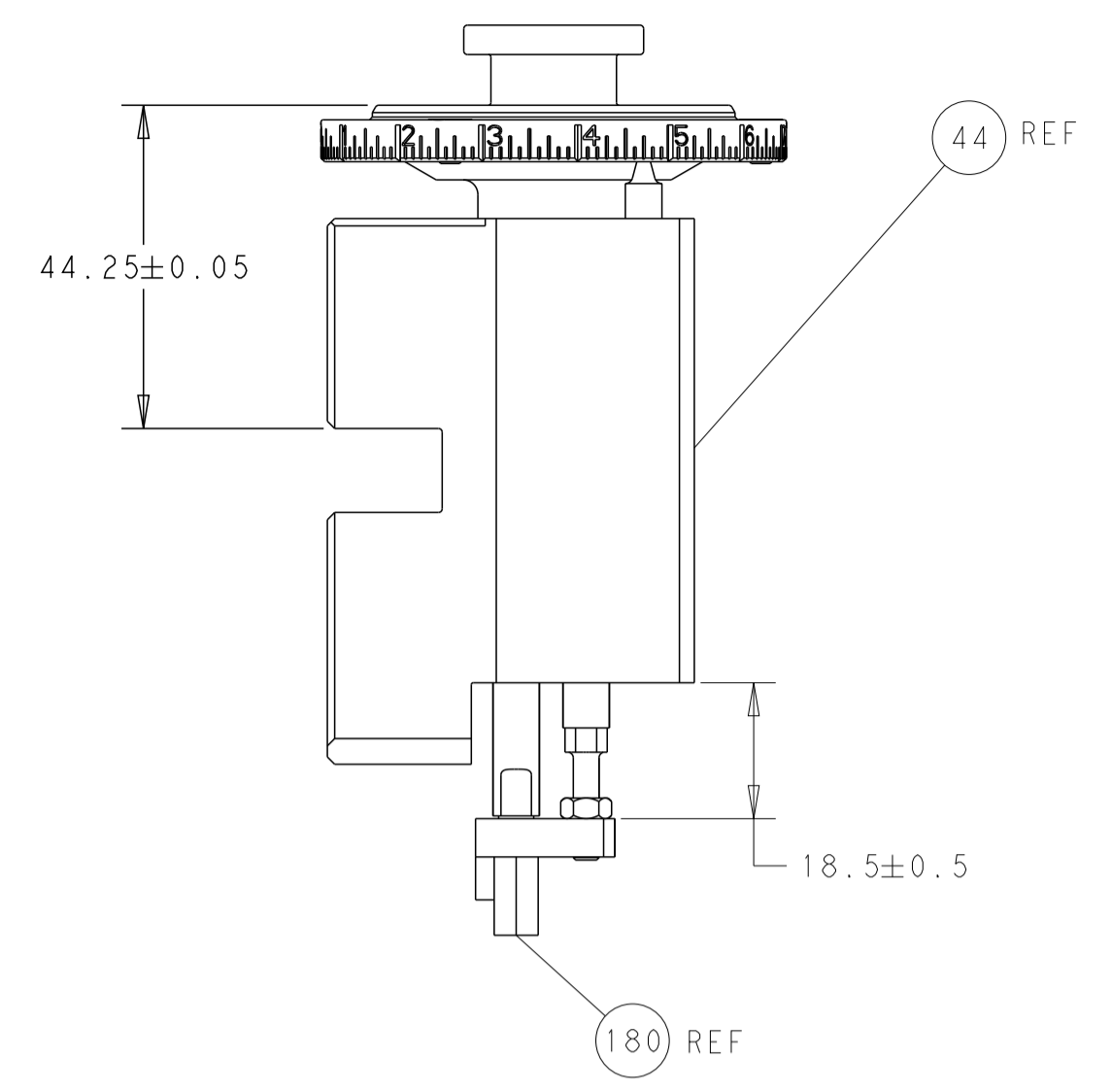
***WARNING**
ON INSTALLATION, SET WIRE DISC TO CRIMP HEIGHT REFERENCE SETTING FOR LARGEST WIRE SIZE. CRIMP HEIGHT REFERENCE SETTINGS GREATER THAN THE VALUE SHOWN MAY CAUSE DAMAGE TO THE CRIMP TOOLING, REFER TO THE INSTRUCTION SHEET FOR PROPER SETUP AND ADJUSTMENTS.

LOC	DIST	REVISIONS					
A	66	P	LTN	DESCRIPTION	DATE	DWN	APVD
		A1		ECR-16-012431	16SEP2016	TB	TE
		A2		ECR-17-013404	13SEP2017	KH	LZ
		B		ECR-19-004799	26MAR2019	FL	CT
		C		ECR-24-199559	06FEB2024	TB	RK

-	1	1	2119641-1	FEED CAM, AIR FEED	248	
-	1	1	2119082-6	CAM, SNAIL, INSULATION ADJUSTMENT	244	
-	1	1	2079764-1	WASHER, WAVE SPRING, CREST-TO-CREST	243	
	1	1	2119083-1	RETAINER, INSULATION DIAL	242	
-	1	1	2844940-4	AIR FEED MODULE	238	
-	1	1	1-18028-0	WASHER, FLAT, REG M8	192	
	1	1	2-1752354-7	STANDOFF, HOLD-DOWN	180	
-	1	1	6-993111-6	PIN, SLOTTED SPRING 3.0 X 14.0	177	
-	1	1	8-22280-7	SPRING, COMPRESSION	176	
-	1	1	1752353-2	GUIDE PIN, HOLDDOWN	175	
-	1	1	1901680-2	GUIDE PIN, HOLDDOWN	174	
-	REF	REF	994970-2	COUNTER, MAGNETIC	164	
	1	1	2119955-2	ASSY, LUBRICATOR, END FEED	84	
-	1	1	455888-5	SPACER, CRIMPER -	82	
-	1	1	1803607-4	DOCUMENTATION PACKAGE	71	
-	2	2	2-18032-2	SCR, SET, FLT PNT, M3 X 10.0	70	
-	1	1	2119740-1	TAG, IDENTIFICATION	67	
-	2	2	2168078-1	SCREW, DRIVE, RH, RoHS, 2 x .188	66	
-	1	1	1901681-1	HOLDDOWN, TERMINAL	65	
-	1	1	2168083-2	SCR, SKT HD CAP, RoHS, M4 X 8.0	60	
-	1	1	5-18022-5	SCR, HEX HD CAP, M4 X 6.0	59	
-	4	4	2168400-4	SHCS, LOW HEAD, RoHS, M4 X 8	57	
-	2	2	2-2168083-5	SCR, SKT HD CAP, RoHS, M4 X 14	56	
-	2	2	5018030-1	NUT, HEX, REG, RoHS, M3	54	
-	2	2	986965-8	NUT, LOCK, HEX, TORQUE (M4)	53	
-	1	1	1-5018030-0	NUT, HEX, REG, RoHS, M3.5	52	
-	1	1	2063961-1	FEED FINGER	51	
-	1	1	18023-9	SCR, SKT HD CAP M4 X 6.0	49	
-	1	1	2119655-5	APPLICATOR BASIC ASSEMBLY, EF	46	
-	1	1	1803517-1	RAM ASSEMBLY, EF ATLANTIC	44	
-	1	1	1803602-1	SCR, BHSC, RoHS (M8 X 25)	41	
-	8	8	1-18028-2	WASHER, FLAT, REG M4	33	
-	2	2	2168083-9	SCR, SKT HD CAP, RoHS, M4 X 20	31	
-	2	2	2168083-2	SCR, SKT HD CAP, RoHS, M4 X 8.0	29	
-	1	1	690455-3	STRIPPER, FRONT CASTING	27	
-	2	2	1-2168083-5	SCR, SKT HD CAP, RoHS, M4 X 30	25	
-	1	1	2-1752371-0	PLATE, STRIP GUIDE	24	
-	2	2	22281-8	SPRING, COMPRESSION	22	
-	1	1	1803292-4	DRAG	20	
-	2	2	1901259-7	GUIDE, LOWER STRIP	18	
-	4	4	1-2079383-1	SCR, BHSC, RoHS (M6 X 12)	17	
-	1	1	2-240641-0	SPACER	16	
-	1	1	1752360-1	SPACER, HOLD-DOWN	13	
	1	1	240833-6	PLATE, REAR SHEAR	11	
-	2	2	7-240645-4	SPACER, SHEAR PLATE	10	
	1	1	240642-1	PLATE, FRONT SHEAR	9	
	1	2	1	8-1803001-0	ANVIL, COMBINATION, END FEED	8
	1	1	1	9-240651-2	BLADE, SLUG	7
-	-	-	-	-	6	
-	1	1	1	240641-4	SPACER	5
-	1	1	1	238011-4	BLOCK, CRIMPER SPACER	4
	1	2	1	2-1803016-9	CRIMPER, INSULATION F	3
-	1	1	1	1-455888-0	SPACER, CRIMPER -	2
	1	2	1	1-409414-3	CRIMPER, WIRE	1
-	77	72	-2	PART NO	DESCRIPTION	ITEM NO

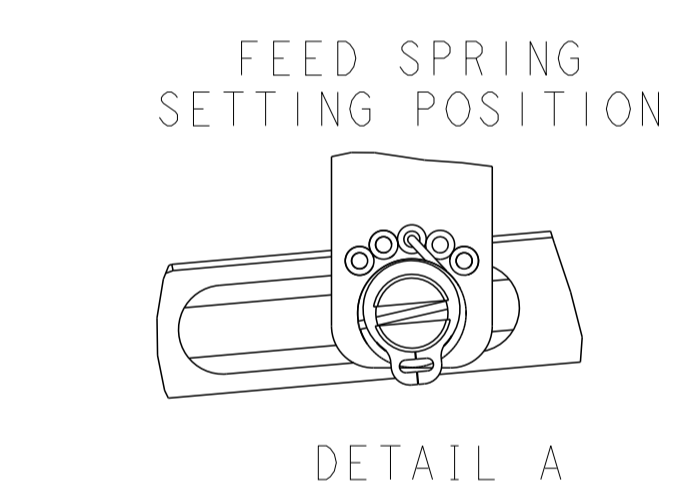
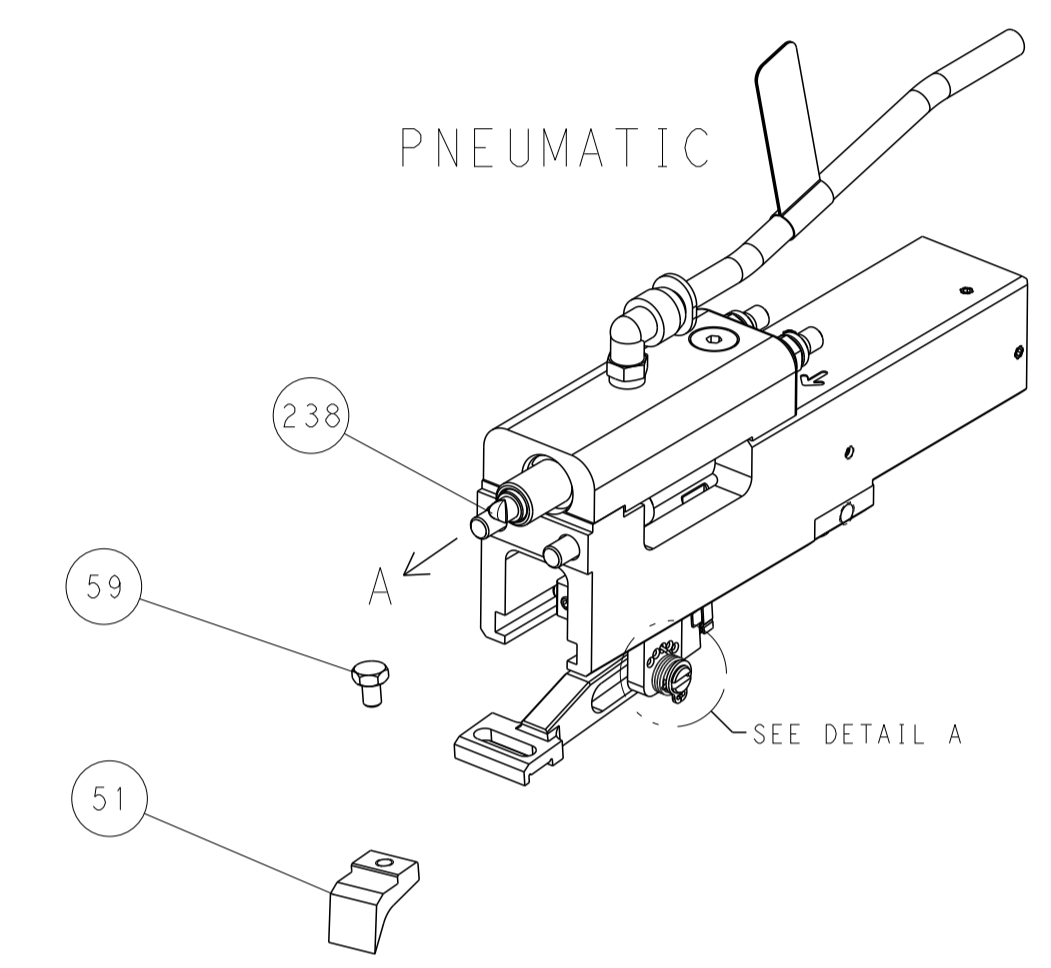
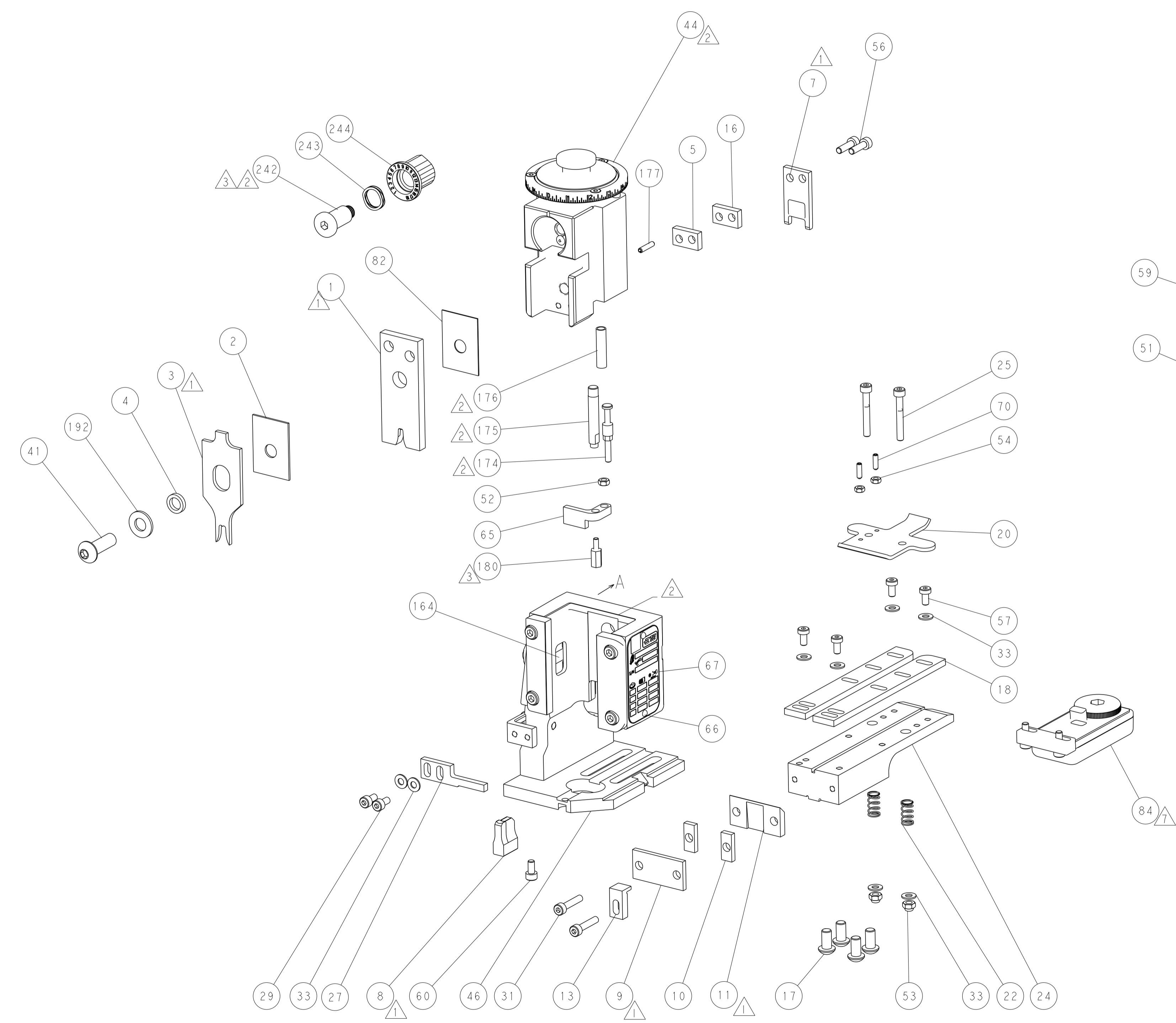
DIMENSIONS:		TOLERANCES UNLESS OTHERWISE SPECIFIED:		MATERIAL:	
mm	0 PLC ±	1 PLC ±	2 PLC ±	3 PLC ±	4 PLC ±
	ANGLES ±	FINISH			
DWN H. HUANG ZOMAY2015		CHK L. ZHANG ZOMAY2015		APVD J. GUO ZOMAY2015	
NAME		PRODUCT SPEC		APPLICATION SPEC	
SIZE		CAGE CODE		DRAWING NO	
A1		00779		C=2150416	
Customer Accessible Production Drawing		SCALE 1:1		SHEET 1 OF 4	

LOC	DIST	REVISIONS			
P	LTN	DESCRIPTION	DATE	DMN	APVD
A	66	SEE SHEET 1			

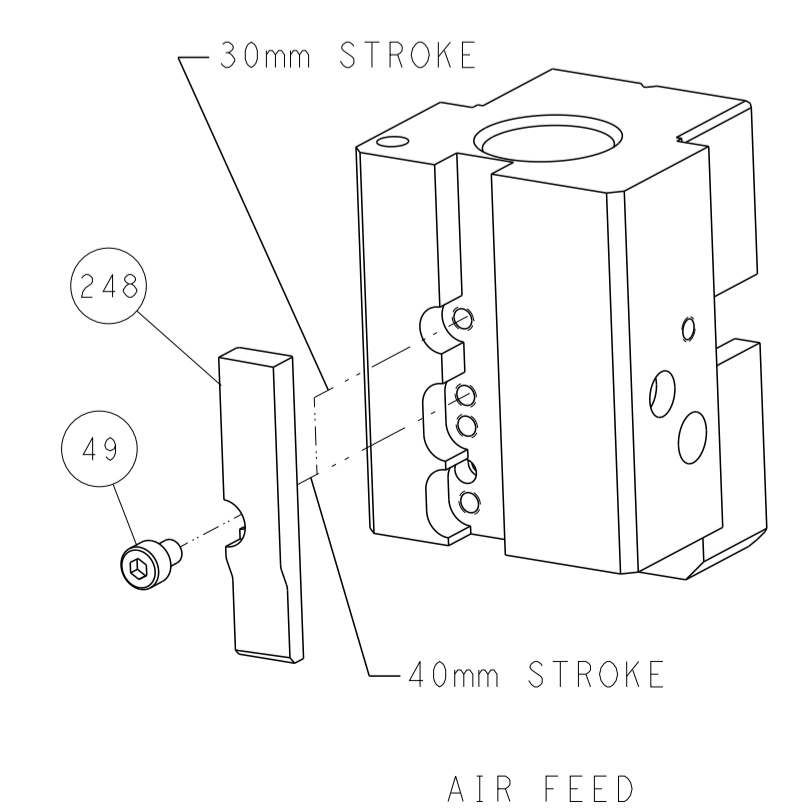


RAM AND HOLDDOWN SET-UP

FEED TYPE



CAM POSITION



AIR FEED

DIMENSIONS: mm 		TOLERANCES UNLESS OTHERWISE SPECIFIED: 0 PLC ± 1 PLC ± 2 PLC ± 3 PLC ± 4 PLC ± ANGLES ± FINISH		DWN K. HUANG ZOMAY2015 CHK L. ZHANG ZOMAY2015 APVD J. GUO ZOMAY2015 PRODUCT SPEC APPLICATION SPEC WEIGHT SCALE 1:1 SHEET 2 OF 4 REV C		NAME Ocean End Feed Applier SIZE CAGE CODE DRAWING NO. A1 00779 C=2150416 RESTRICTED TO	
THIS DRAWING IS UNPUBLISHED. RELEASED FOR PUBLICATION BY TYCO ELECTRONICS CORPORATION. ALL RIGHTS RESERVED.				TE Connectivity Harrisburg, PA 17105-3608			