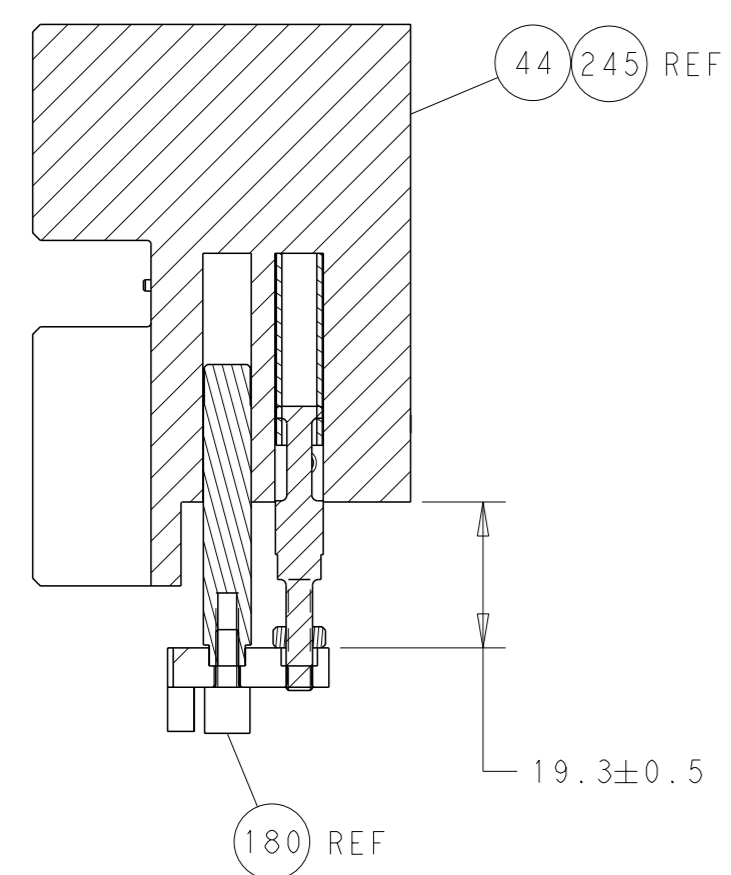
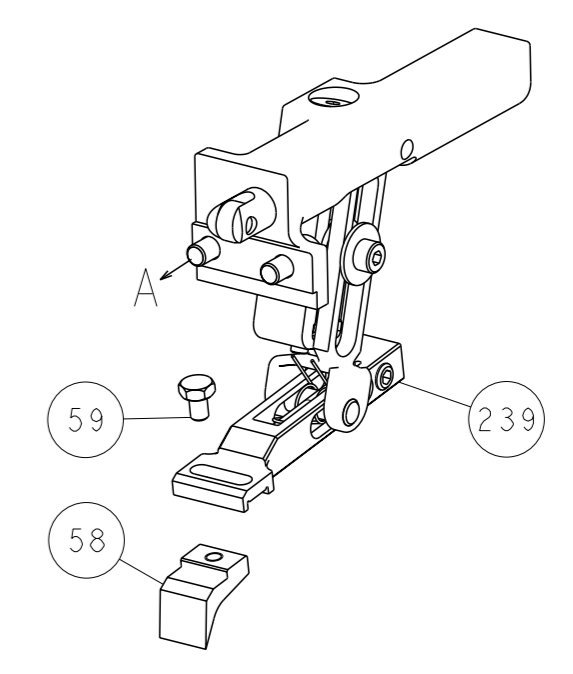


LOC	DIST	REVISIONS					
A	66	P	LYR	DESCRIPTION	DATE	OWN	APVD
		-		SEE SHEET 1			

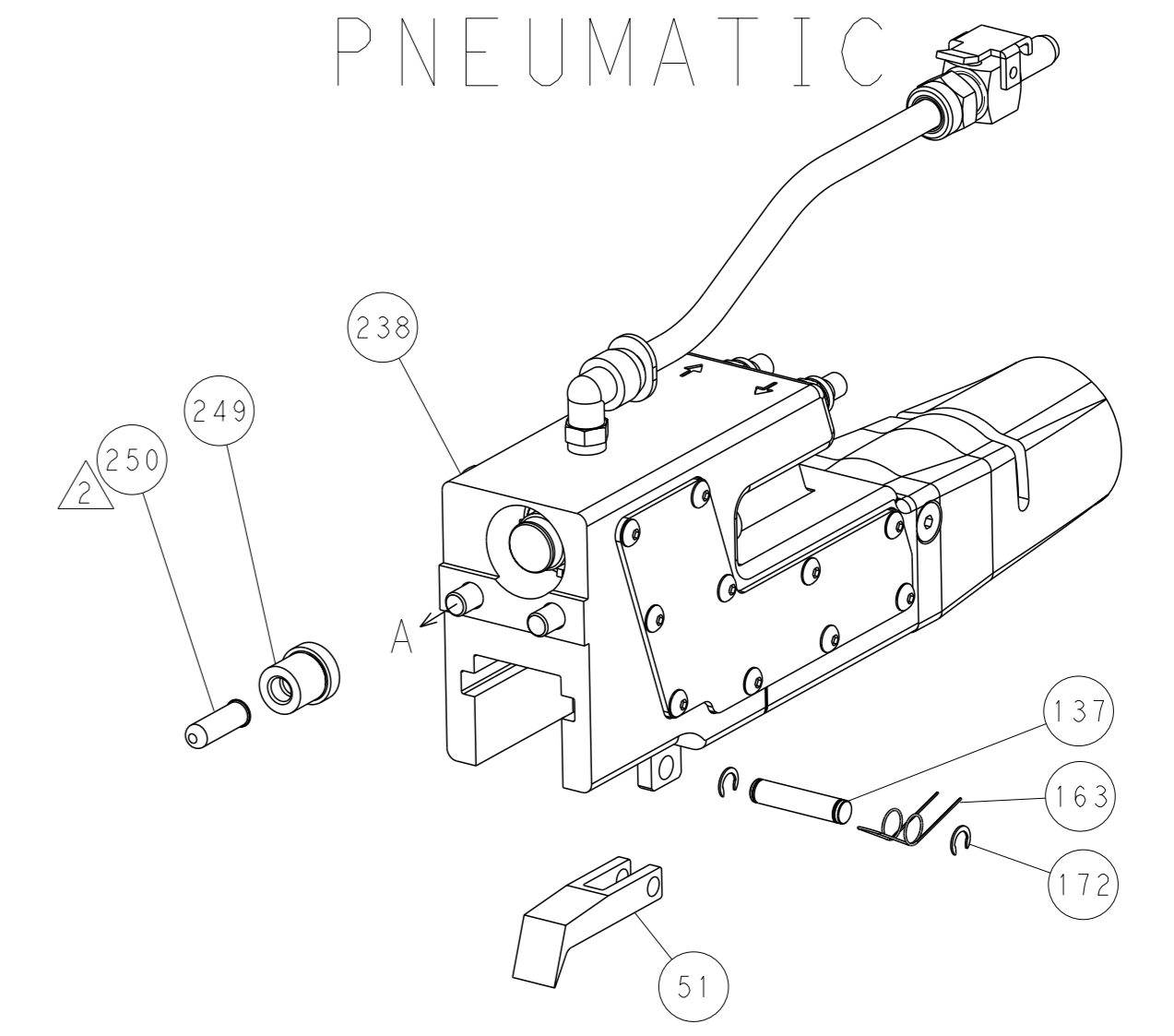


HOLDDOWN SET-UP

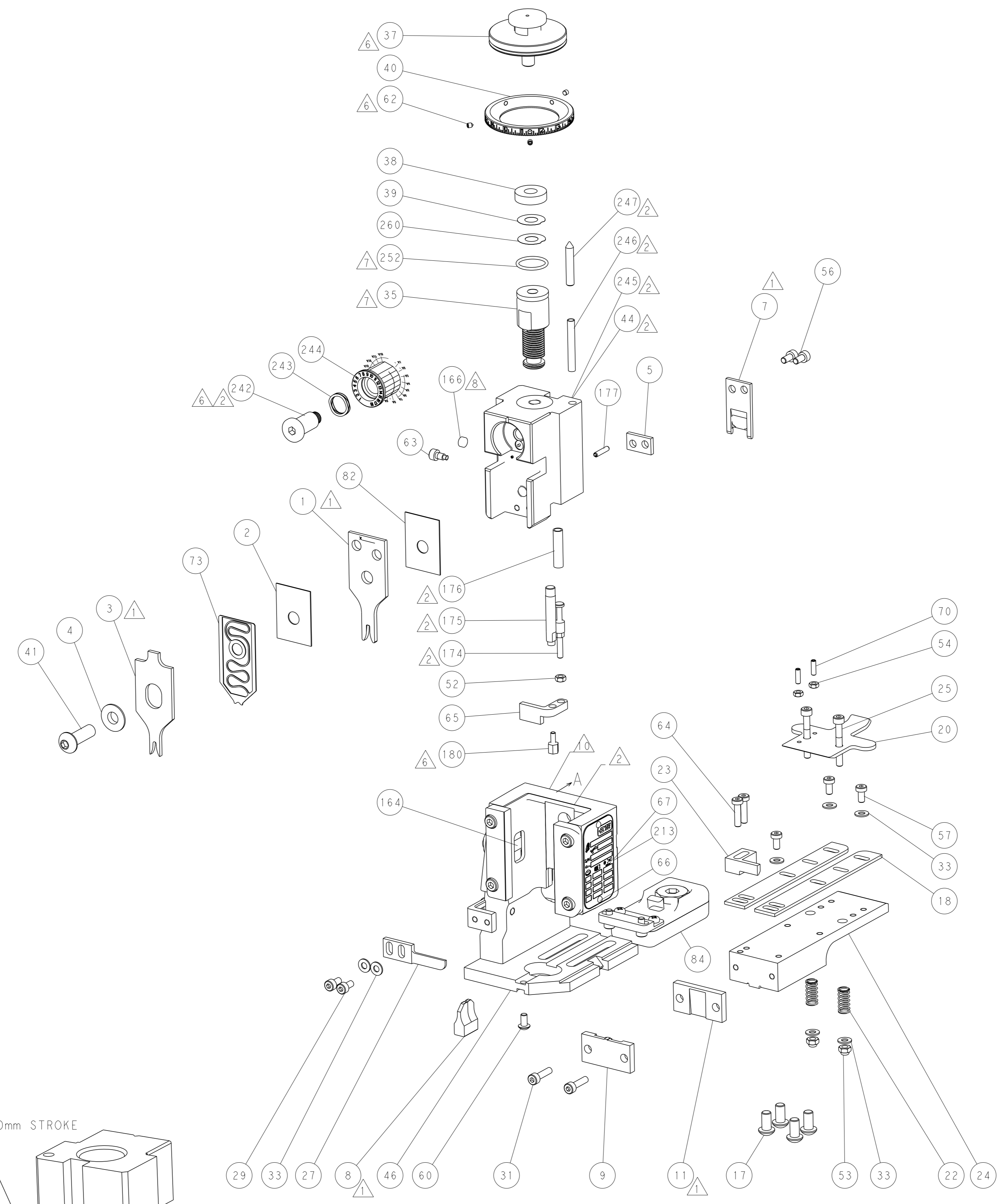
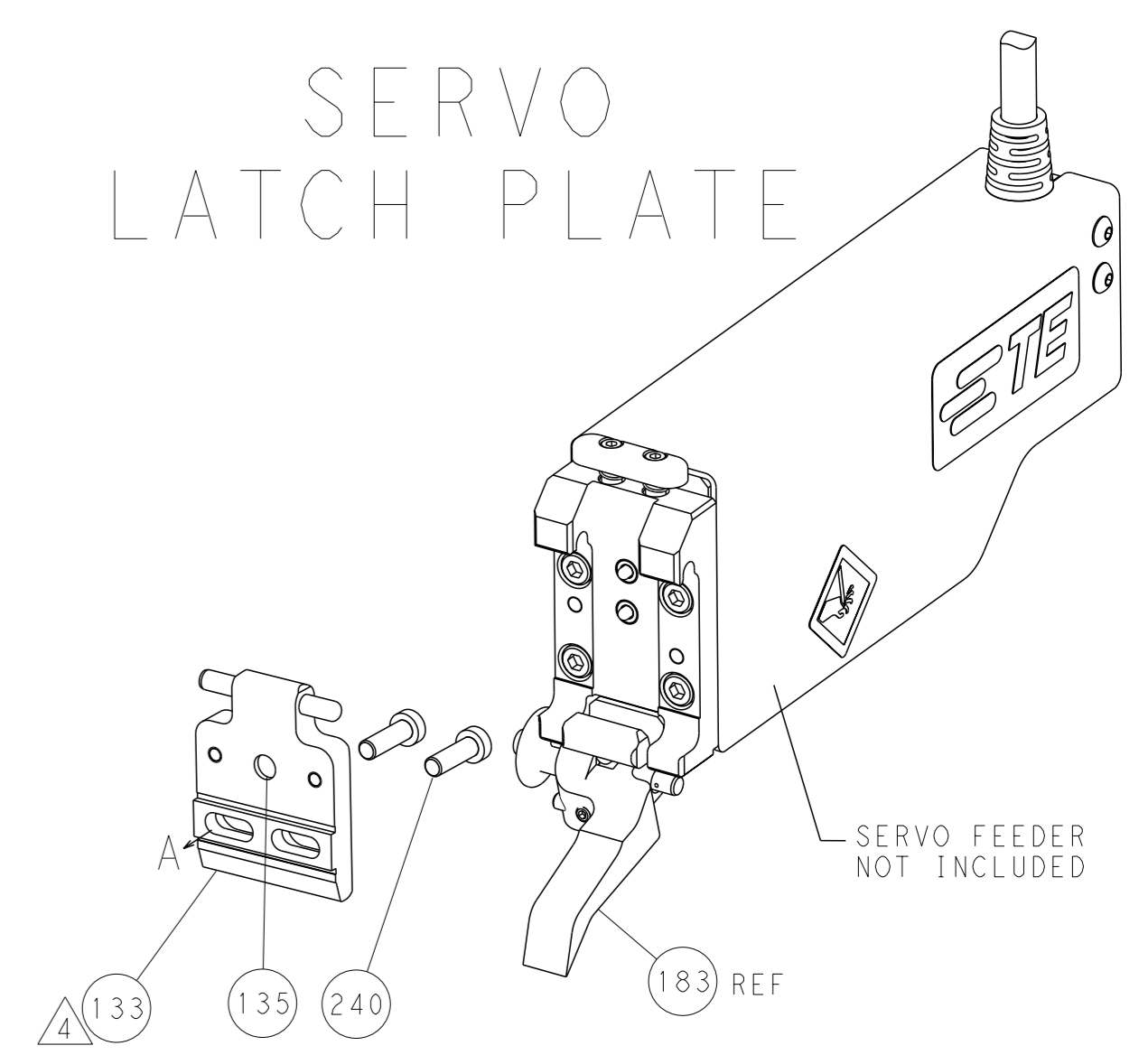
FEED TYPE
MECHANICAL



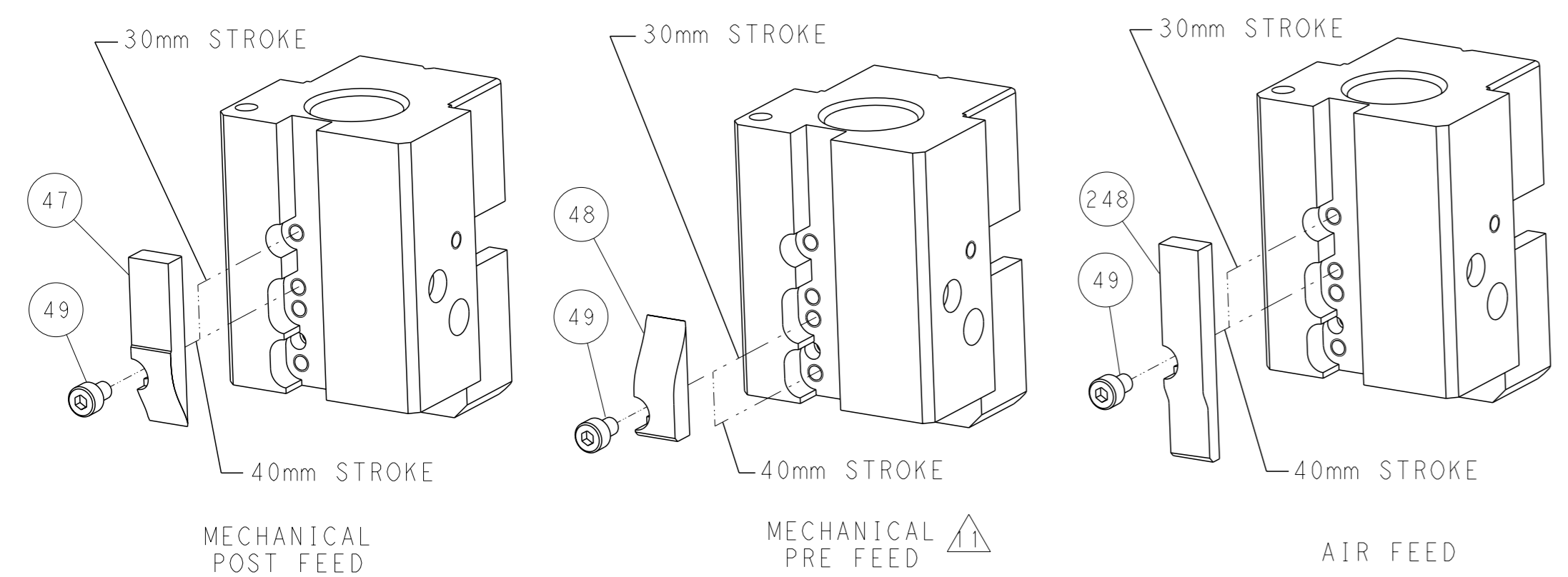
PNEUMATIC



SERVO
LATCH PLATE



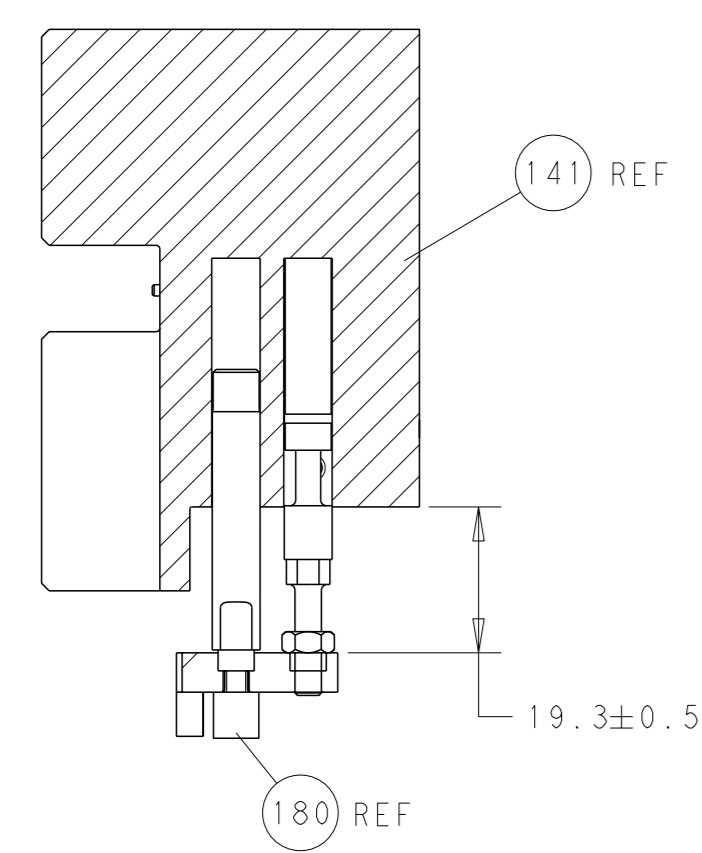
CAM POSITIONS



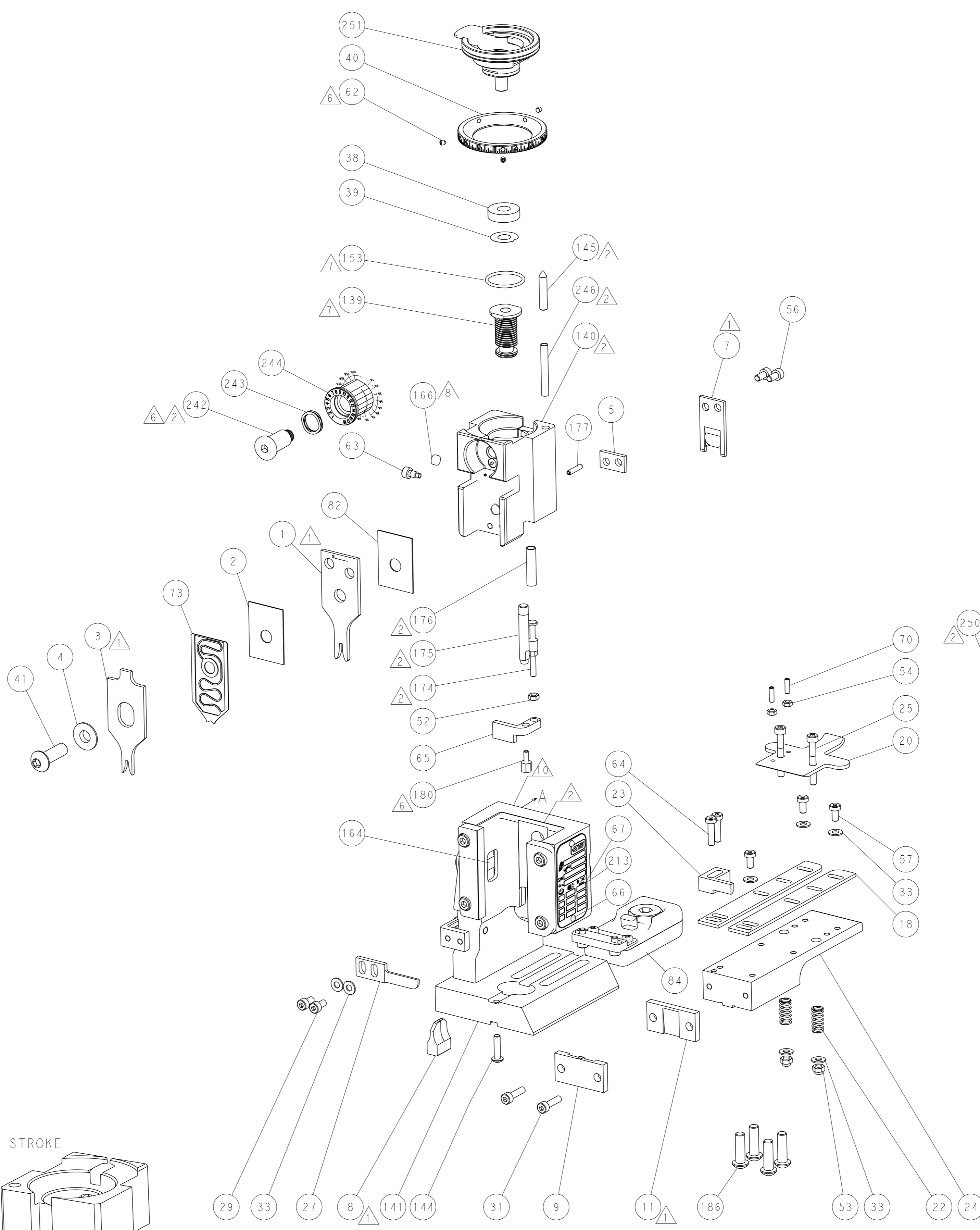
ATLANTIC VERSION
 Shown on sheets 1 of 4 & 2 of 4
 (Pacific version shown on sheets 3 of 4 & 4 of 4)

DIMENSIONS: mm TOLERANCES UNLESS OTHERWISE SPECIFIED: 0 PLC ± 1 PLC ± 2 PLC ± 3 PLC ± 4 PLC ± ANGLES FINISH *		OWN: K. HUANG 12APR2016 CHK: L. ZHANG 12APR2016 APVD: L. ZHANG 12APR2016 PRODUCT SPEC APPLICATION SPEC WEIGHT Customer Accessible Production Drawing	NAME: Ocean End Feed Applicator SIZE: A1 CAGE CODE: 00779 DRAWING NO: C=2150663 SCALE: 1:1 SHEET: 2 of 4 REV: A	TE Connectivity Harrisburg, PA 17105-3608
--	--	--	---	--

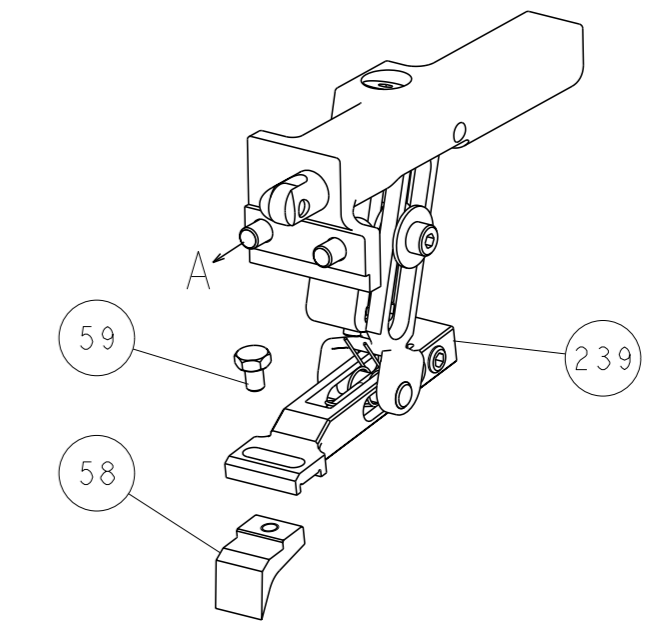
LOC		DIST		REVISIONS			
A	66	P	LYR	DESCRIPTION	DATE	OWN	APVD
		-		SEE SHEET 1			



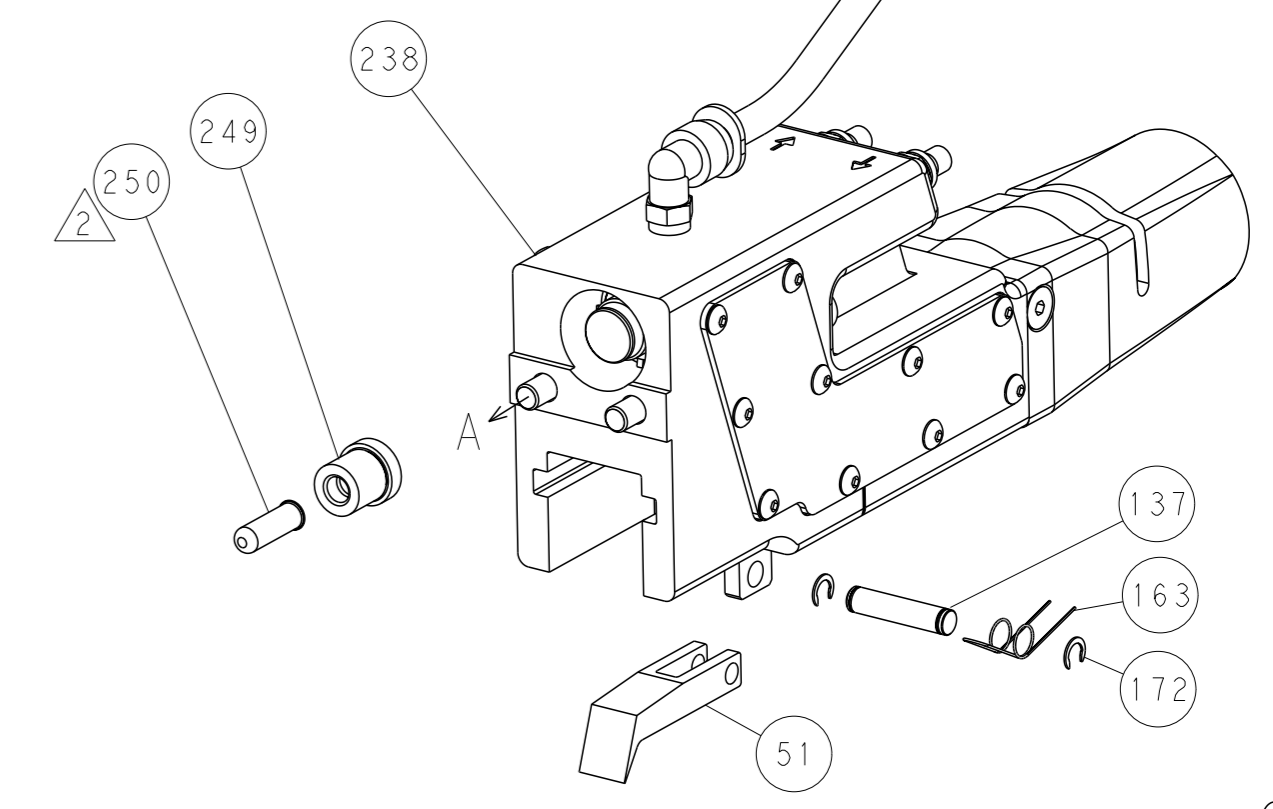
HOLDDOWN SET-UP



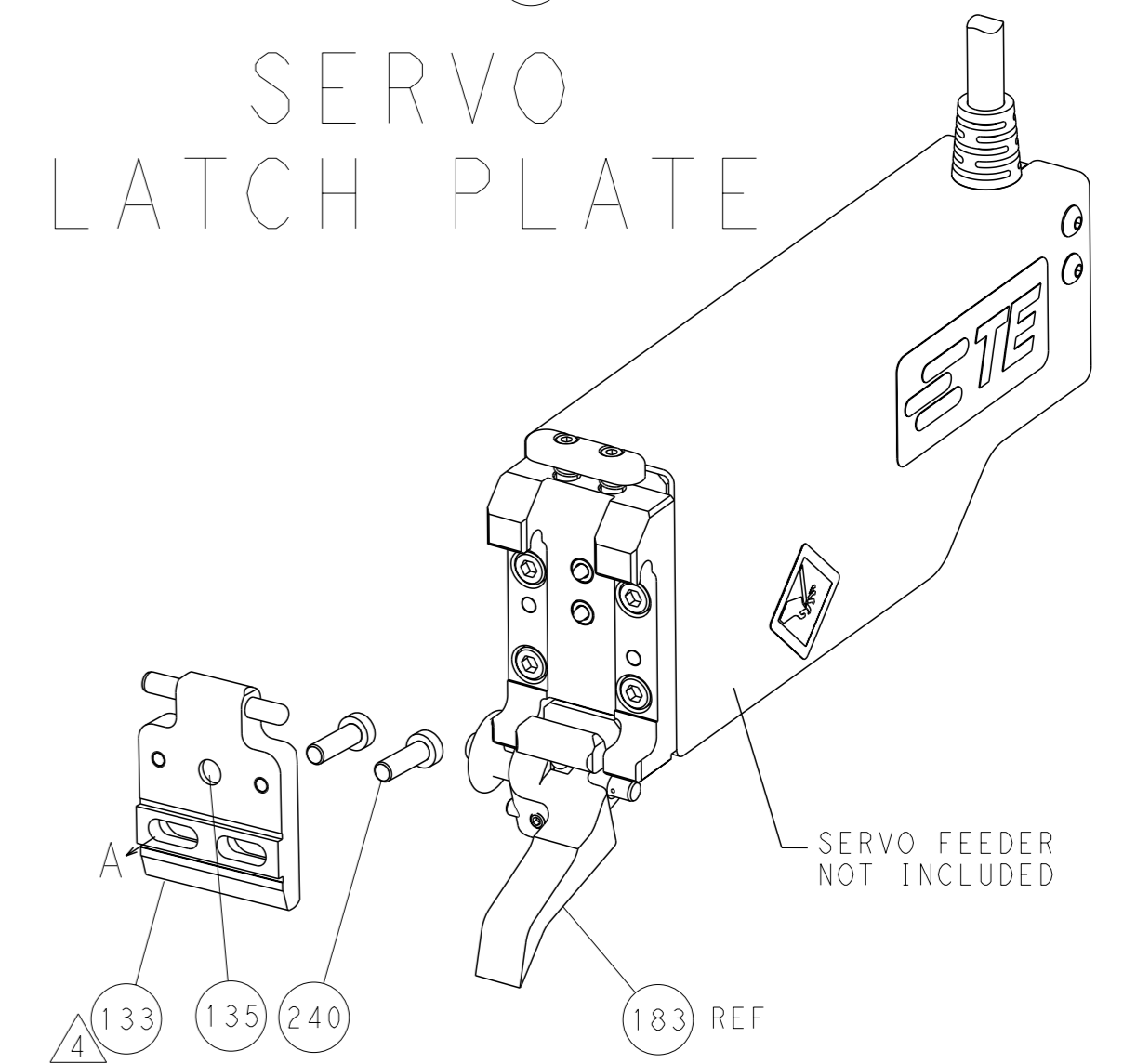
FEED TYPE
MECHANICAL



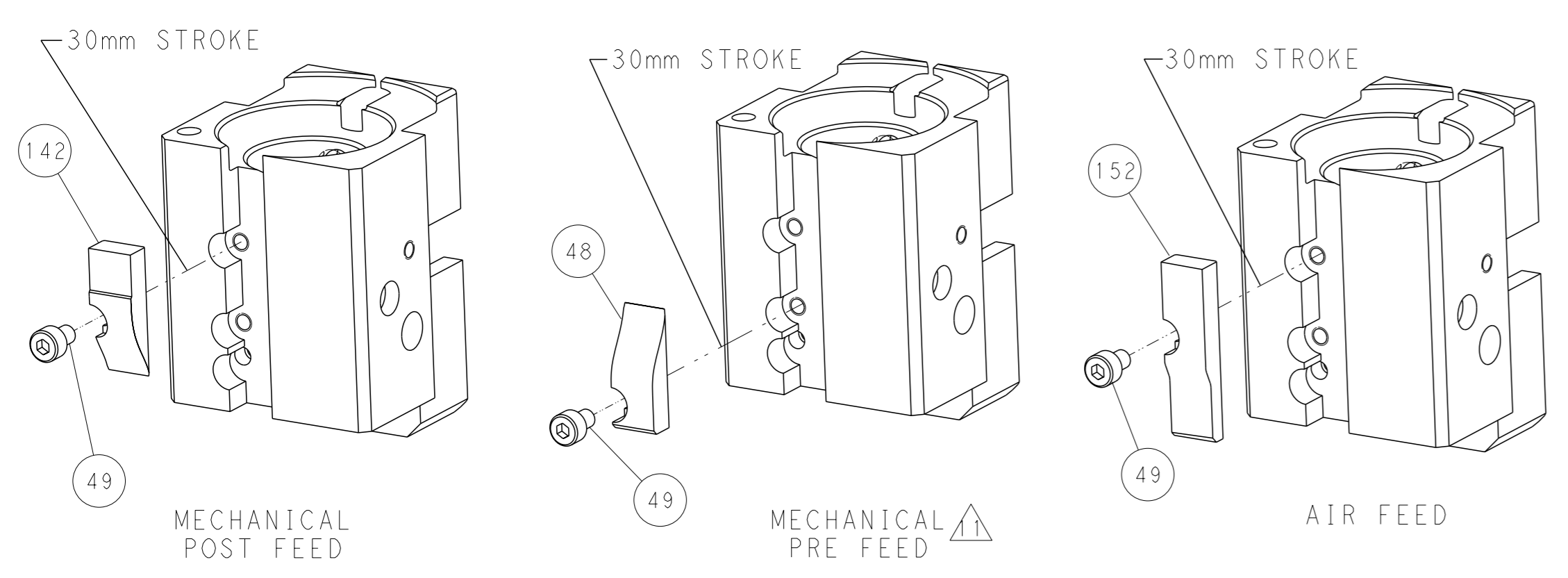
PNEUMATIC



SERVO LATCH PLATE



CAM POSITIONS



PACIFIC VERSION
 Shown on sheets 3 of 4 & 4 of 4
 (Atlantic version shown on sheets 1 of 4 & 2 of 4)

DIMENSIONS: mm 		TOLERANCES UNLESS OTHERWISE SPECIFIED: 0 PLC ± 1 PLC ± 2 PLC ± 3 PLC ± 4 PLC ± ANGLES FINISH ±		OWN: K. HUANG 12APR2016 CHK: L. ZHANG 12APR2016 APVD: L. ZHANG 12APR2016 PRODUCT SPEC APPLICATION SPEC WEIGHT Customer Accessible Production Drawing		NAME: Ocean End Feed Applicator SIZE: A1 CAGE CODE: 00779 DRAWING NO: C=2150663 SCALE: 1:1 SHEET: 4 of 4 REV: A	
MATERIAL:				RESTRICTED TO:		SHEETS 1 & 2 ARE NOT REQUIRED FOR PACIFIC VERSION	