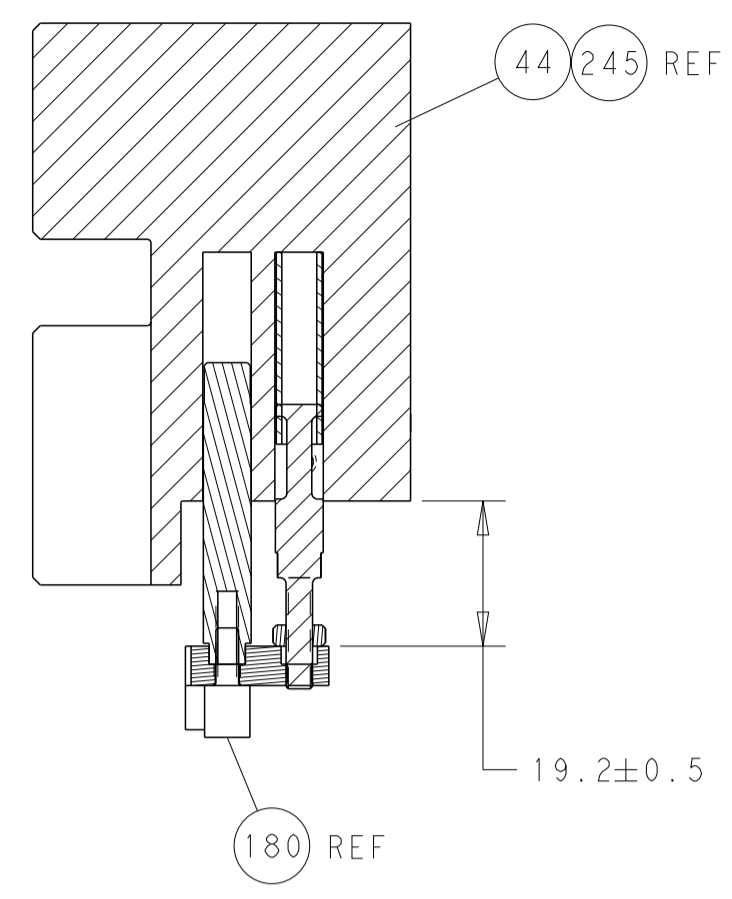
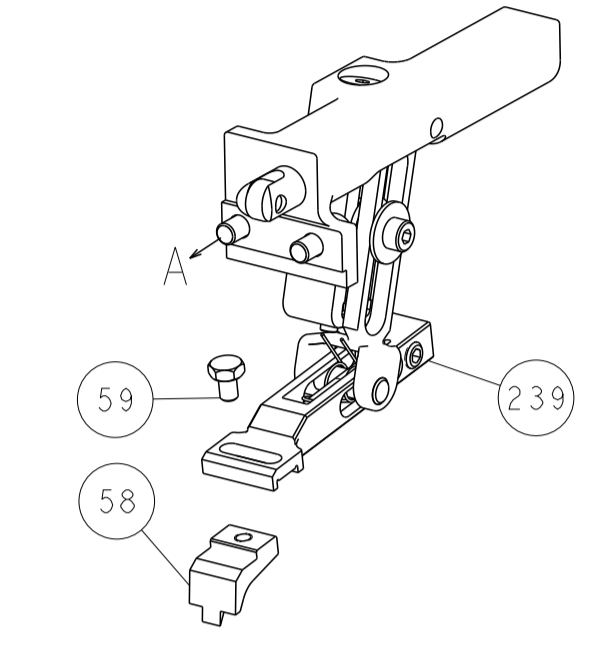


| LOC | DIST | REV | DESCRIPTION | DATE | OWN | APVD |
|-----|------|-----|-------------|------|-----|------|
| A | 66 | | SEE SHEET 1 | | | |

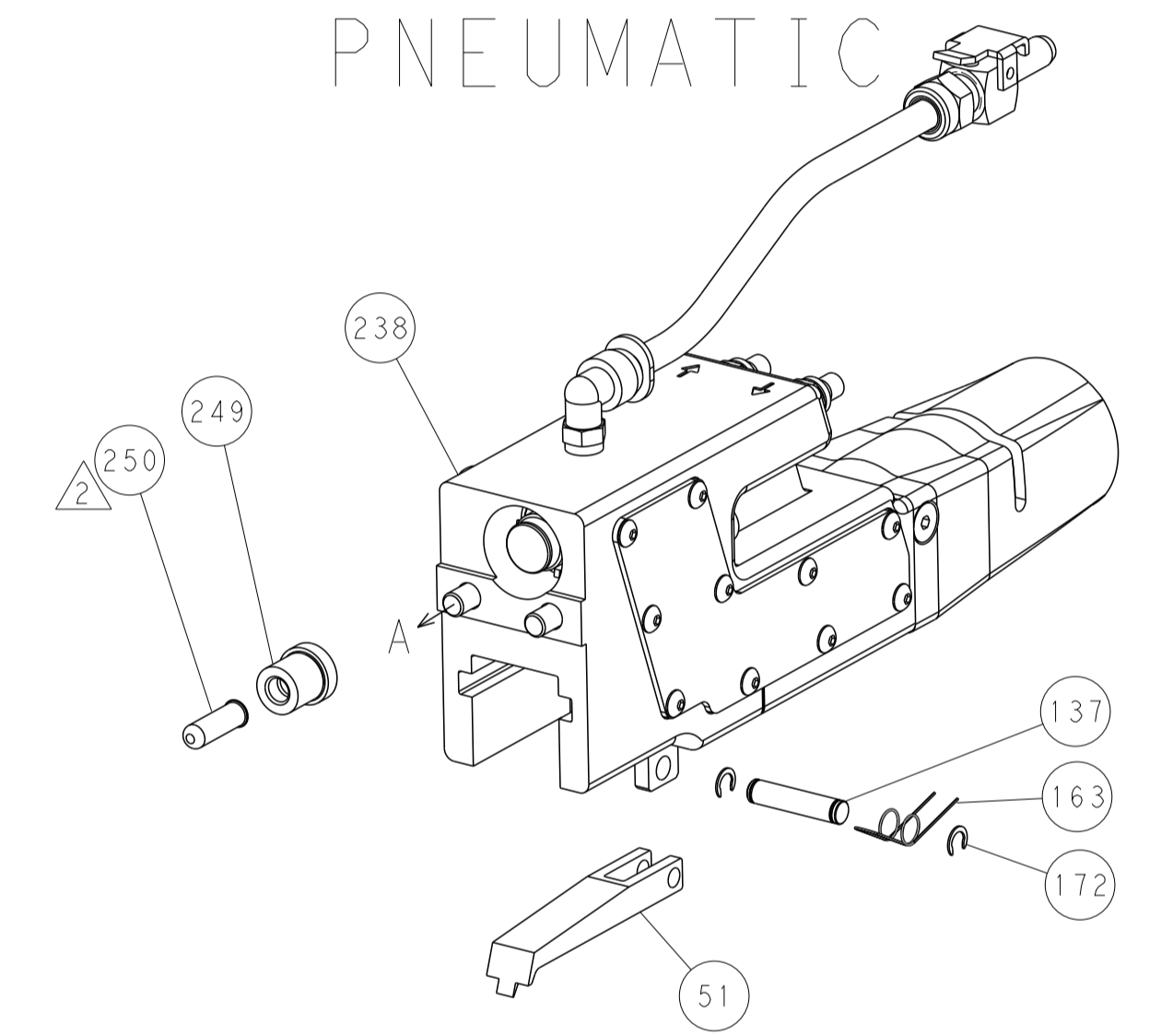


HOLDDOWN SET-UP

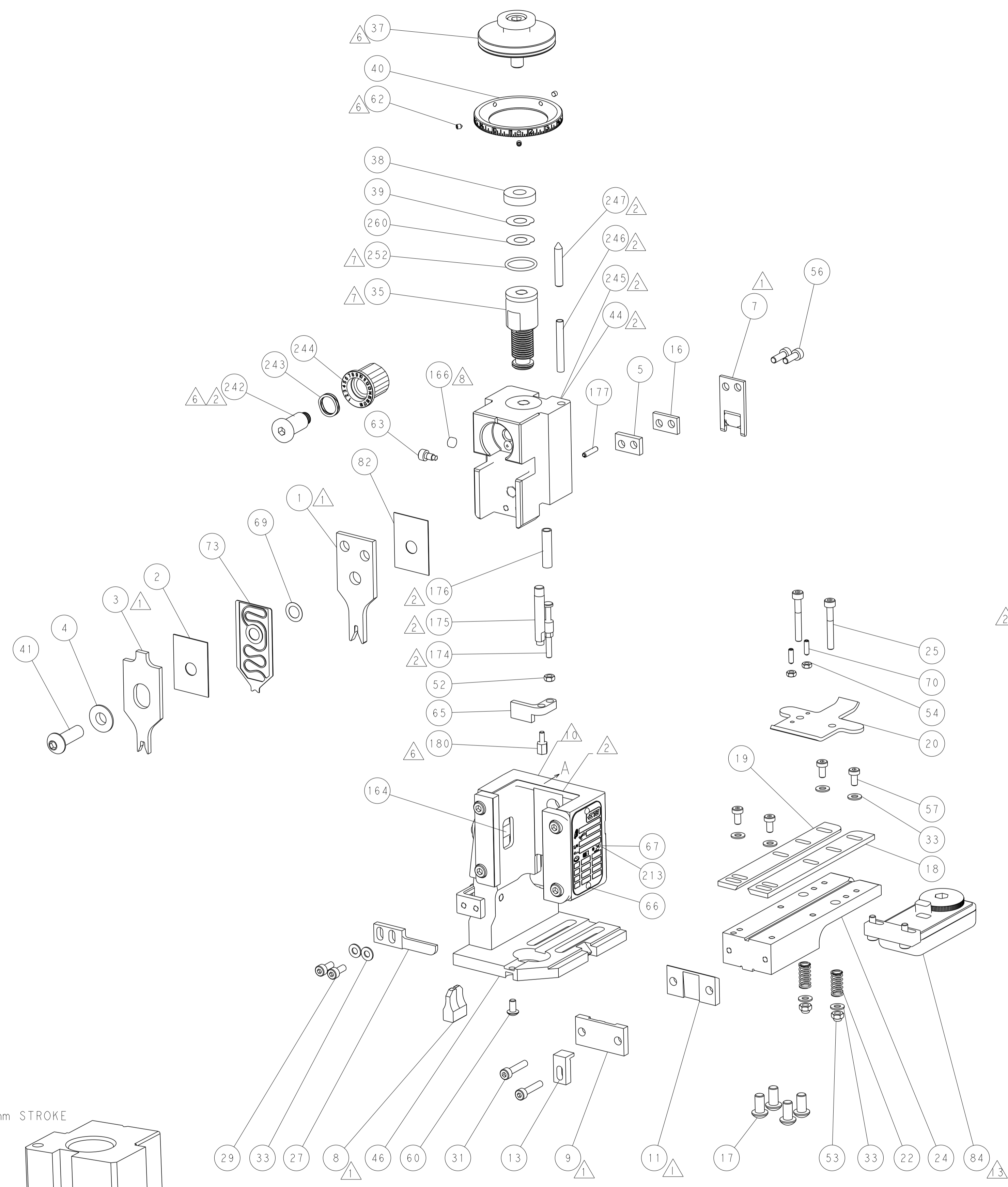
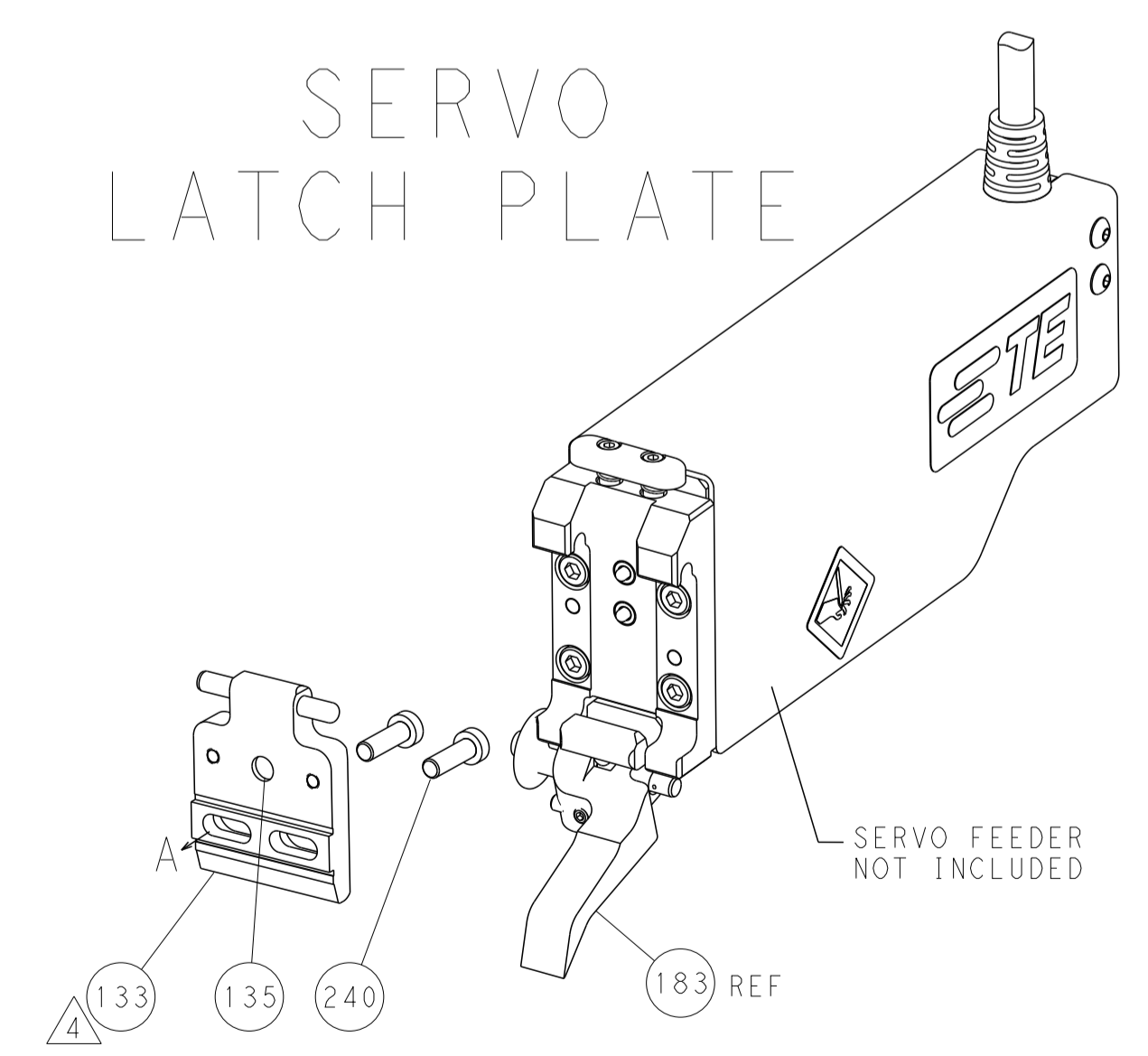
FEED TYPE
MECHANICAL



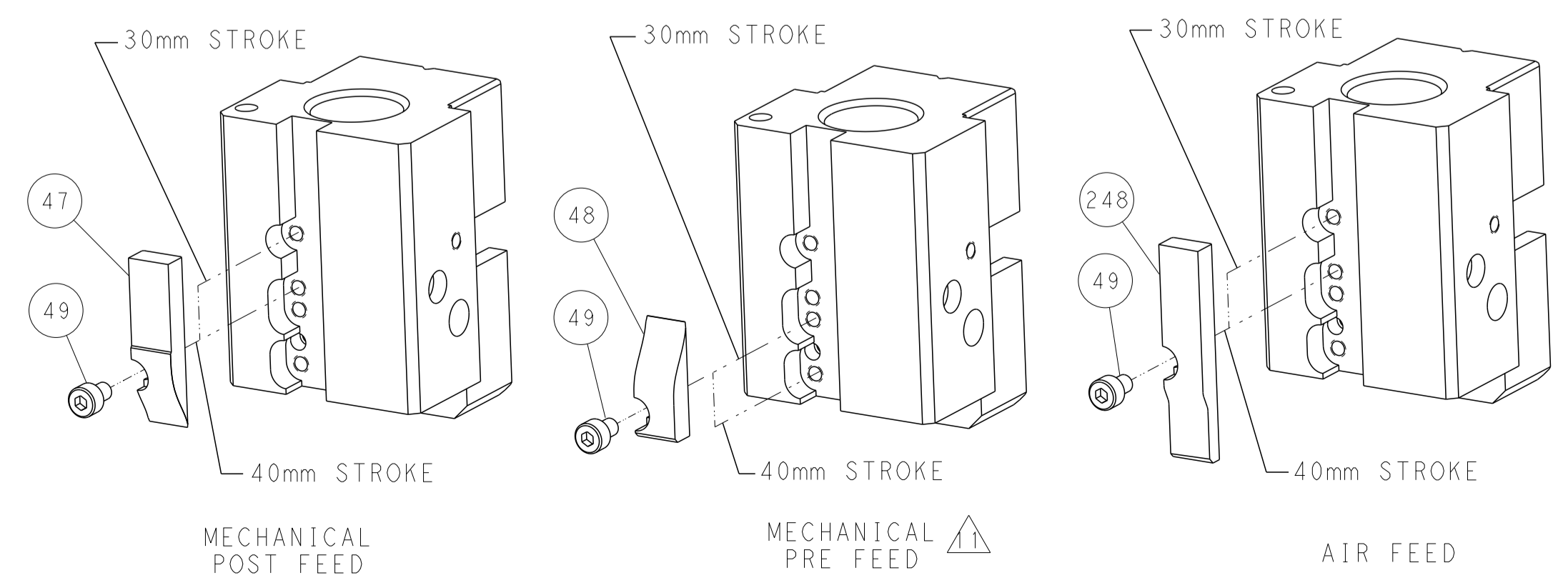
PNEUMATIC



SERVO
LATCH PLATE



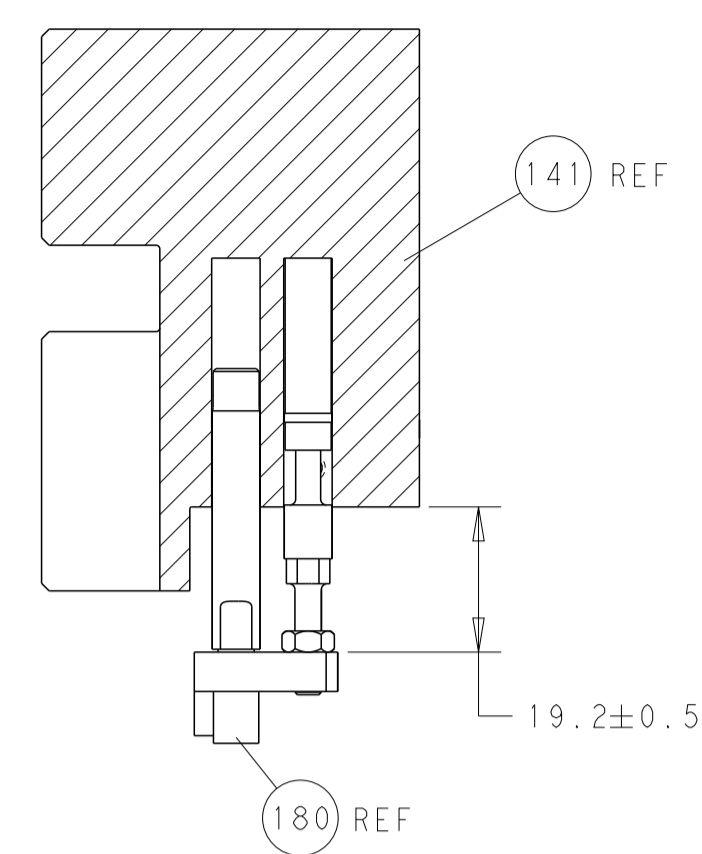
CAM POSITIONS



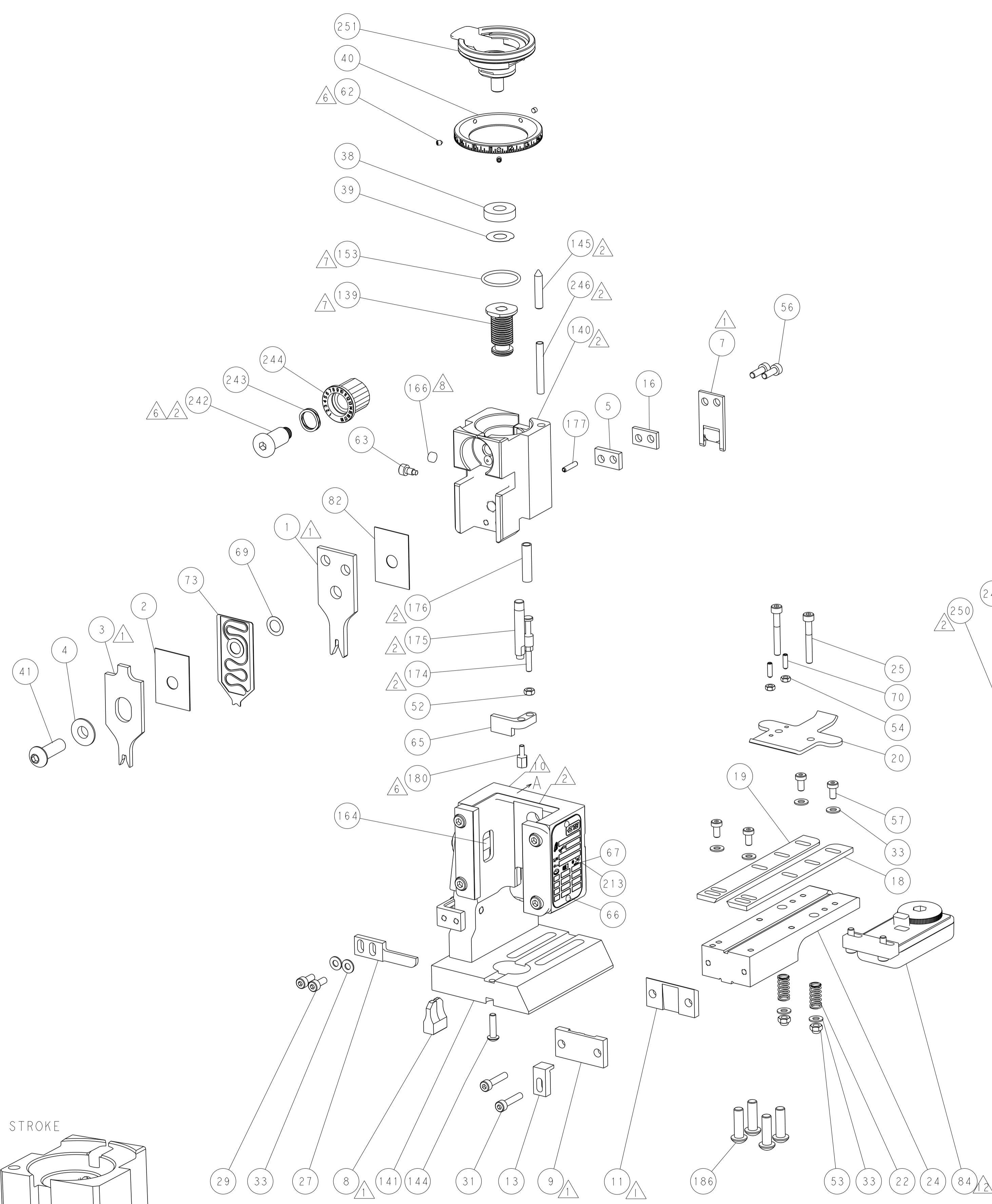
ATLANTIC VERSION
 Shown on sheets 1 of 4 & 2 of 4
 (Pacific version shown on sheets 3 of 4 & 4 of 4)

| | | | | | | | | | |
|-----------------------|--|---|--|---|--|---|--|---|--|
| DIMENSIONS: mm | | TOLERANCES UNLESS OTHERWISE SPECIFIED: 0 PLC ± 1 PLC ± 2 PLC ± 3 PLC ± 4 PLC ± ANGLES ± FINISH | | DWN K. HUANG 22DEC2017 CHK L. ZHANG 22DEC2017 APVD L. ZHANG 22DEC2017 PRODUCT SPEC APPLICATION SPEC WEIGHT Customer Accessible Production Drawing | | NAME Ocean End Feed Applicator SIZE CAGE CODE DRAWING NO. A1 00779 C=2150873 SCALE 1:1 SHEET 2 OF 4 REV A | | RESTRICTED TO TE Connectivity Harrisburg, PA 17105-3608 | |
|-----------------------|--|---|--|---|--|---|--|---|--|

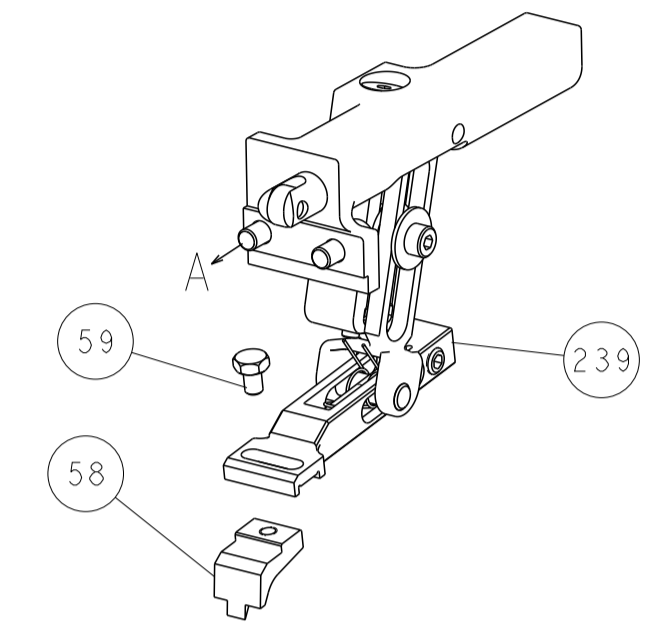
| LOC | | DIST | | REVISIONS | | | |
|-----|----|------|-----|-------------|------|-----|------|
| A | 66 | P | LTM | DESCRIPTION | DATE | DWN | APVD |
| | | - | | SEE SHEET 1 | | | |



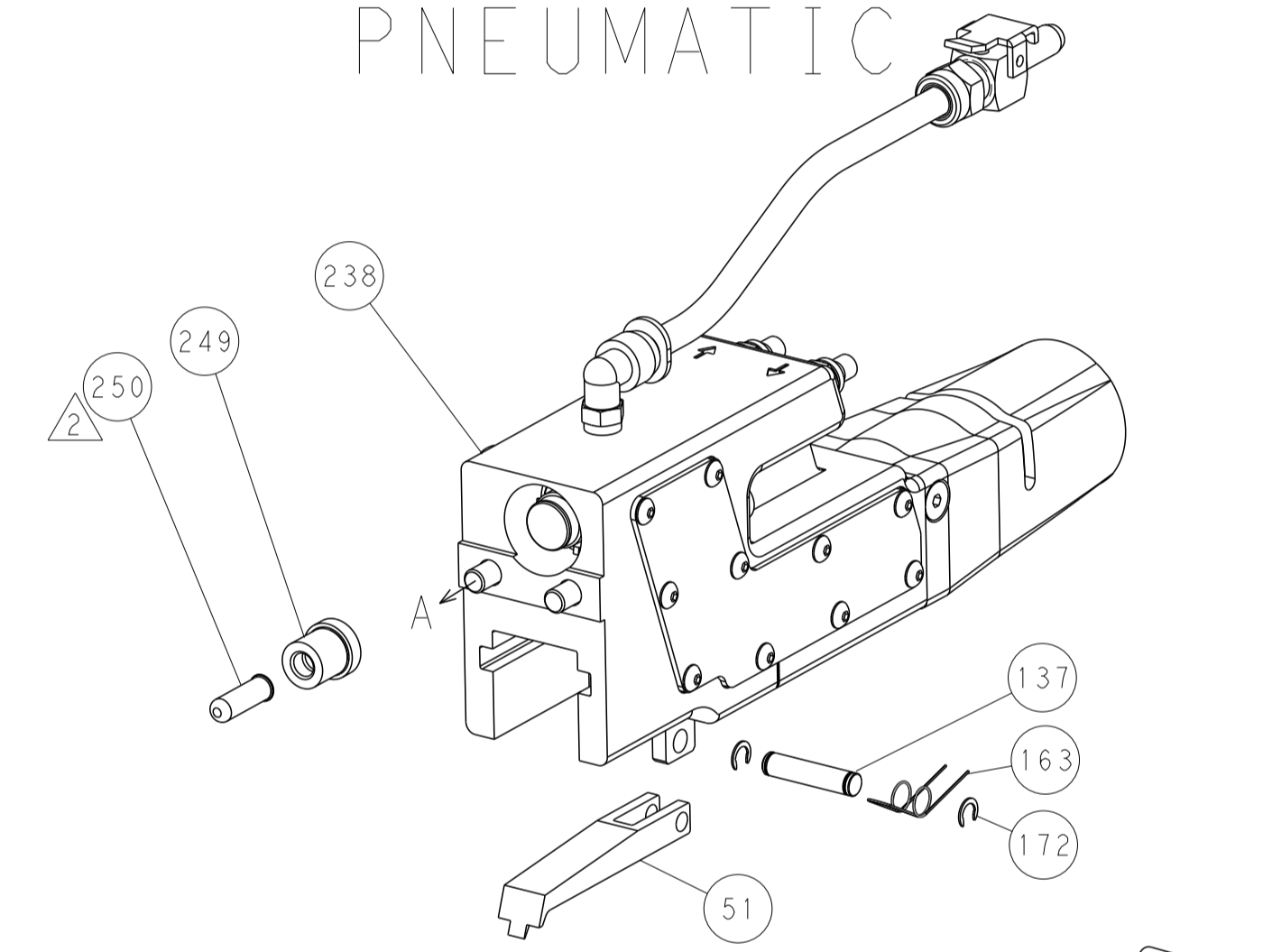
HOLDDOWN SET-UP



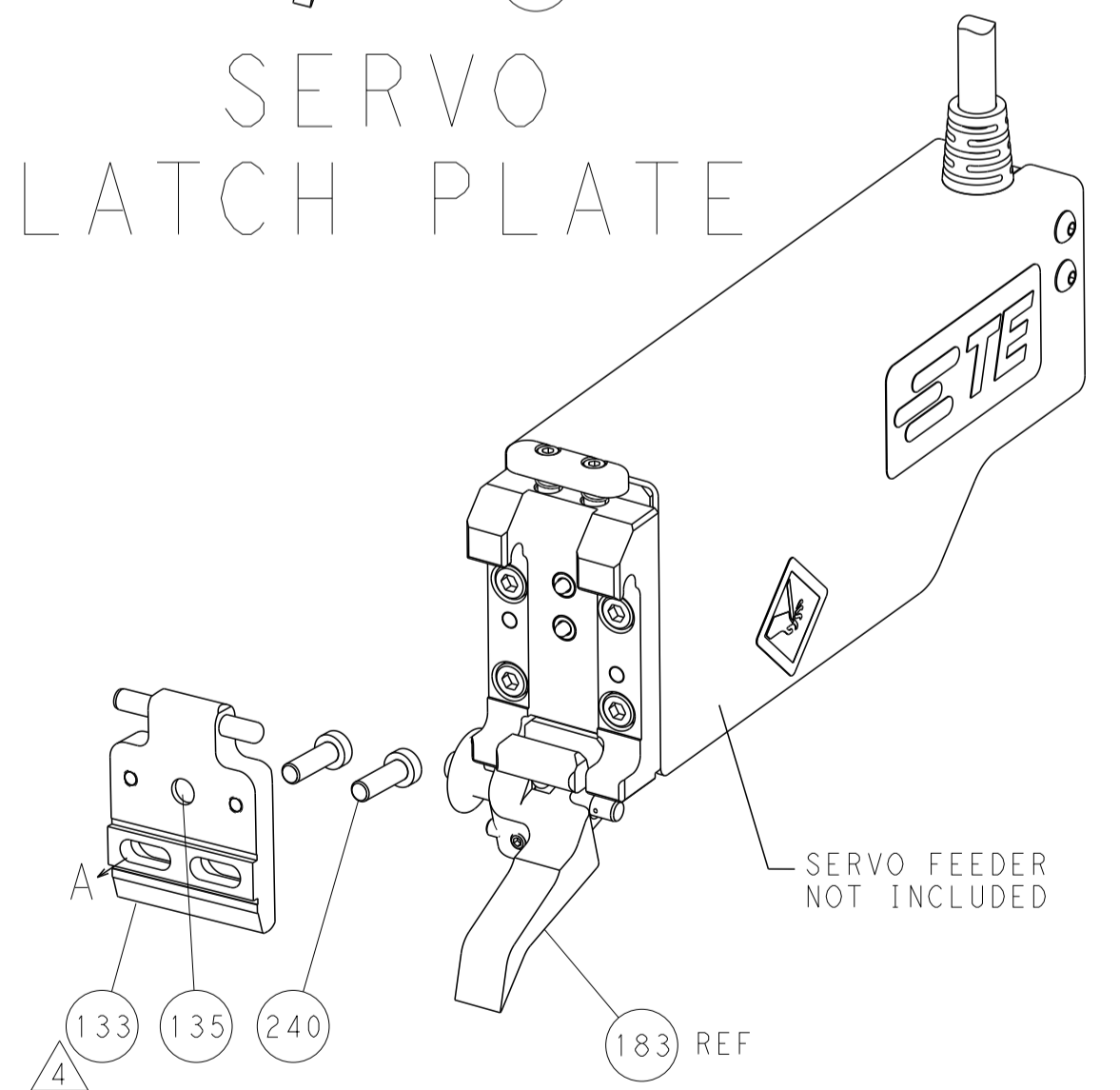
FEED TYPE
MECHANICAL



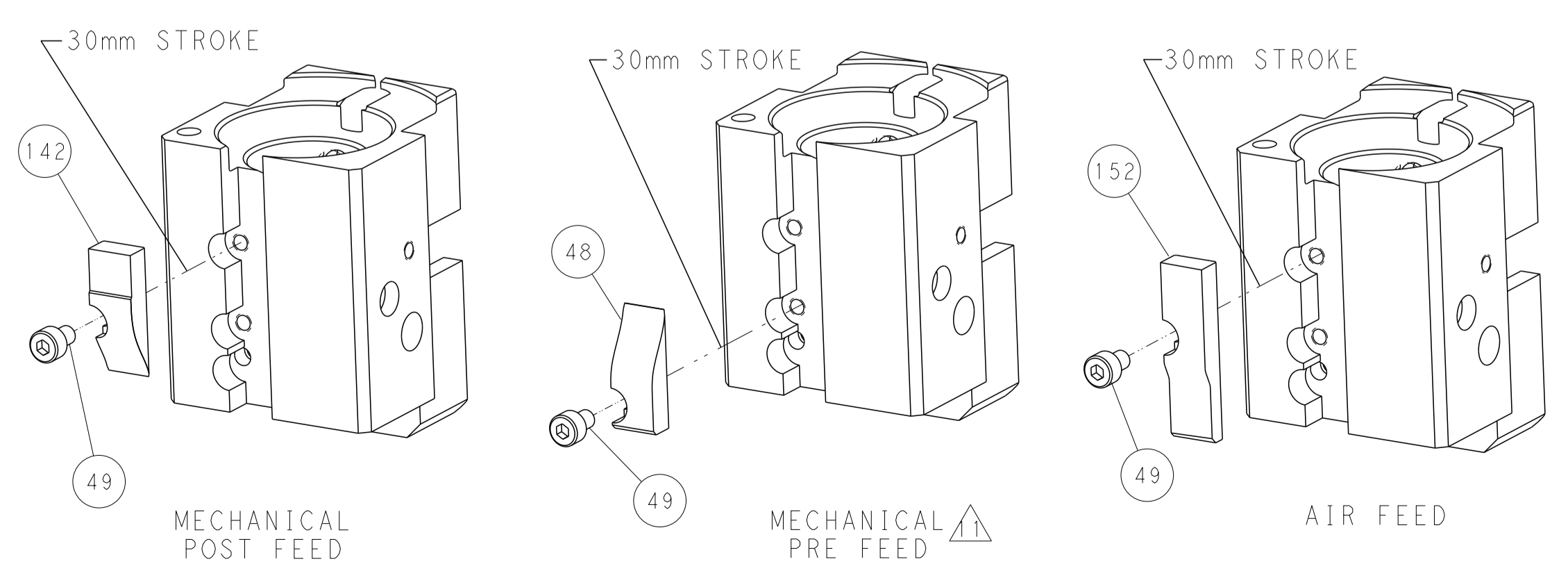
PNEUMATIC



SERVO LATCH PLATE



CAM POSITIONS



PACIFIC VERSION
 Shown on sheets 3 of 4 & 4 of 4
 (Atlantic version shown on sheets 1 of 4 & 2 of 4)

| | | | | | | | |
|--|----------|--|---------|------------------------|-------------------------|---|----------------------|
| DIMENSIONS: | | TOLERANCES UNLESS OTHERWISE SPECIFIED: | | DWN H. HUANG 22DEC2017 | | STE TE Connectivity Harrisburg, PA 17105-3608 | |
| mm | 0 PLC ± | 1 PLC ± | 2 PLC ± | 3 PLC ± | 4 PLC ± | NAME | |
| | ANGLES ± | FINISH | | CHK L. ZHANG 22DEC2017 | APVD L. ZHANG 22DEC2017 | PRODUCT SPEC | |
| MATERIAL | | | | APPLICATION SPEC | | SIZE | CAGE CODE DRAWING NO |
| | | | | WEIGHT | | A1 | 00779 C=2150873 |
| Customer Accessible Production Drawing | | | | SCALE | 1:1 | SHEET | 4 OF 4 REV |