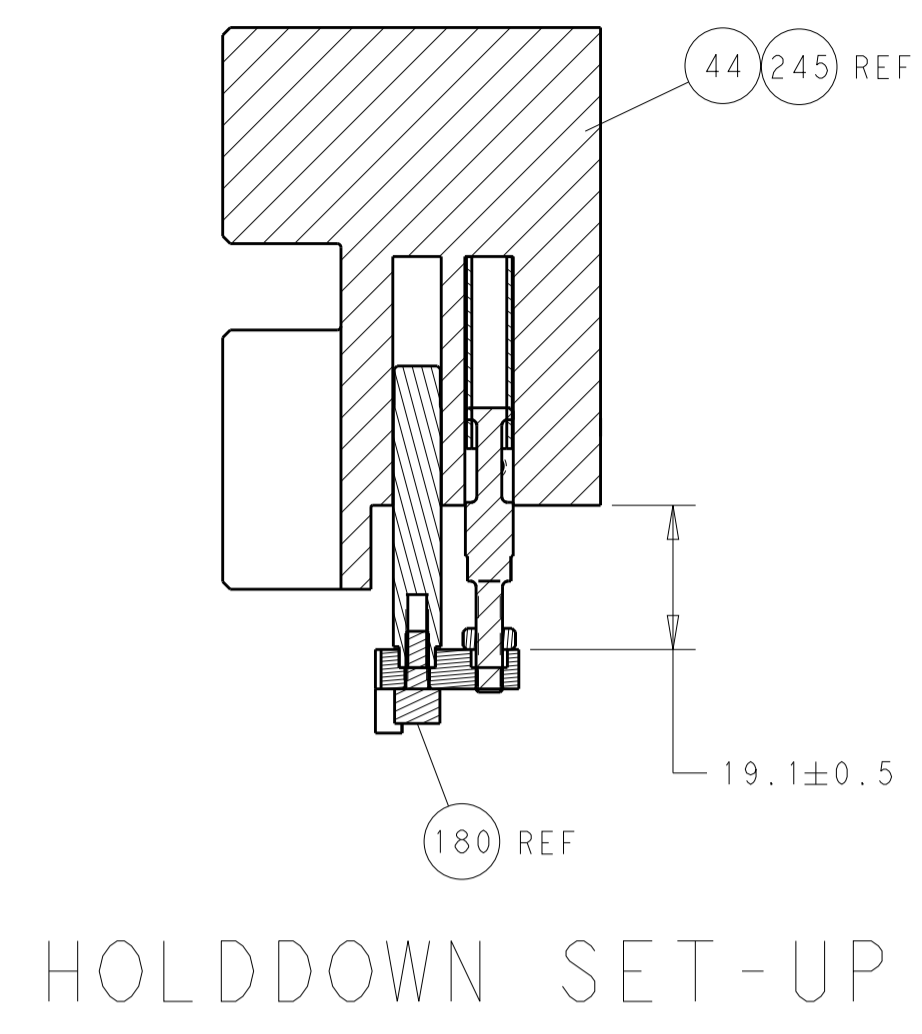
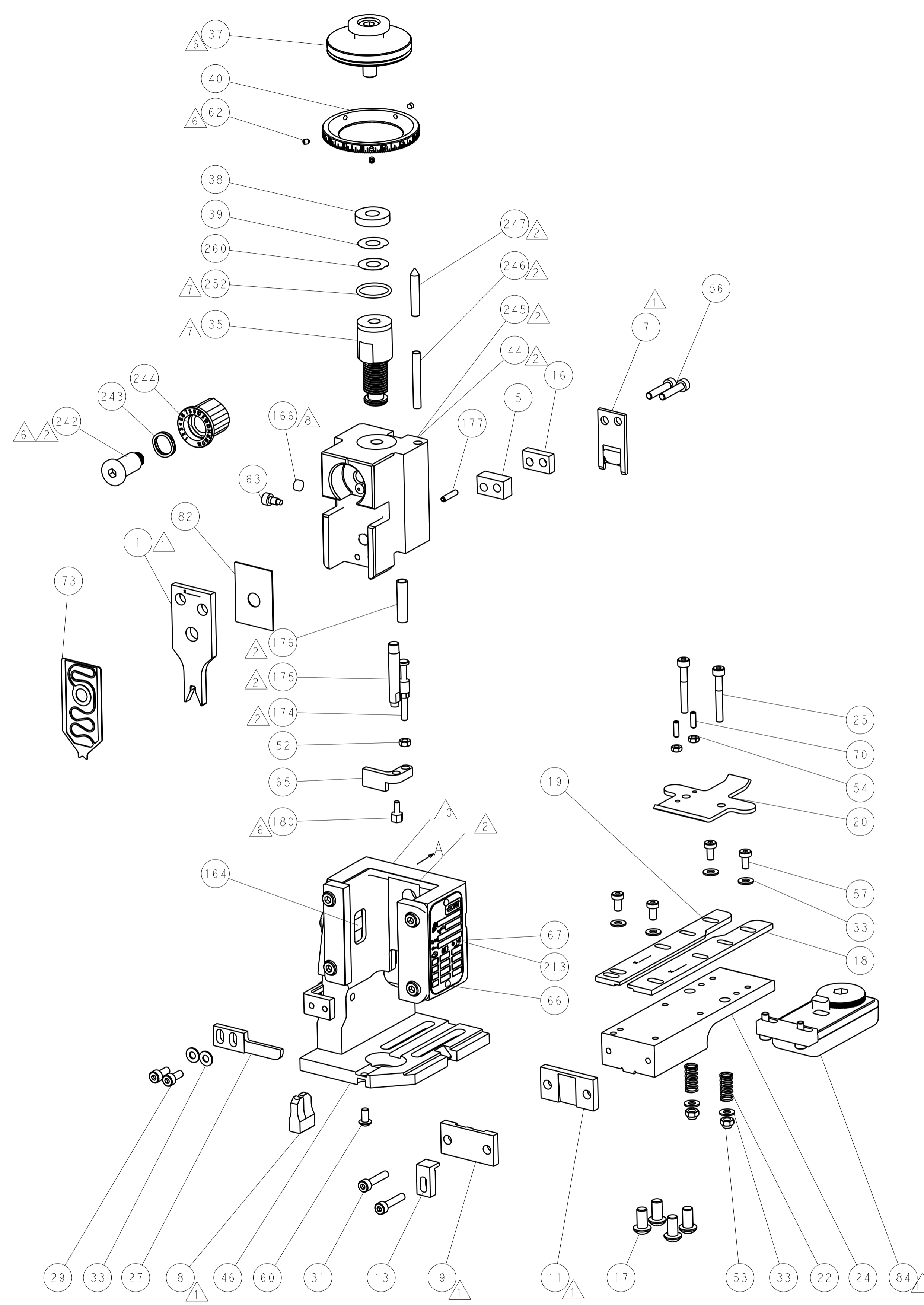
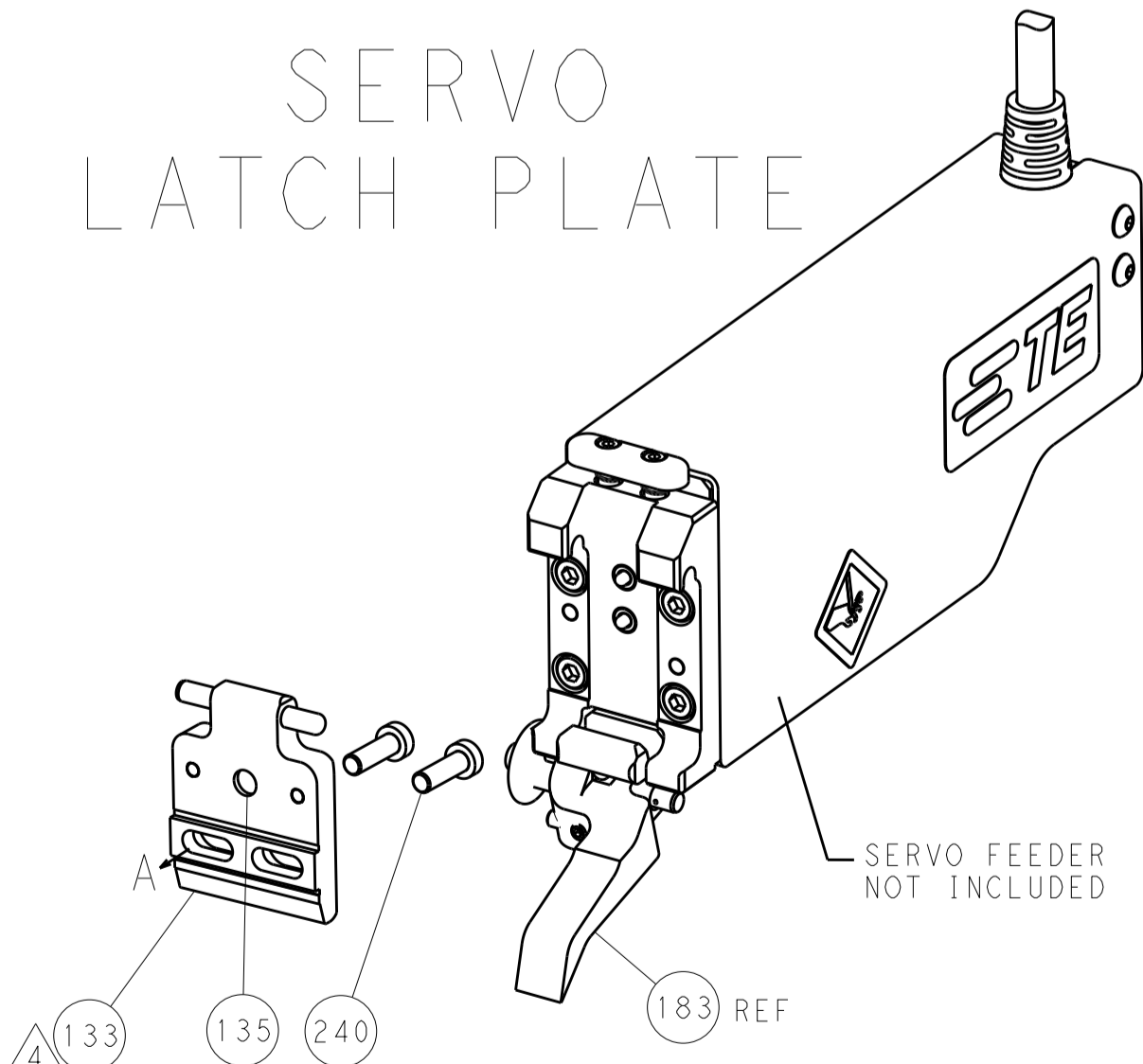
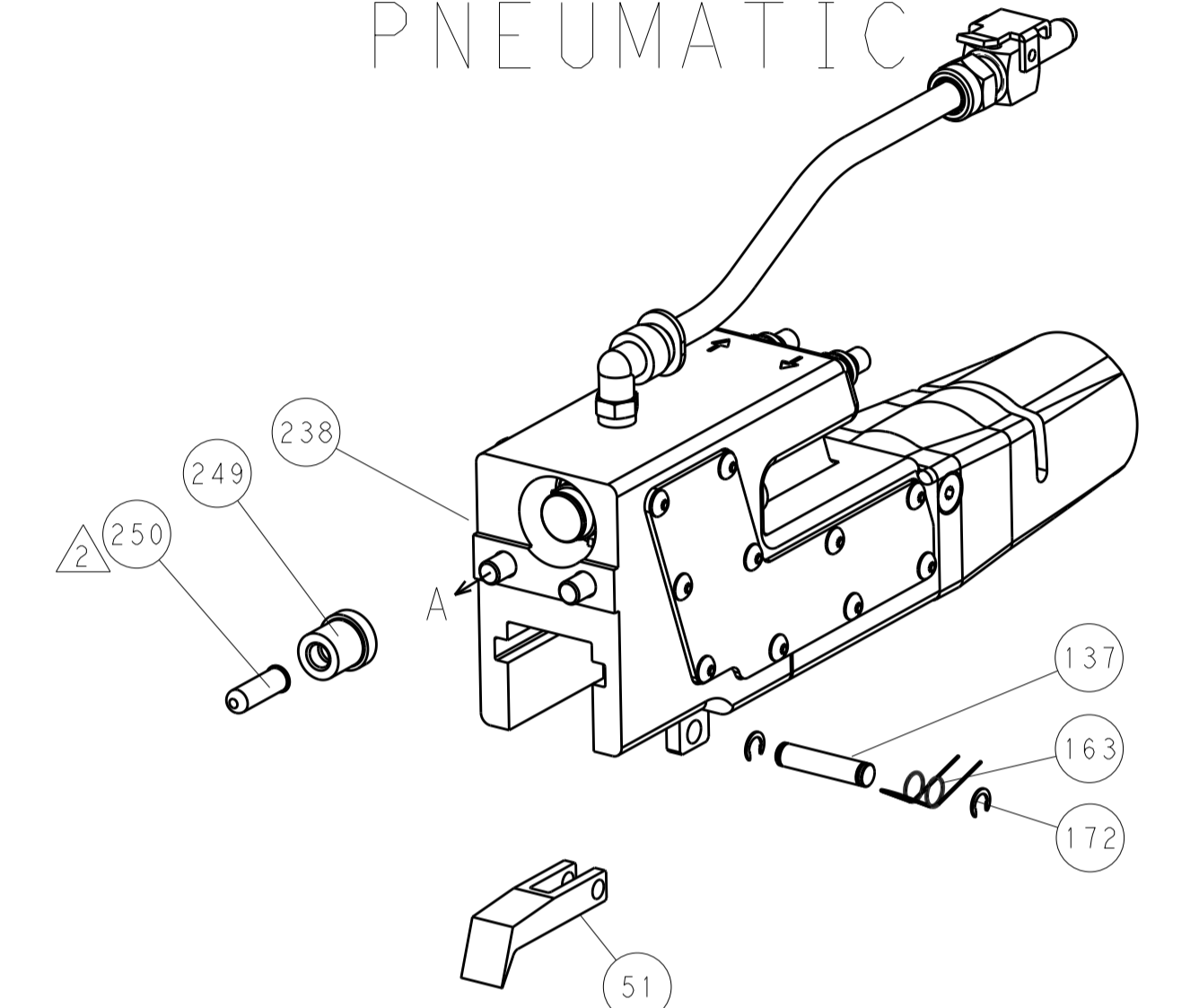


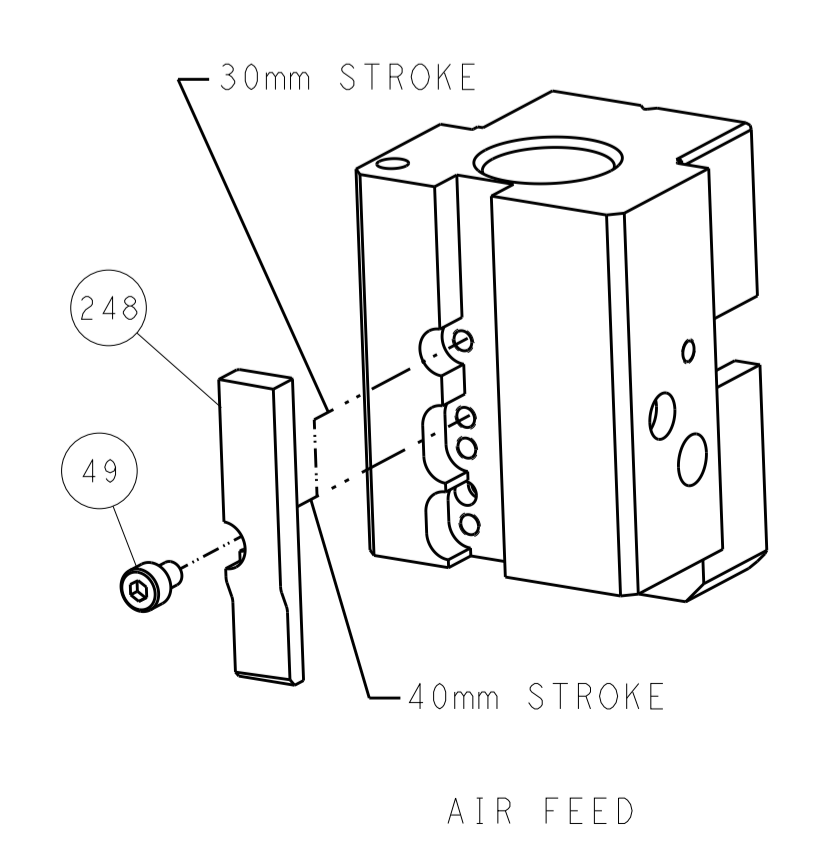
LOC	DIST	REV	DATE	BY	APPV
A	66				

FEED TYPE
 PNEUMATIC



HOLDDOWN SET-UP

CAM POSITION



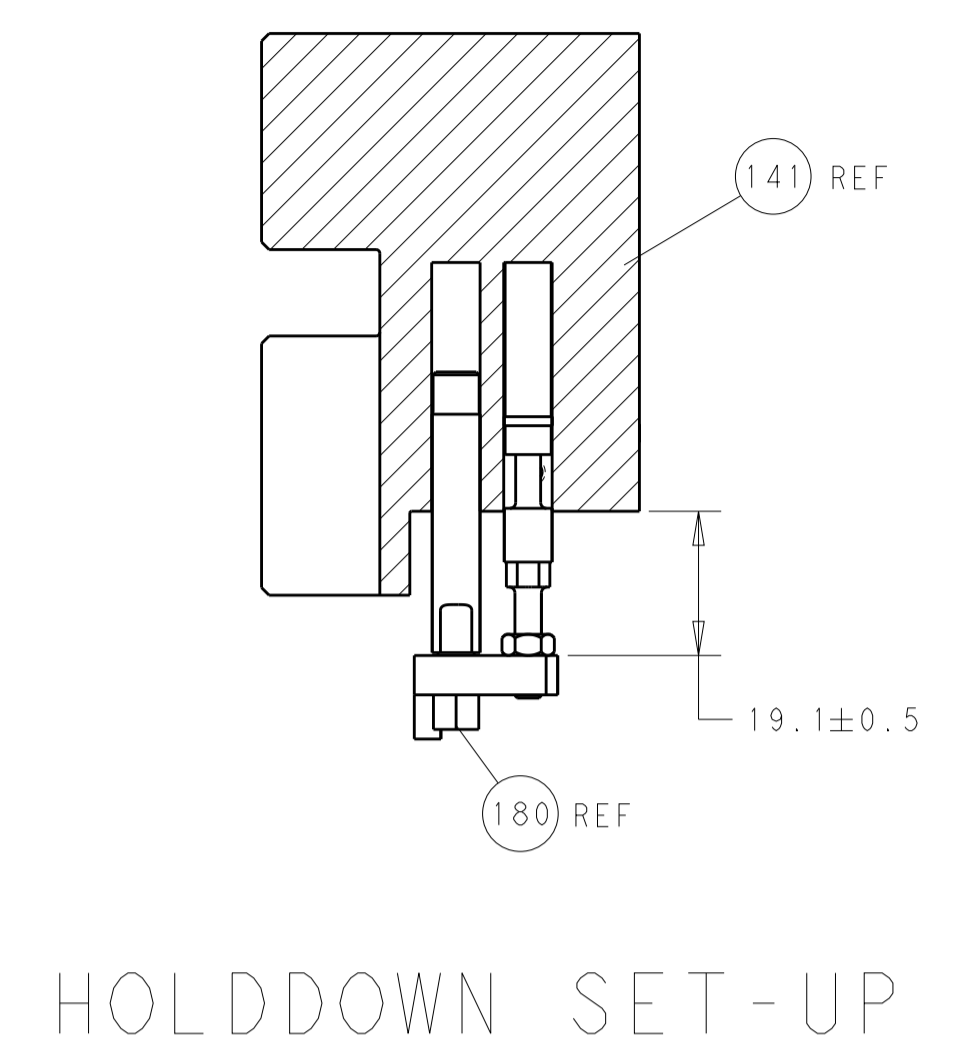
AIR FEED

ATLANTIC VERSION
 Shown on sheets 1 of 4 & 2 of 4
 (Pacific version shown on sheets 3 of 4 & 4 of 4)

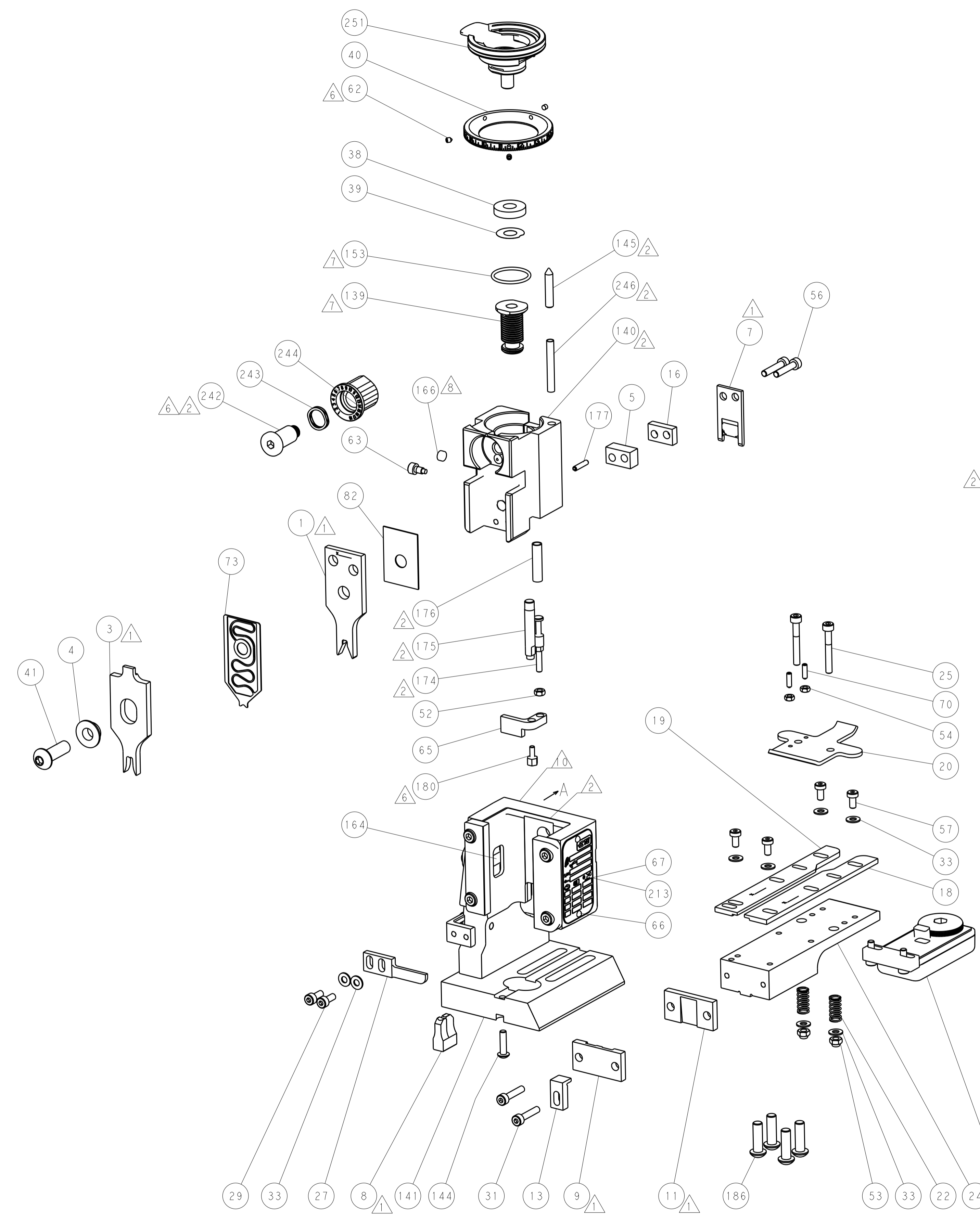
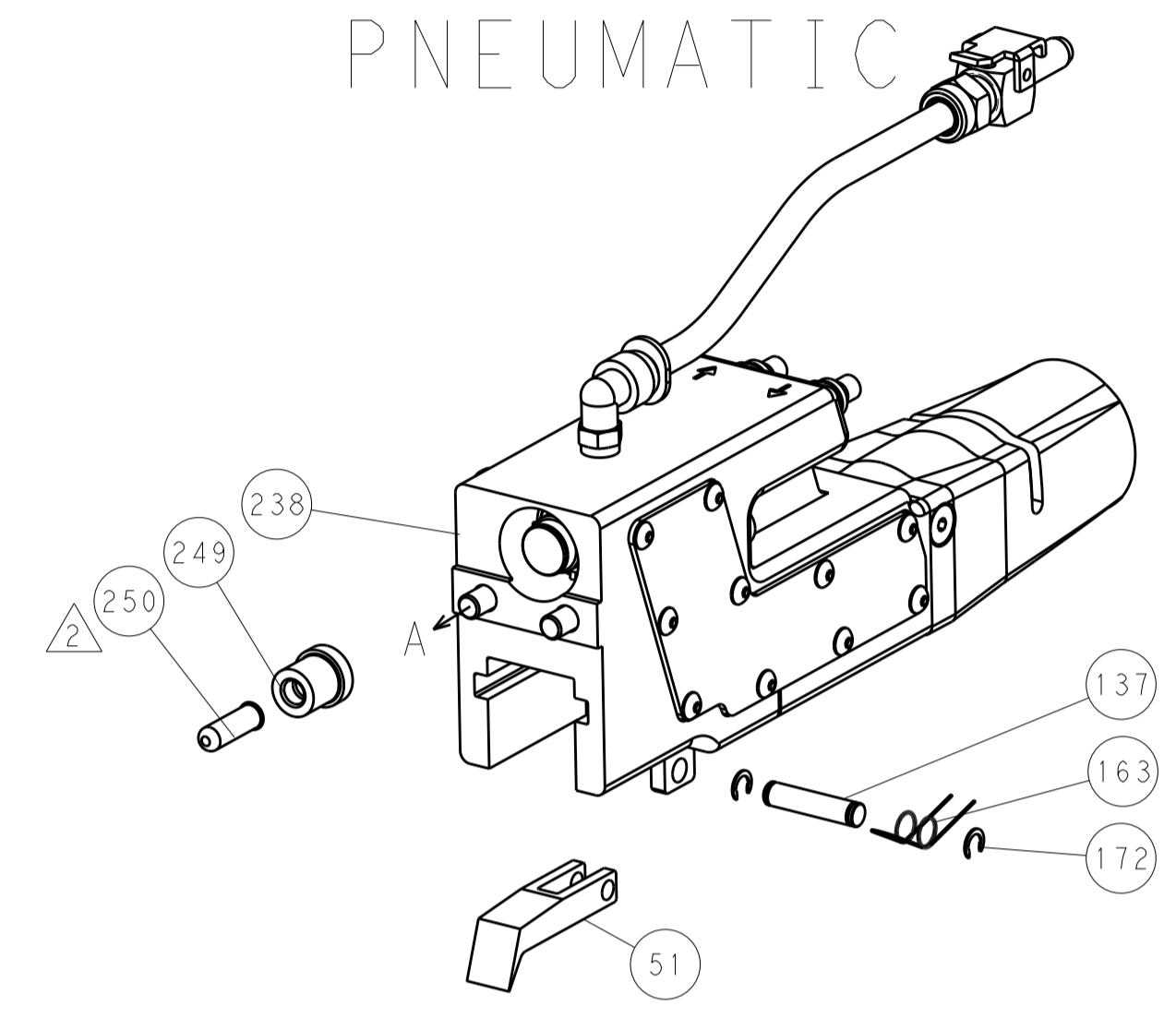
DIMENSIONS:		TOLERANCES UNLESS OTHERWISE SPECIFIED:		DWG		REV	
mm	0 PLC	±		K. HUANG	10APR2018		
	1 PLC	±		CHK	L. ZHANG	10APR2018	
	2 PLC	±		APVD	L. ZHANG	10APR2018	
	3 PLC	±					
	4 PLC	±					
	ANGLES	±					
MATERIAL	FINISH						

NAME	TE Connectivity	DATE	10APR2018
PRODUCT SPEC		BY	L. ZHANG
APPLICATION SPEC		APPV	L. ZHANG
SIZE	CAGE CODE	DRAWING NO	RESTRICTED TO
A1	00779	©=2150906	
Customer Accessible Production Drawing	SCALE	1:1	SHEET 2 OF 4 REV A

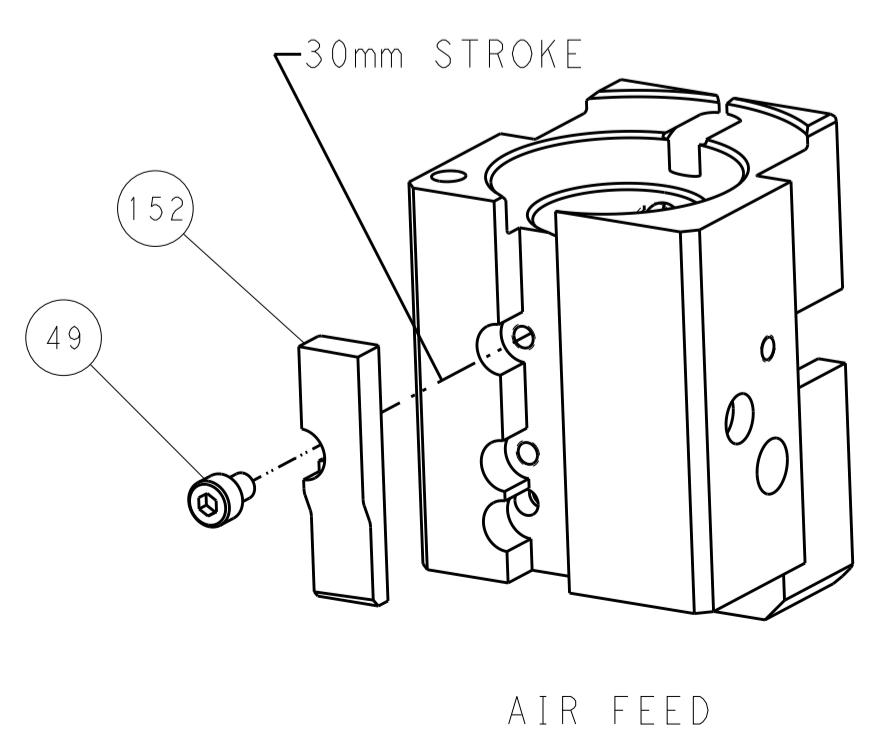
LOC	DIST	REV	DATE	BY	APPV
A	66				
REVISIONS			DESCRIPTION	DATE	BY
			SEE SHEET 1		



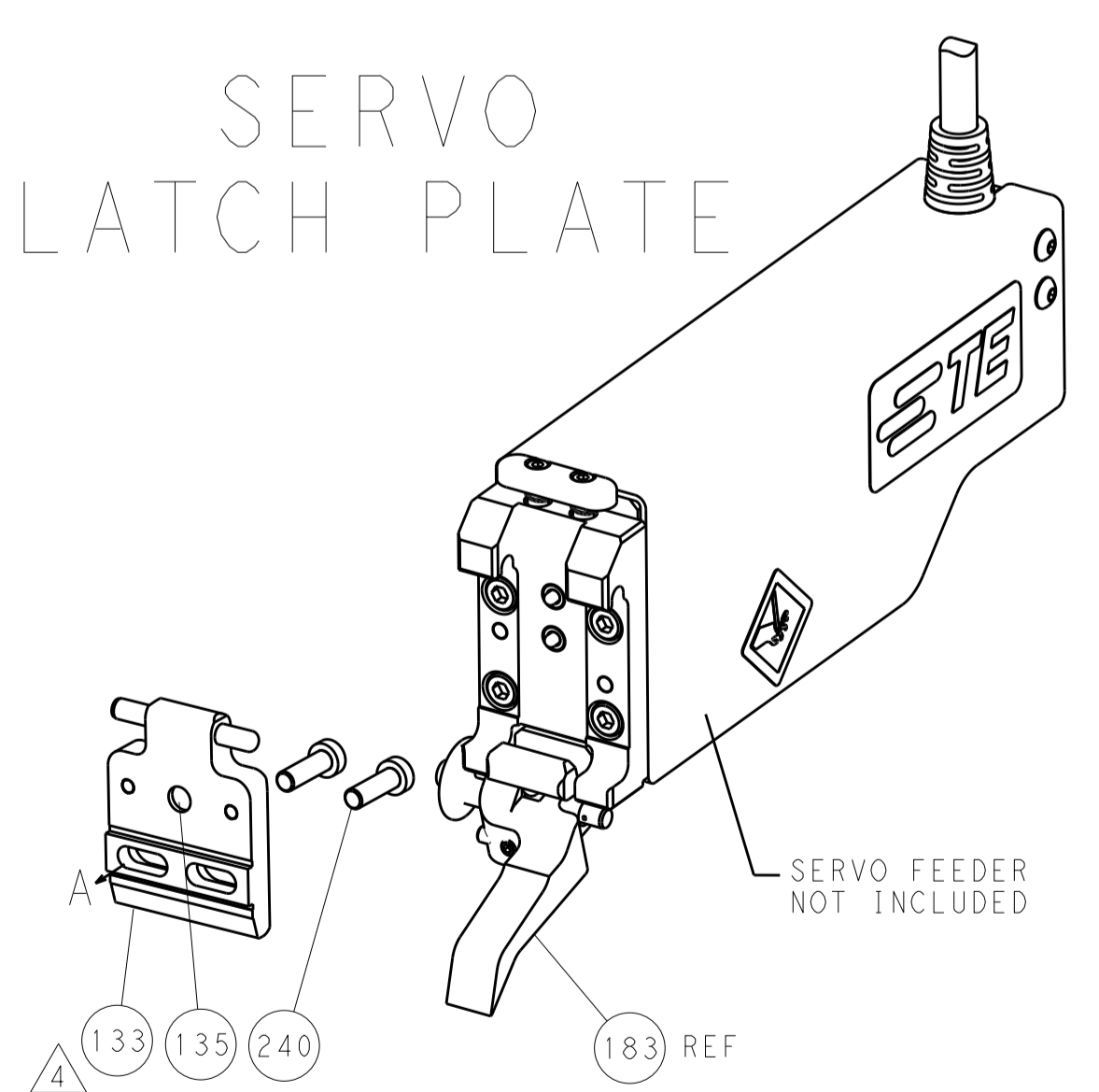
FEED TYPE
PNEUMATIC



CAM POSITION



SERVO LATCH PLATE



PACIFIC VERSION
 Shown on sheets 3 of 4 & 4 of 4
 (Atlantic version shown on sheets 1 of 4 & 2 of 4)

DIMENSIONS:		TOLERANCES UNLESS OTHERWISE SPECIFIED:		DWN: A. HUANG 10APR2018		STE Connectivity	
mm	0 PLC ±	1 PLC ±	2 PLC ±	3 PLC ±	4 PLC ±	5 PLC ±	TE Connectivity Harrisburg, PA 17105-3608
	ANGLES	FINISH		CHK: L. ZHANG 10APR2018	NAME: Ocean End Feed Applicator		
MATERIAL:		WEIGHT:		APVD: L. ZHANG 10APR2018	SIZE: CAGE CODE: DRAWING NO: A1 00779 ©=2150906		RESTRICTED TO:
Customer Accessible Production Drawing				SCALE: 1:1	SHEET: 4	OF: 4	REV: A