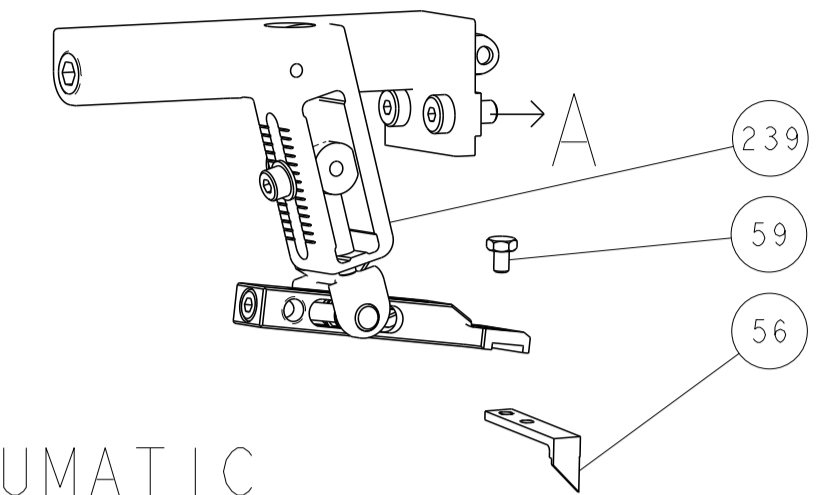


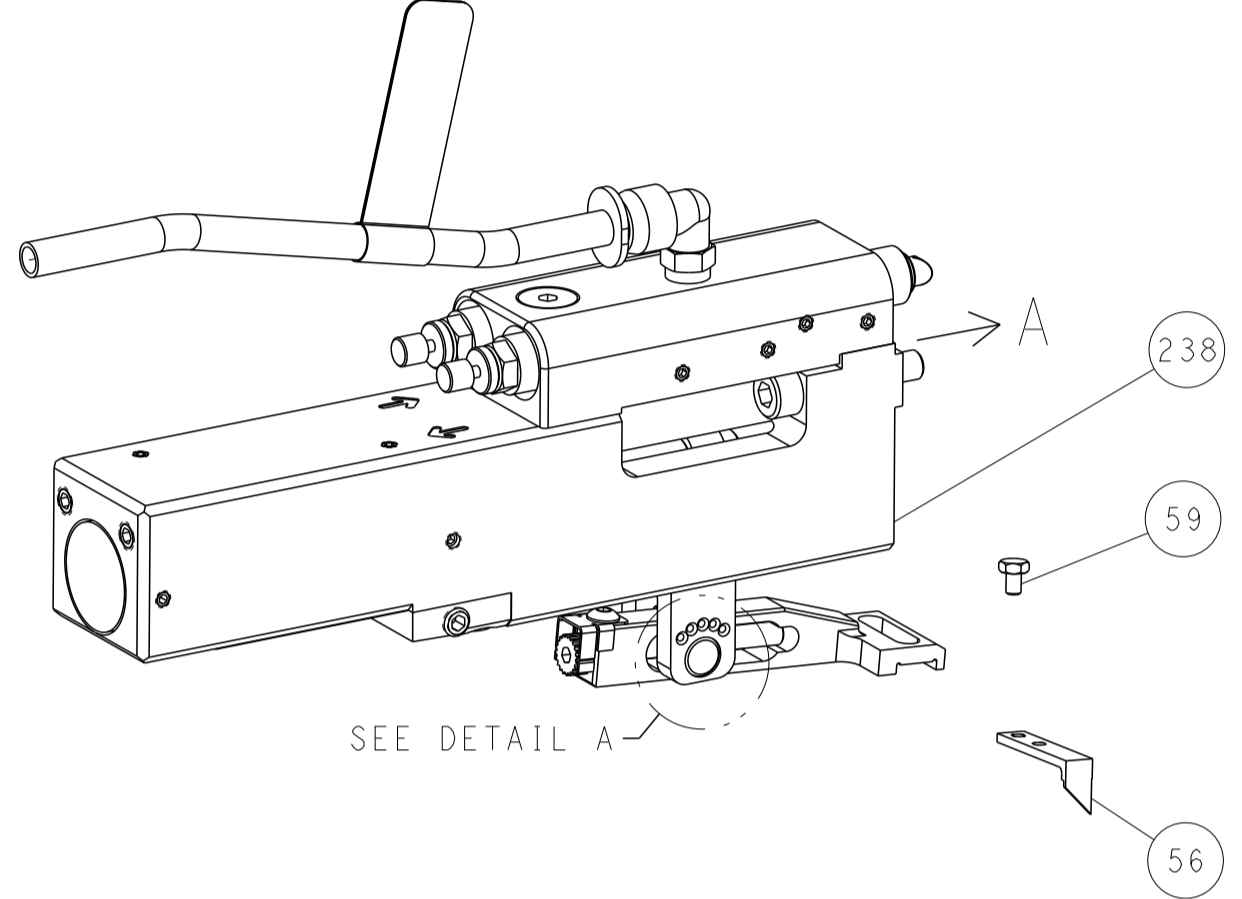


LOC	DIST	REVISIONS					
		P	LTN	DESCRIPTION	DATE	DWN	APVD
A	66	-	-	SEE SHEET 1	-	-	-

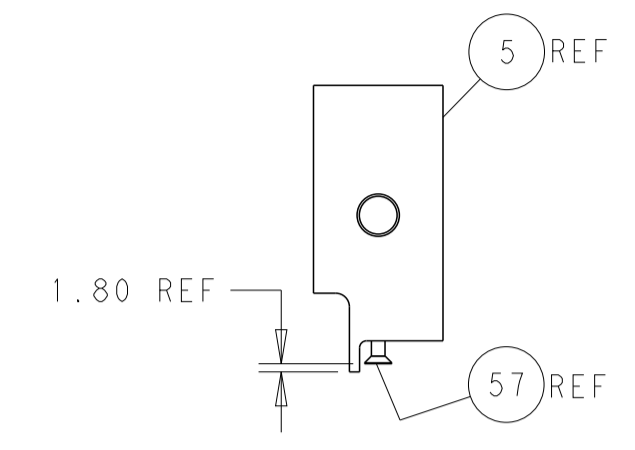
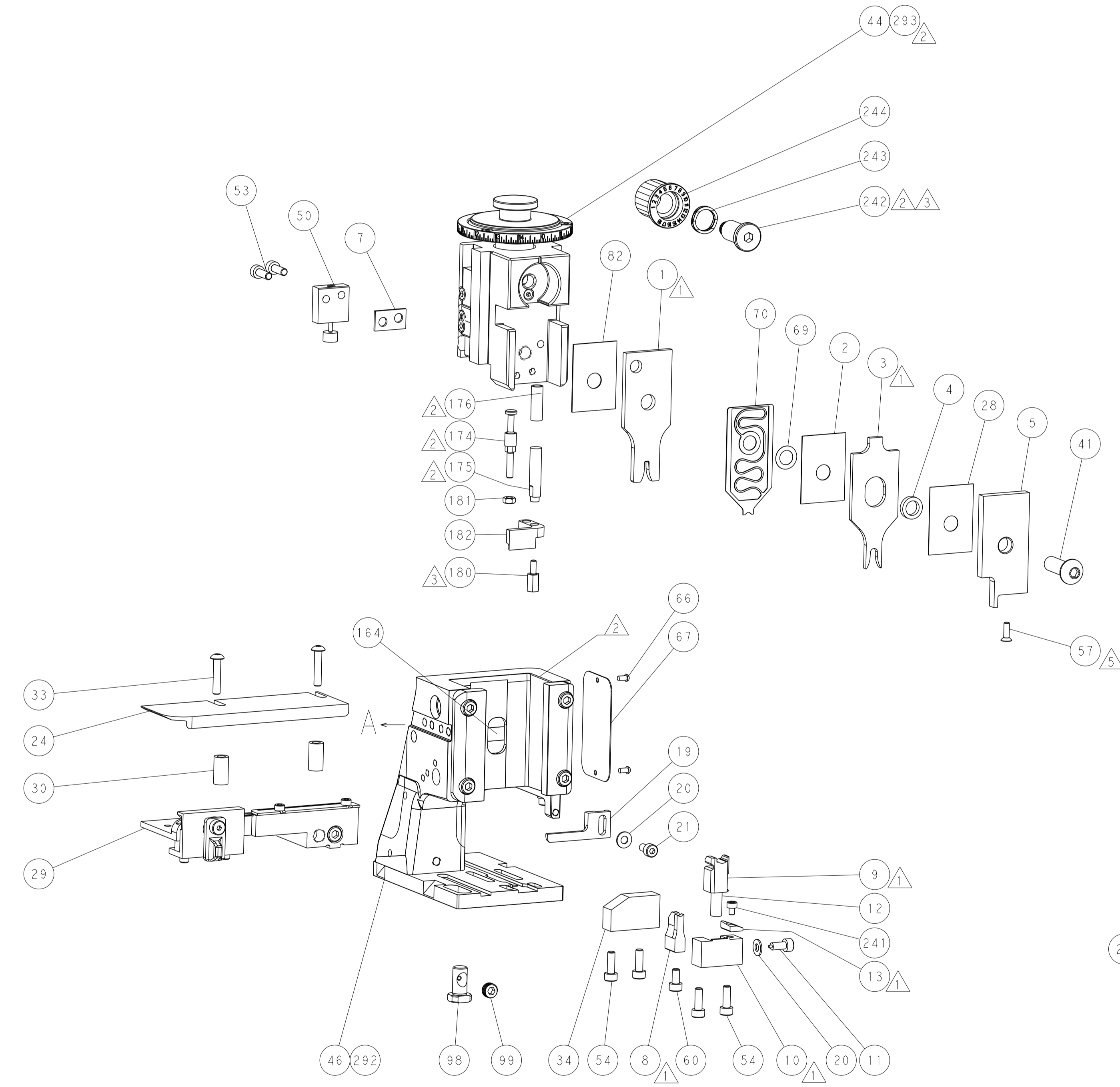
# FEED TYPE MECHANICAL



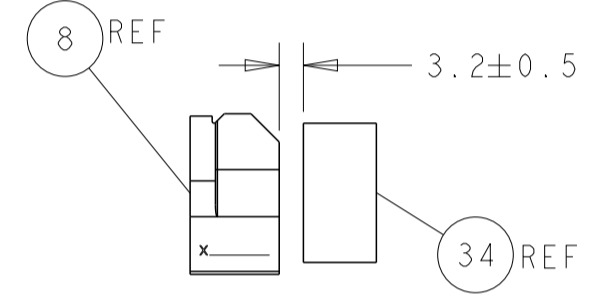
## PNEUMATIC



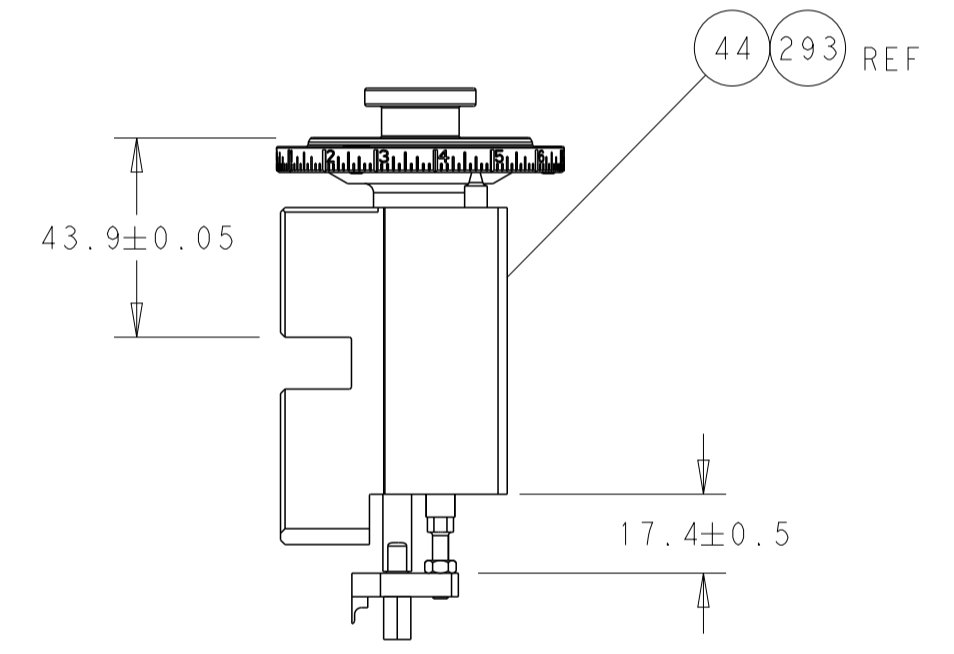
## FEED SPRING SETTING POSITION (SHOWN FROM REAR SIDE)



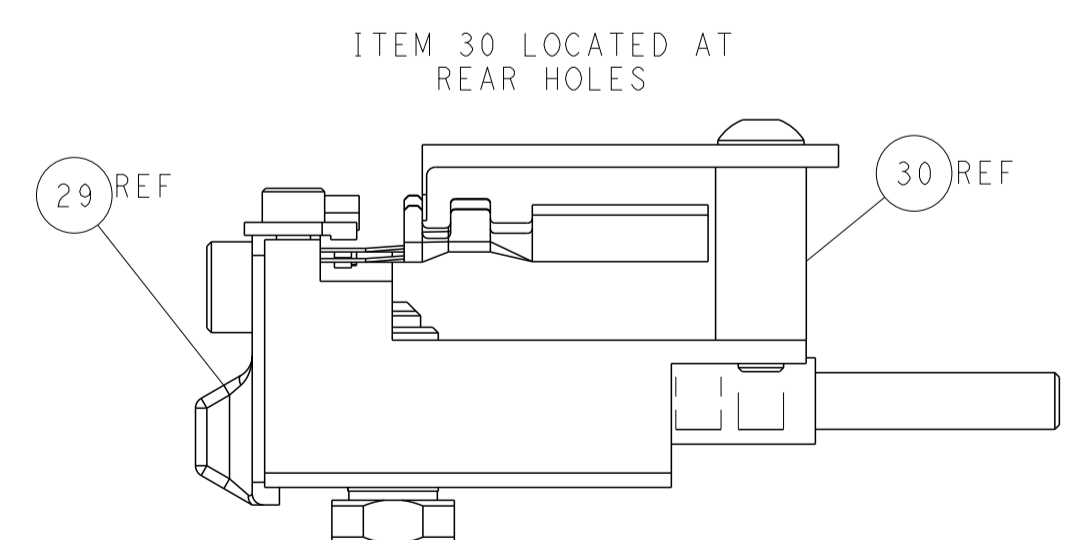
SHEAR DEPRESSOR DETAIL



TERMINAL SUPPORT LOCATION

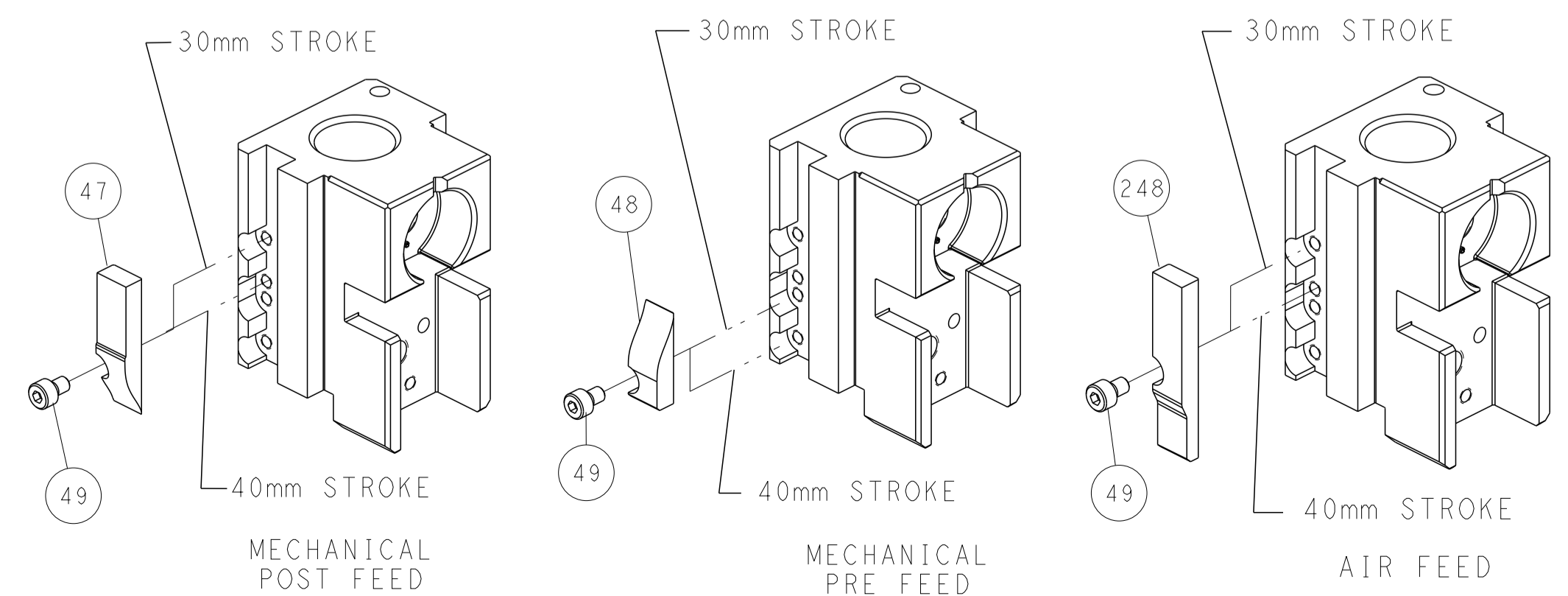


RAM AND HOLD DOWN SET-UP



ITEM 30 LOCATED AT REAR HOLES

# CAM POSITIONS



DIMENSIONS: mm 		TOLERANCES UNLESS OTHERWISE SPECIFIED: 0 PLC ± 1 PLC ± 2 PLC ± 3 PLC ± 4 PLC ± ANGLES ± FINISH		DWN R. HUANG 10NOV2011 CHK S. XI 10NOV2011 APVD J. CRUZ 10NOV2011 PRODUCT SPEC APPLICATION SPEC WEIGHT MATERIAL		NAME SIZE CAGE CODE DRAWING NO RESTRICTED TO	
				TE Connectivity Harrisburg, PA 17105-3608		Ocean Side Feed Applicator	
				A1 00779 C=2151260 Customer Accessible Production Drawing		SCALE 1:2 SHEET 2 OF 4 REV G2	