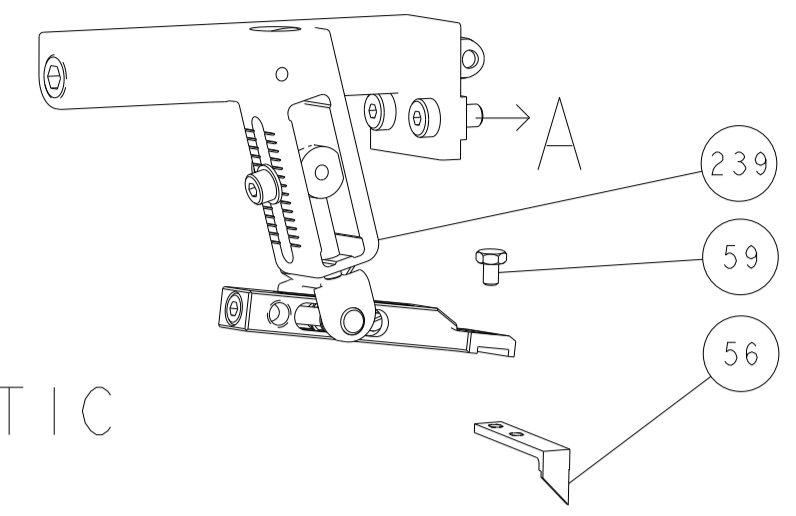


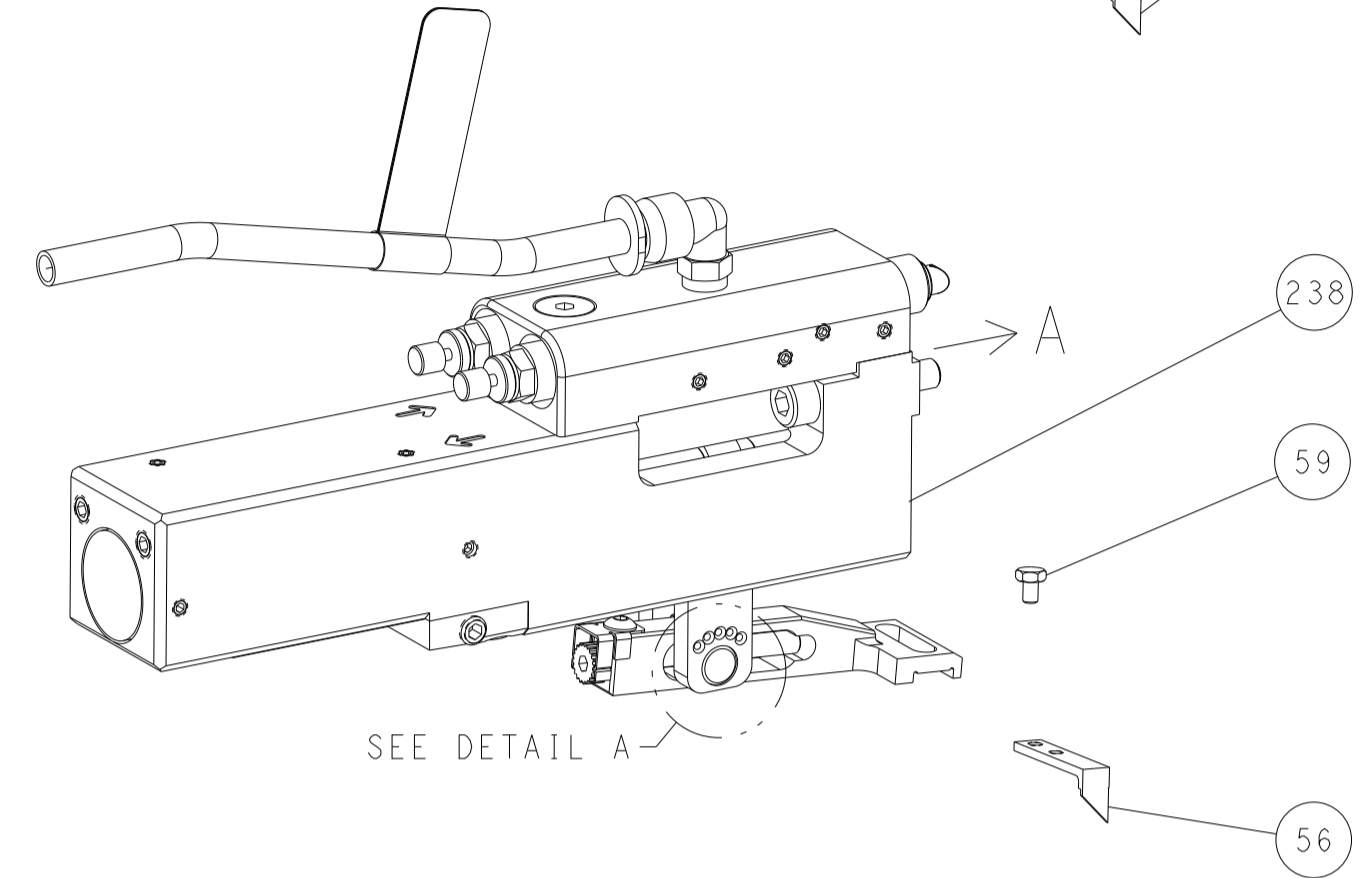


LOC		DIST		REVISIONS			
A	66	P	LTN	DESCRIPTION	DATE	DWN	APVD
		-		SEE SHEET 1			

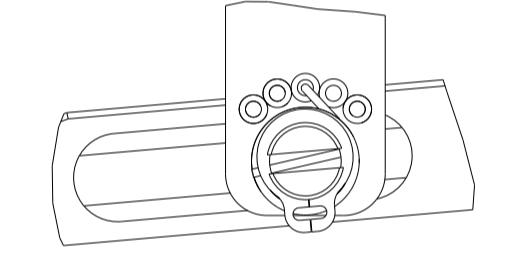
# FEED TYPE MECHANICAL



PNEUMATIC

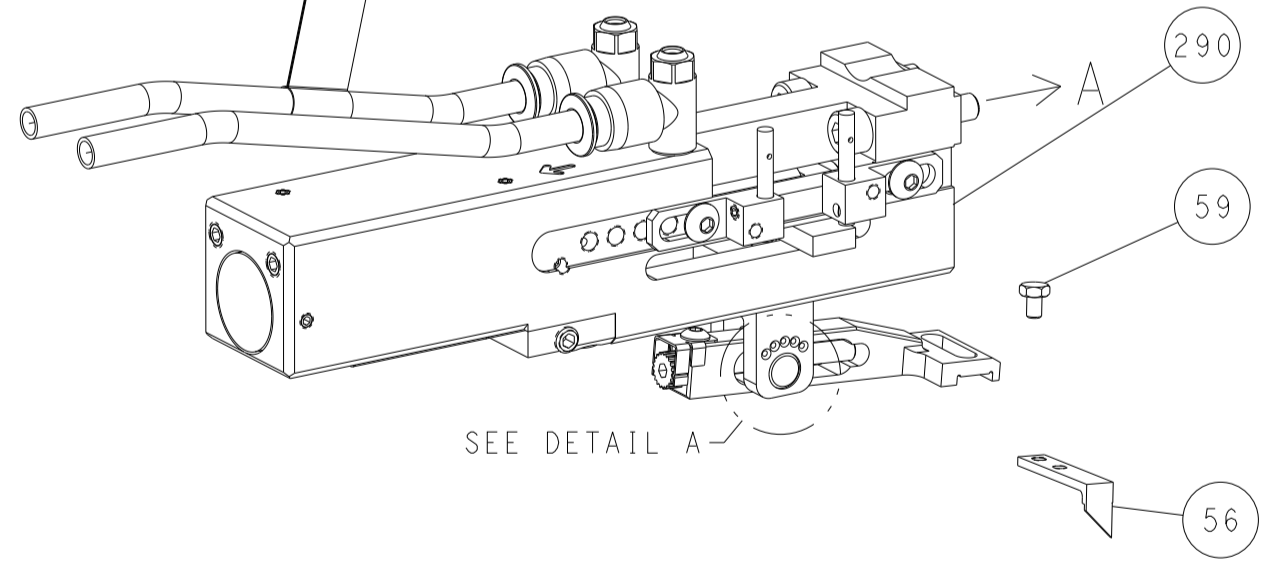


FEED SPRING SETTING POSITION (SHOWN FROM REAR SIDE)

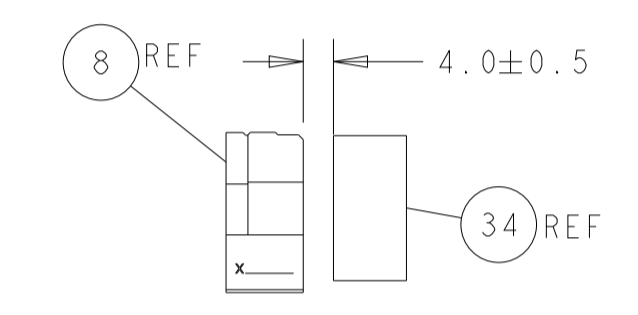
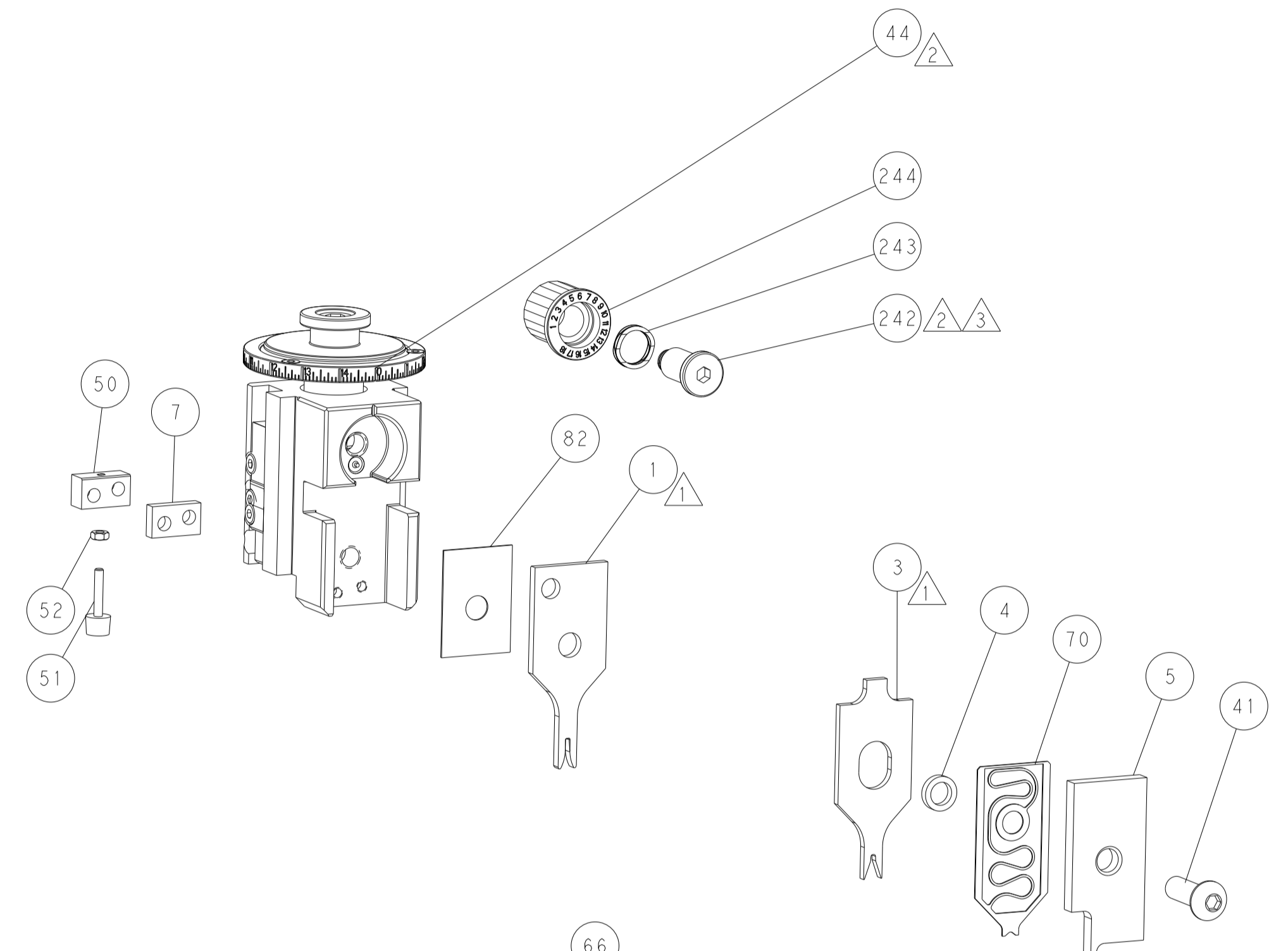
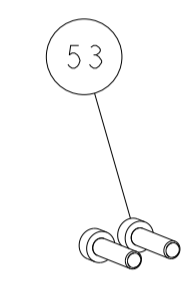
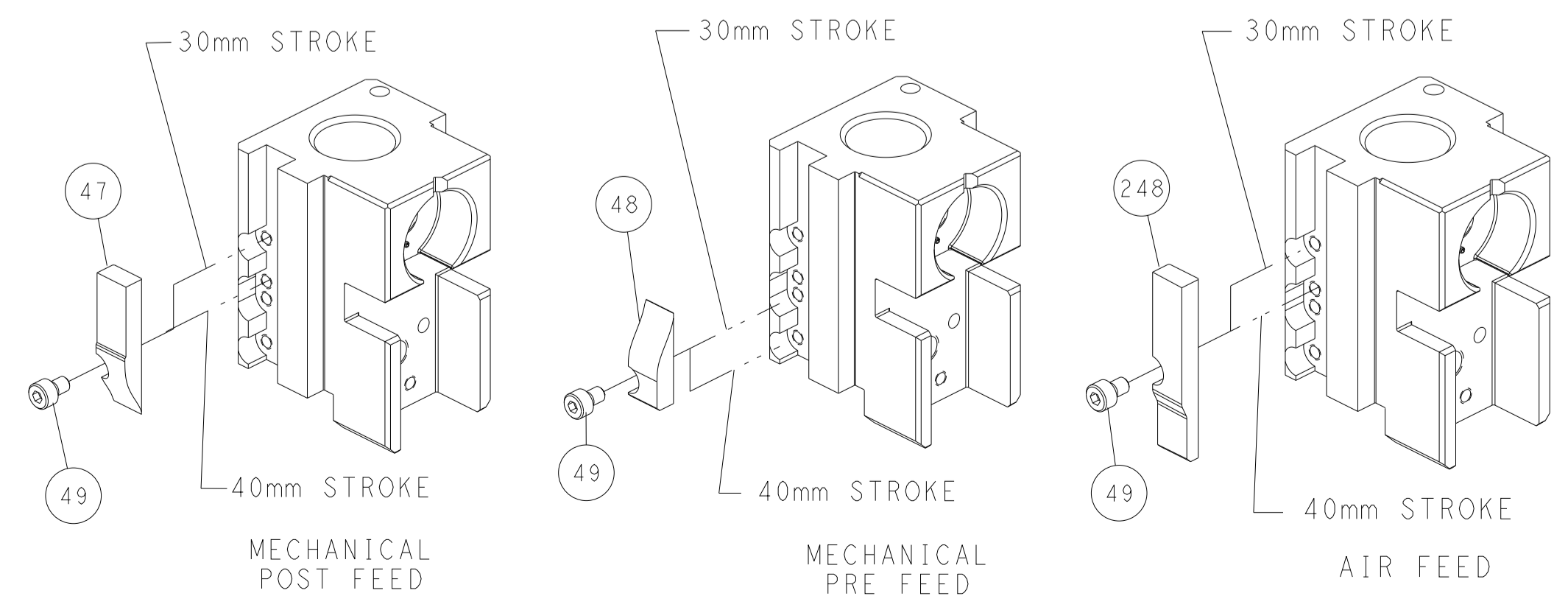


DETAIL A

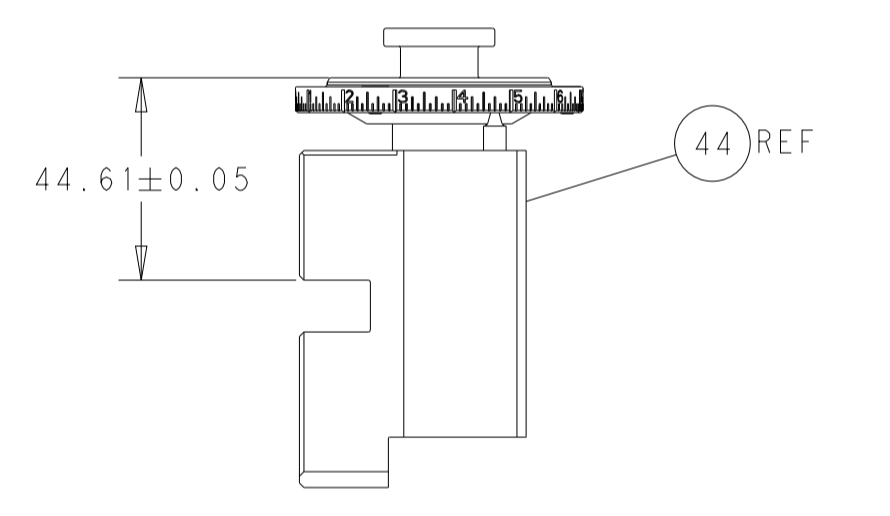
DOUBLE ACTING PNEUMATIC WITH SENSORS



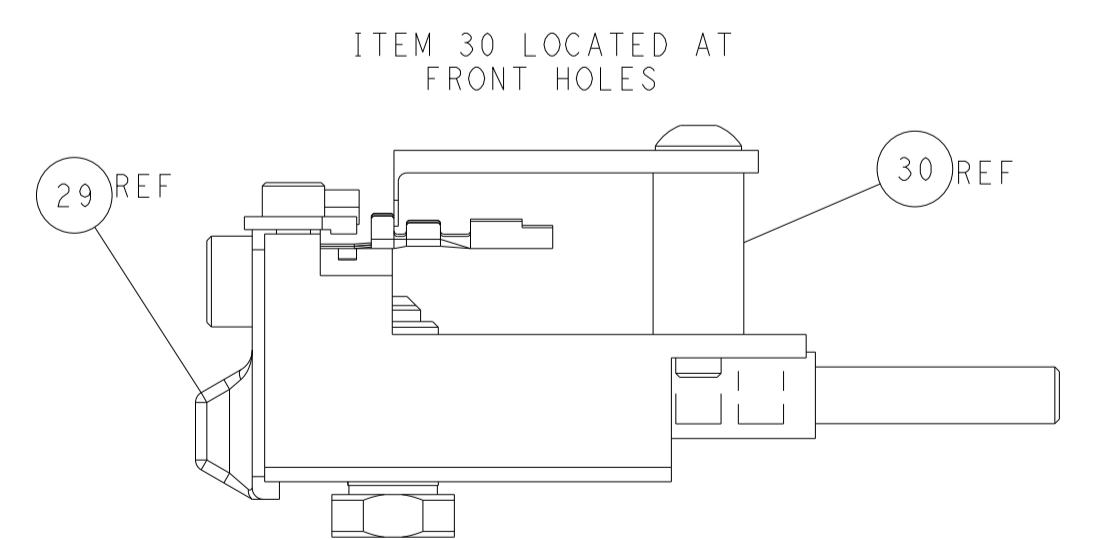
## CAM POSITIONS



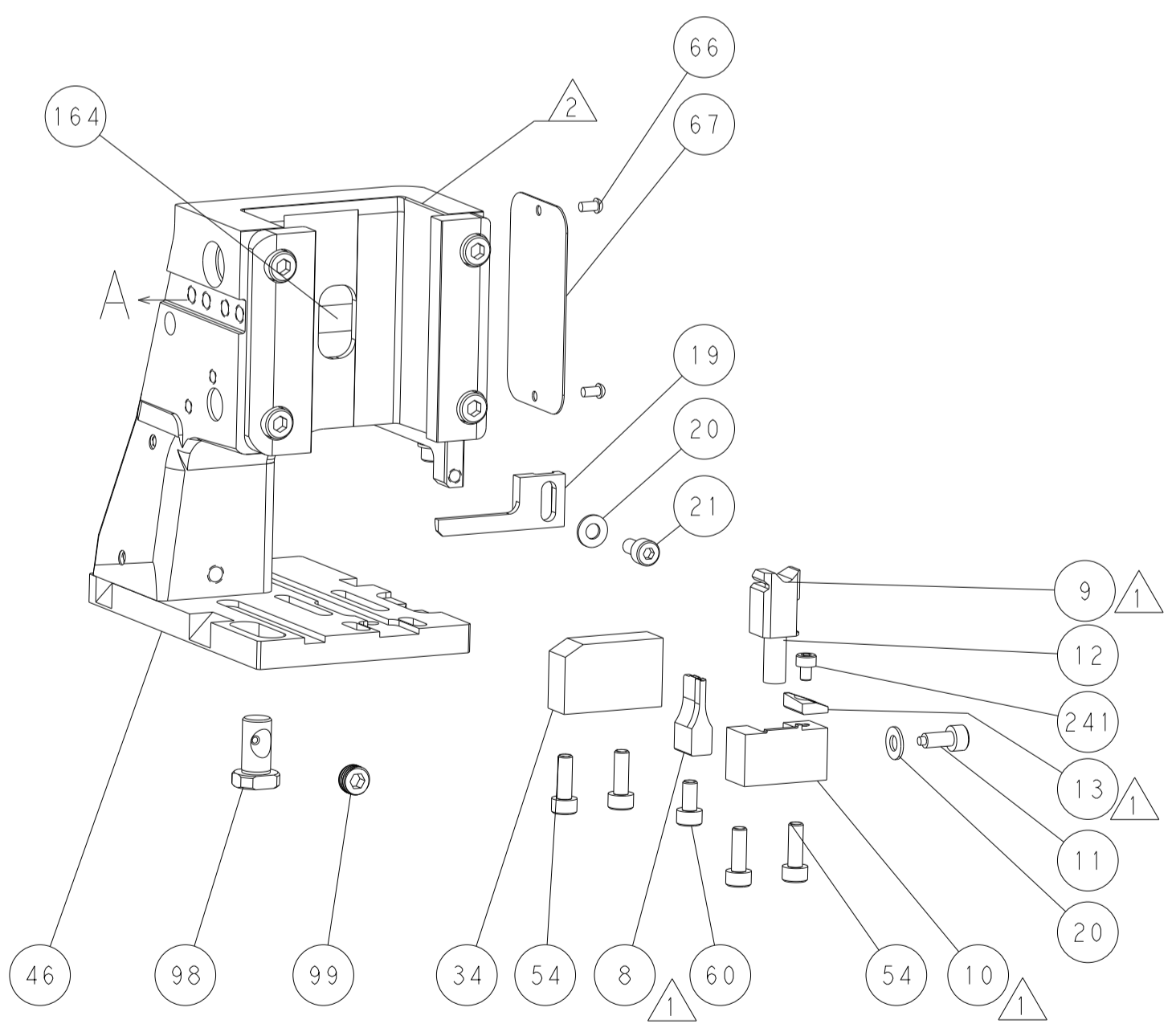
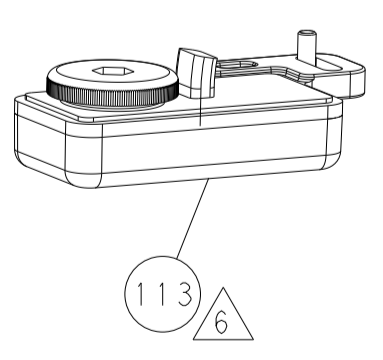
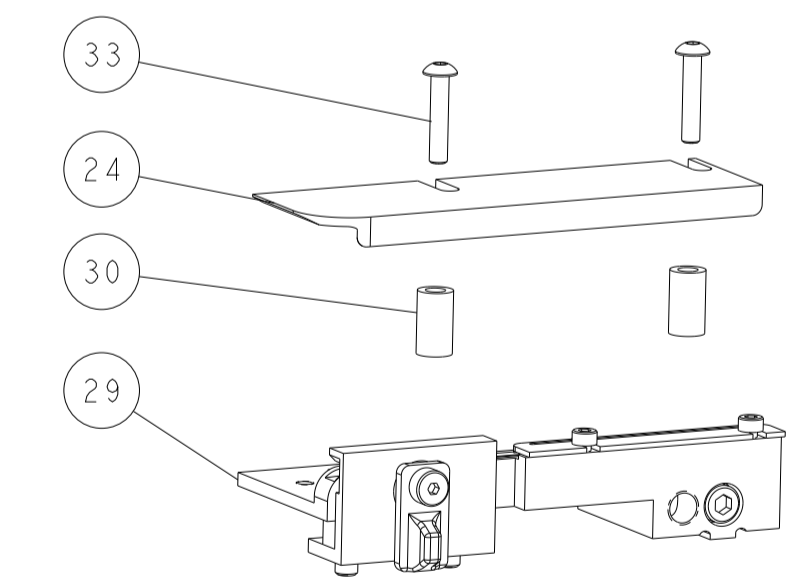
TERMINAL SUPPORT LOCATION



RAM SET-UP



FEED TRACK POSITION GUIDE BY INSULATION BARREL



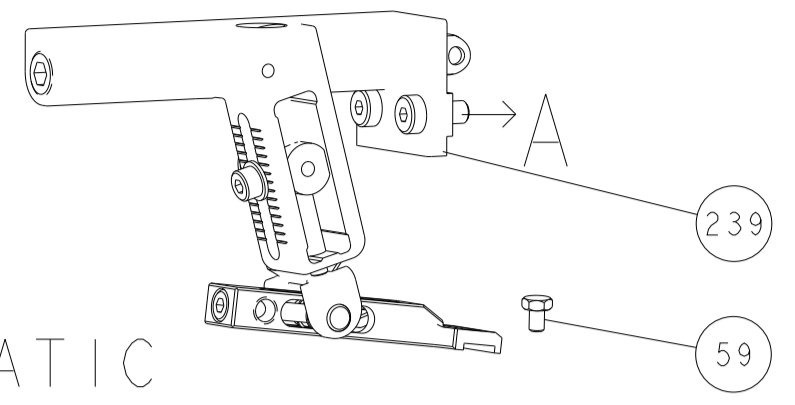
**ATLANTIC VERSION**  
 Shown on sheets 1 of 4 & 2 of 4  
 (Pacific version shown on sheets 3 of 4 & 4 of 4)

DIMENSIONS:		TOLERANCES UNLESS OTHERWISE SPECIFIED:		DWN R. HUANG 27AUG2012		TE Connectivity	
mm	0 PLC ±	1 PLC ±	2 PLC ±	3 PLC ±	4 PLC ±	Harrisburg, PA 17105-3608	
MATERIAL:		FINISH:		CHK S.XI 27AUG2012		NAME Ocean Side Feed Applicator	
				APVD S.XI 27AUG2012		SIZE CAGE CODE DRAWING NO RESTRICTED TO	
				PRODUCT SPEC		A1 00779 C=2151478	
				APPLICATION SPEC		Customer Accessible Production Drawing	
				WEIGHT		SCALE 1:2 SHEET 2 OF 4 REV G	

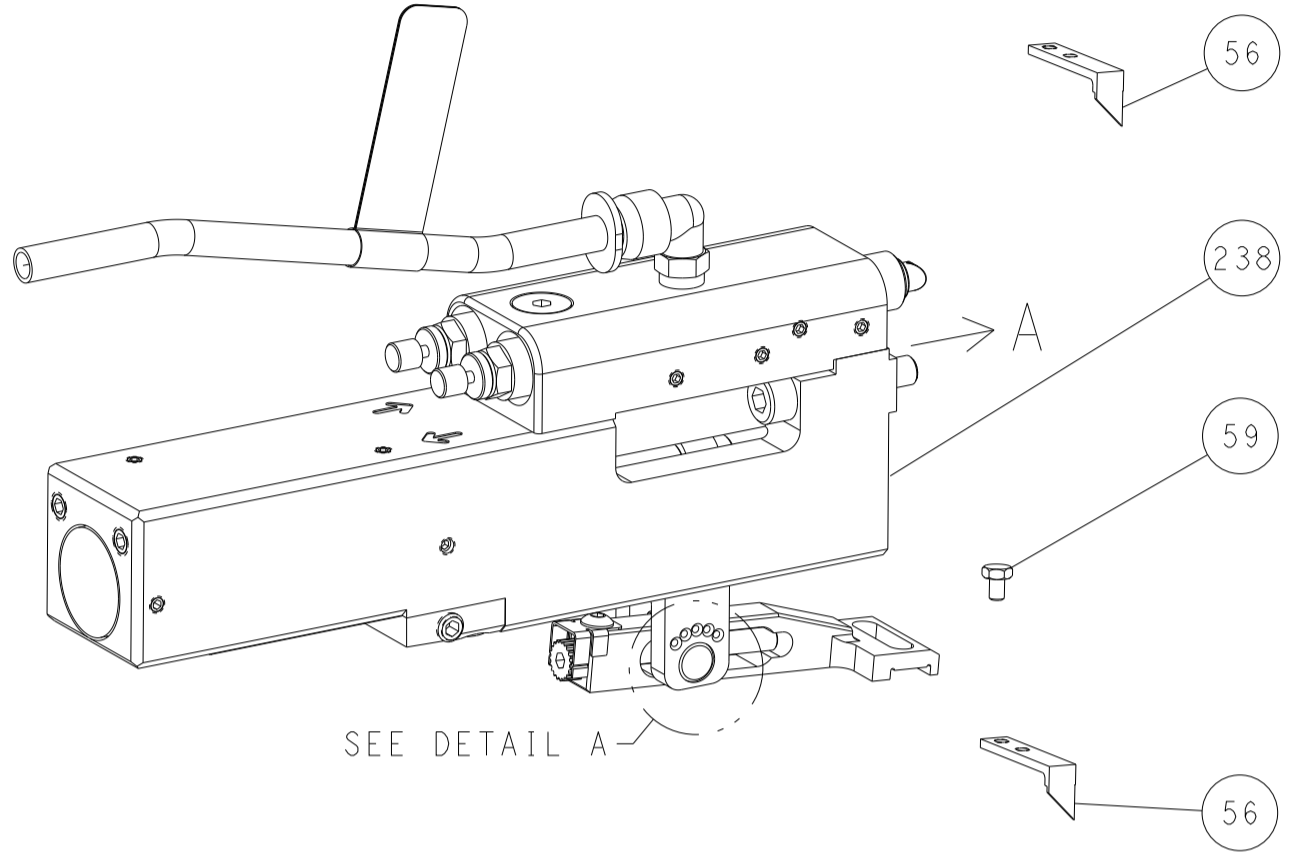


LOC		DIST		REVISIONS				
P	LTN	DATE	DMN	APVD	DESCRIPTION	DATE	DMN	APVD
-	-	SEE SHEET 1	-	-	-	-	-	-

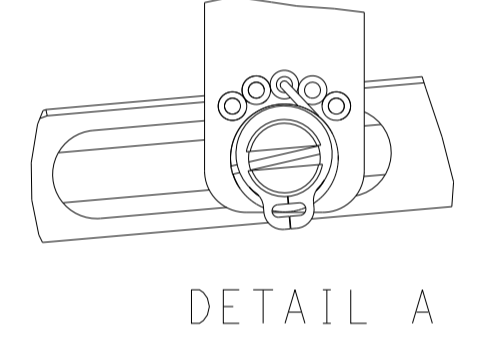
# FEED TYPE MECHANICAL



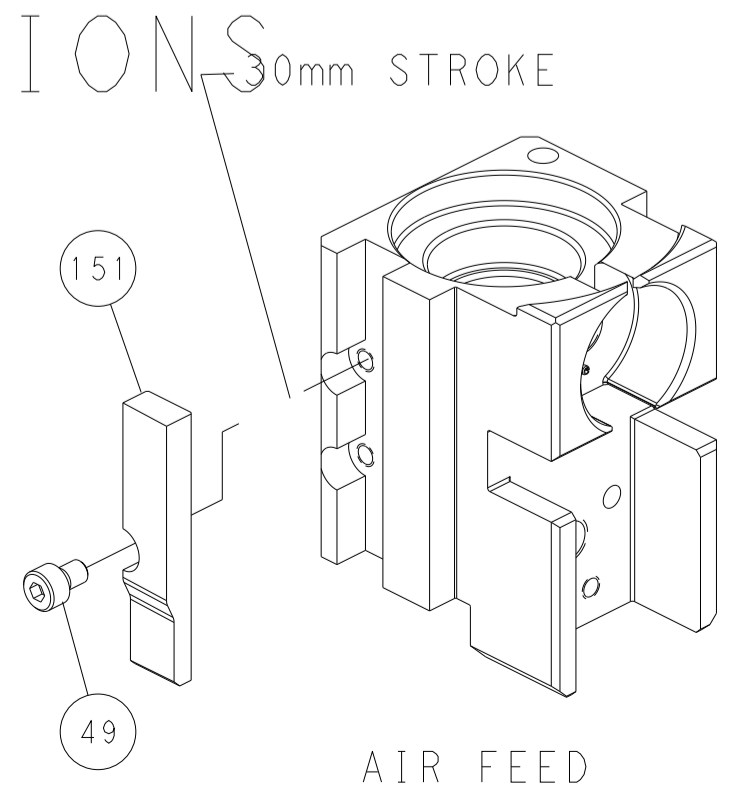
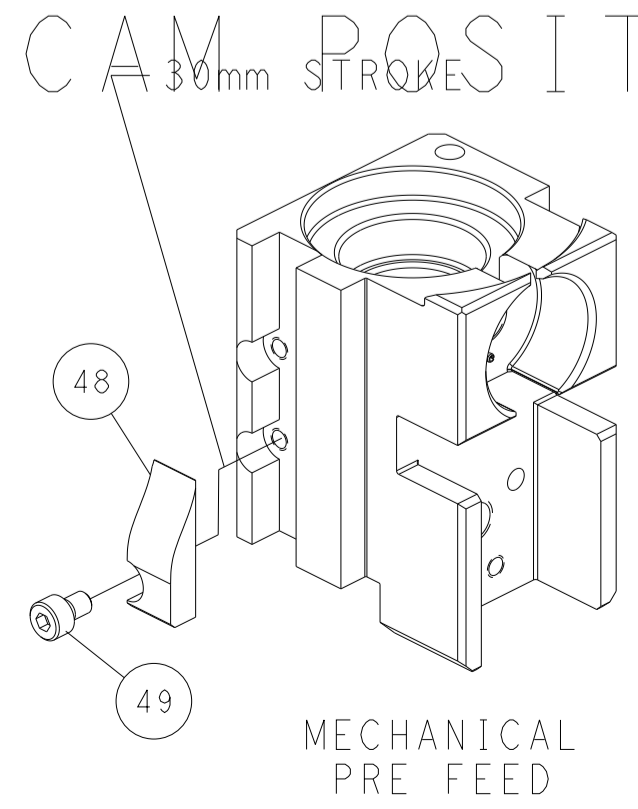
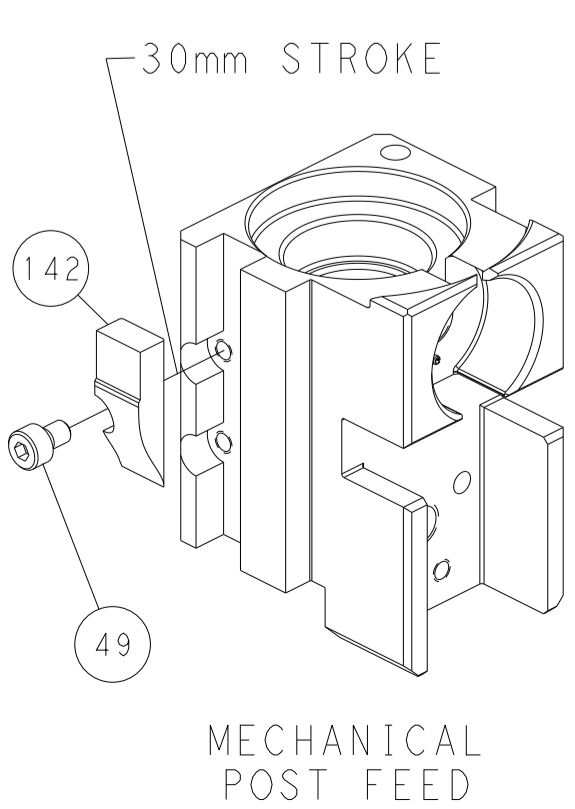
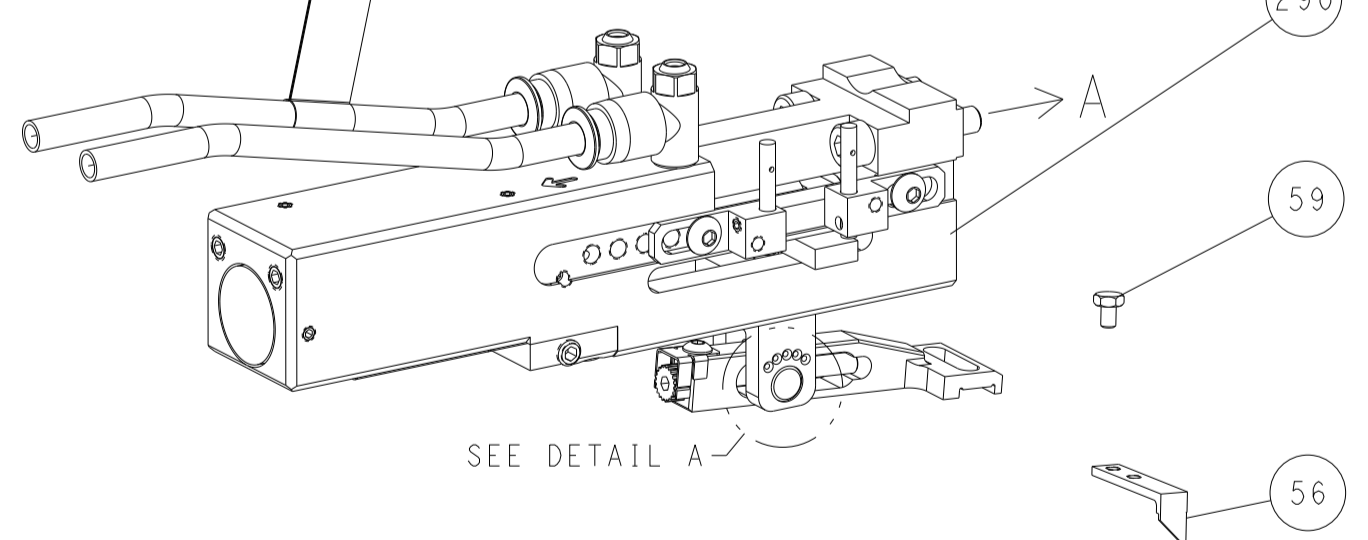
# PNEUMATIC



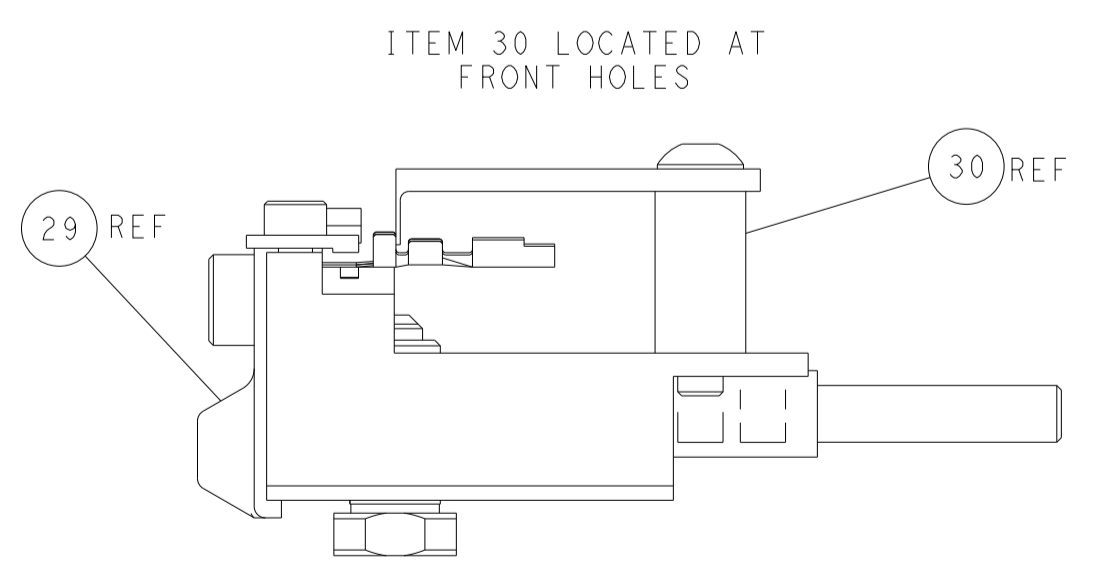
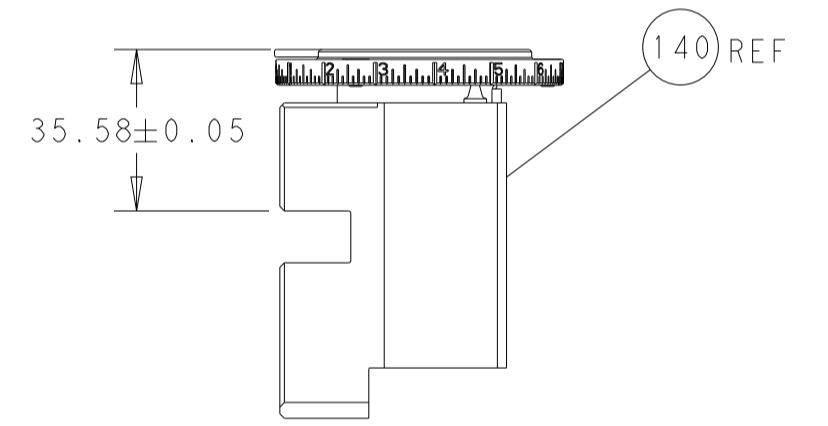
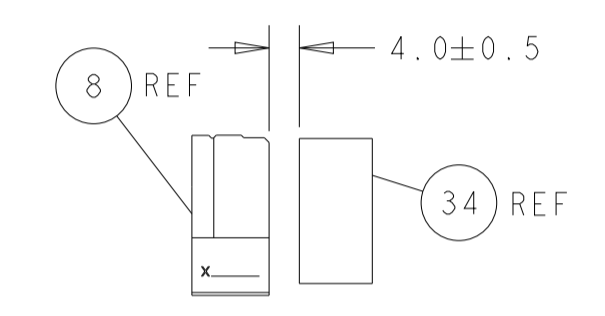
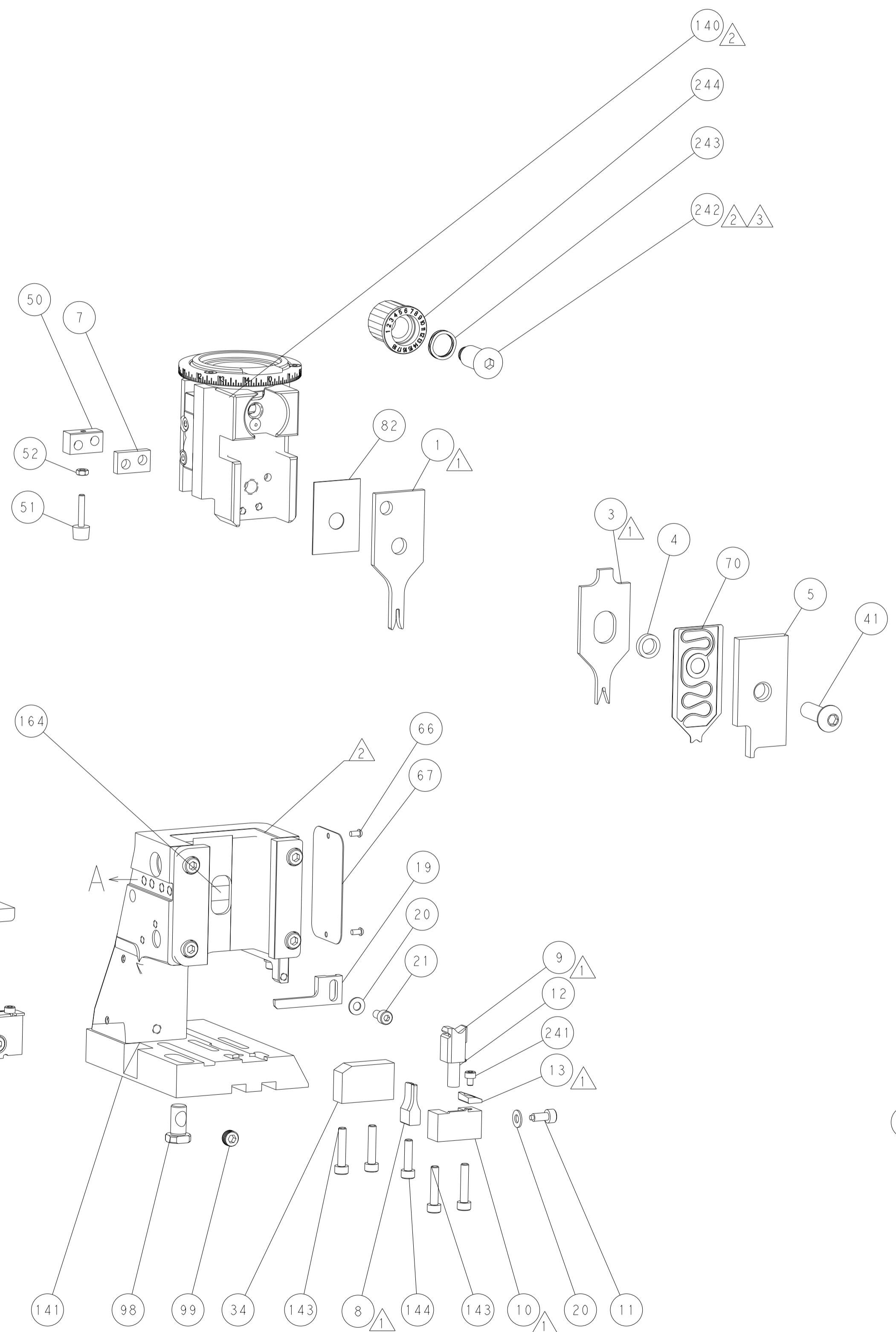
# FEED SPRING SETTING POSITION (SHOWN FROM REAR SIDE)



# DOUBLE ACTING PNEUMATIC WITH SENSORS



# CAM POSITIONS



**PACIFIC VERSION**  
 Shown on sheets 3 of 4 & 4 of 4  
 (Atlantic version shown on sheets 1 of 4 & 2 of 4)

DIMENSIONS:		TOLERANCES UNLESS OTHERWISE SPECIFIED:		DWG: H. HUANG 27AUG2012		TE Connectivity	
mm	0 PLC ±	1 PLC ±	2 PLC ±	3 PLC ±	4 PLC ±	Harrisburg, PA 17105-3608	
MATERIAL:		FINISH:		CHK: S. XI 27AUG2012		NAME: Ocean Side Feed Applicator	
APVD: S. XI 27AUG2012		PRODUCT SPEC:		APPLICATION SPEC:		SIZE: A1	
WEIGHT:		SCALE: 1:2		CAGE CODE: 00779		DRAWING NO: 2151478	
Customer Accessible Production Drawing		SHEET 4 OF 4		REV G		RESTRICTED TO:	