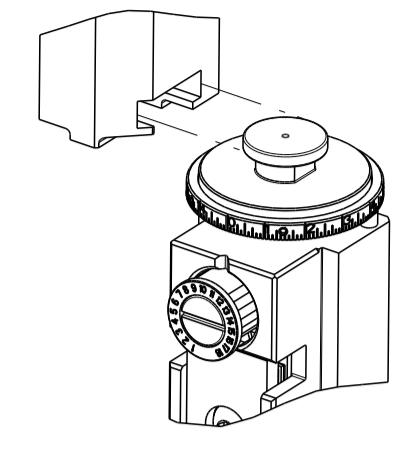


| PART NUMBER | REVISION | DESCRIPTION | FEED TYPE |
|-------------|----------|----------------------------------|------------|
| 2151554-1 | C | FINE CRIMP HEIGHT ADJUST | MECHANICAL |
| 2151554-2 | C | FINE CRIMP HEIGHT ADJUST | PNEUMATIC |
| 7-2151554-1 | C | MECHANICAL AND CRIMP TOOLING KIT | MECHANICAL |
| 7-2151554-2 | C | PNEUMATIC AND CRIMP TOOLING KIT | PNEUMATIC |
| 7-2151554-7 | A | CRIMP TOOLING KIT | - |

ATLANTIC VERSION TERMINATOR INTERFACE ADAPTER



| APPLICATOR DATA | | |
|-----------------|----------------|------|
| CRIMP | SIZE | TYPE |
| WIRE | 2.41 mm [.095] | F |
| INSUL | 3.81 mm [.150] | F |

APPLICATOR INSTRUCTIONS
408-35042

| TERMINAL DATA: YAZAKI TERMINAL | | TE CRIMP SPECIFICATION | |
|------------------------------------|-----------------|------------------------------|-----------------|
| TERMINAL NAME: YPC TERMINAL | | | |
| WIRE STRIP LENGTH | | INSULATION DIAMETER RANGE | |
| .154-.169 IN [3.91-4.29 mm] | | ∅.120-.150 IN [3.05-3.81 mm] | |
| TERMINAL APPLICATION SPECIFICATION | NONE | | |
| TERMINALS APPLIED | | | |
| TE TERMINAL | YAZAKI TERMINAL | TE TERMINAL | YAZAKI TERMINAL |
| 2113248-1 | 7115-1330 | | |

| WIRE SIZE | CRIMP HEIGHT mm [INCH] | CRIMP HEIGHT REFERENCE SETTING |
|-----------|--------------------------------|--------------------------------|
| 2.00mm2 | 1.55 +/- 0.05 [1.061 +/- .002] | OUT OF RANGE |
| 1.25mm2 | 1.30 +/- 0.05 [1.051 +/- .002] | 2.0 |
| 0.85mm2 | 1.25 +/- 0.05 [1.049 +/- .002] | 2.5 |
| 0.50mm2 | 1.15 +/- 0.05 [1.045 +/- .002] | 3.5 |

- 1 RECOMMENDED SPARE PARTS
- 2 REFER TO SUPPLIED INSTRUCTION SHEET FOR CLEANING, LUBRICATION AND STORAGE OF APPLICATOR.
- 3 APPLY PART NUMBER 2-23419-6 LOCTITE TO THREADS OF ITEM 242.
- 4 CRIMP HEIGHT REFERENCE SETTING WAS THE SETTING USED WHEN THE APPLICATOR WAS QUALIFIED AT THE FACTORY. ADJUSTMENT MAY BE NECESSARY WHEN RUNNING APPLICATOR IN THE FIELD.
- 5. UNLESS SPECIFIED OTHERWISE TORQUE VALUES SHALL BE USED PER DOCUMENT, 101-35000.
- 6 TERMINAL LUBRICANT IS RECOMMENDED.

***WARNING**
ON INSTALLATION, SET WIRE DISC TO CRIMP HEIGHT REFERENCE SETTING FOR LARGEST WIRE SIZE. CRIMP HEIGHT REFERENCE SETTINGS GREATER THAN THE VALUE SHOWN MAY CAUSE DAMAGE TO THE CRIMP TOOLING, REFER TO THE INSTRUCTION SHEET FOR PROPER SETUP AND ADJUSTMENTS.

ATLANTIC VERSION
Shown on sheets 1 of 4 & 2 of 4
(Pacific version shown on sheets 3 of 4 & 4 of 4)

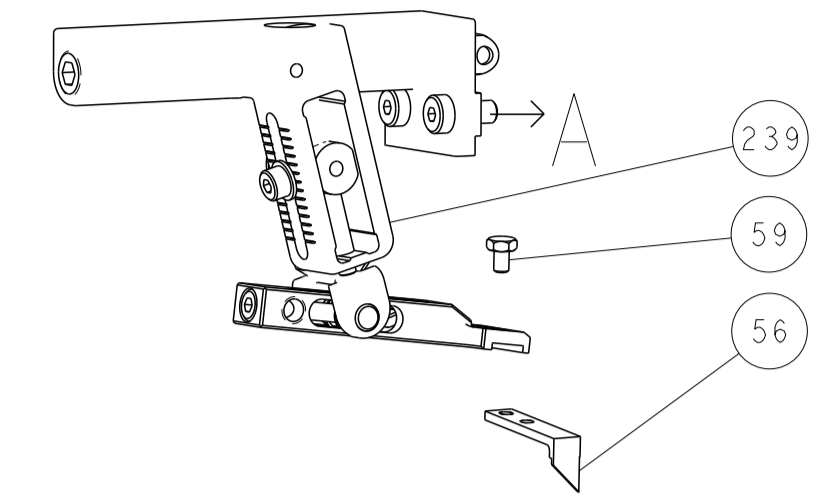
| LOC | DIST | REVISIONS | | | | | |
|-----|------|-----------|-----|---------------|------------|-----|------|
| A | 66 | P | LTN | DESCRIPTION | DATE | OWN | APVD |
| | | A | | RELEASED | 1MARCH2012 | KS | GB |
| | | B | | ECR-19-010071 | 27JUN2019 | FZ | TE |
| | | C | | ECR-19-010926 | 11JUL2019 | TB | GB |

| | | | | | | | |
|---|-----|-----|-----|-----|-------------|-------------------------------------|---------|
| - | 1 | - | 1 | - | 2119640-1 | PUSH ROD, AIR FEED | 250 |
| - | 1 | - | 1 | - | 1803259-1 | BUSHING, FLANGED | 249 |
| - | 1 | - | 1 | - | 2119641-1 | FEED CAM, AIR FEED | 248 |
| - | 1 | 1 | 1 | 1 | 2119082-3 | CAM, SNAIL, INSULATION ADJUSTMENT | 244 |
| - | 1 | 1 | 1 | 1 | 2079764-1 | WASHER, WAVE SPRING, CREST-TO-CREST | 243 |
| 3 | - | 1 | 1 | 1 | 2119083-1 | RETAINER, INSULATION DIAL | 242 |
| - | 1 | 1 | 1 | 1 | 18023-1 | SCR, SKT HD CAP M3 X 5.0 | 241 |
| - | - | 1 | - | 1 | 2119580-1 | MECHANICAL FEED ASSEMBLY | 239 |
| - | 1 | - | 1 | - | 2063440-1 | AIR FEED MODULE | 238 |
| - | 2 | - | 2 | - | 21045-3 | RING, RETAIN, EXTERN, 3/16 CRESCENT | 172 |
| - | REF | REF | REF | REF | 994970-2 | COUNTER, MAGNETIC | 164 |
| - | 1 | - | 1 | - | 240638-1 | SPRING, FEED FINGER | 163 |
| - | 1 | - | 1 | - | 3-23627-7 | PIN, RETAIN, GRVD, 3/16 X .854 | 137 |
| - | 1 | - | 1 | - | 2119799-1 | HOLDER, FEED FINGER, AF | 136 |
| - | 1 | 1 | 1 | 1 | 1-18028-2 | WASHER, FLAT, REG M4 | 119 |
| 6 | - | 1 | 1 | 1 | 2119955-1 | ASSY, LUBRICATOR, SIDE FEED | 113 |
| - | 1 | 1 | 1 | 1 | 2844908-1 | SCREW, LOCKING | 99 |
| - | 1 | 1 | 1 | 1 | 2844907-1 | POST, LOCKING | 98 |
| - | 1 | 1 | 1 | 1 | 455888-6 | SPACER, CRIMPER | 82 |
| - | 1 | 1 | 1 | 1 | 1803607-1 | DOCUMENTATION PACKAGE | 71 |
| - | 1 | 1 | 1 | 1 | 2119791-9 | DEPRESSOR, WIRE | 70 |
| - | 1 | 1 | 1 | 1 | 2119740-1 | TAG, IDENTIFICATION | 67 |
| - | 2 | 2 | 2 | 2 | 2168078-1 | SCREW, DRIVE, RH, RoHS, 2 x .188 | 66 |
| - | 1 | 1 | 1 | 1 | 2168083-2 | SCR, SKT HD CAP, RoHS, M4 X 8.0 | 60 |
| - | 1 | 1 | 1 | 1 | 5-18022-5 | SCR, HEX HD CAP, M4 X 6.0 | 59 |
| - | 1 | 1 | 1 | 1 | 1338685-1 | PAWL, FEED | 56 |
| - | 4 | 4 | 4 | 4 | 2168083-3 | SCR, SKT HD CAP, RoHS, M4 X 12.0 | 54 |
| - | 2 | 2 | 2 | 2 | 2-2168083-5 | SCR, SKT HD CAP, RoHS, M4 X 14 | 53 |
| - | 1 | 1 | 1 | 1 | 1803382-6 | HOLD DOWN, SPRING LOADED | 50 |
| - | 1 | 2 | 1 | 2 | 18023-9 | SCR, SKT HD CAP M4 X 6.0 | 49 |
| - | - | 1 | - | 1 | 2119652-1 | FEED CAM, PRE FEED | 48 |
| - | - | 1 | - | 1 | 2119653-1 | FEED CAM, POST FEED | 47 |
| - | 1 | 1 | 1 | 1 | 1803583-9 | APPLICATOR BASIC ASSEMBLY, SF | 46 |
| - | 1 | 1 | 1 | 1 | 1803515-1 | RAM ASSEMBLY, SF ATLANTIC | 44 |
| - | 1 | 1 | 1 | 1 | 1803602-1 | SCR, BHSC, RoHS (M8 X 25) | 41 |
| - | 1 | 1 | 1 | 1 | 1752356-1 | SUPPORT, TERMINAL | 34 |
| - | 2 | 2 | 2 | 2 | 2079383-5 | SCR, BHSC, RoHS (M4 X 20) | 33 |
| - | 2 | 2 | 2 | 2 | 2-2844962-8 | SPACER, CYLINDRICAL, STRIP GUIDE | 30 |
| - | 1 | 1 | 1 | 1 | 2844992-1 | ASSEMBLY, STRIP GUIDE | 29 |
| - | 1 | 1 | 1 | 1 | 1-455888-0 | SPACER, CRIMPER | 28 |
| - | 1 | 1 | 1 | 1 | 1320928-2 | STRIP GUIDE | 24 |
| - | 1 | 1 | 1 | 1 | 2168083-2 | SCR, SKT HD CAP, RoHS, M4 X 8.0 | 21 |
| - | 1 | 1 | 1 | 1 | 1-18028-2 | WASHER, FLAT, REG M4 | 20 |
| - | 1 | 1 | 1 | 1 | 2119533-1 | STRIPPER, SIDE FEED | 19 |
| 1 | - | 1 | 1 | 1 | 2119806-1 | INSERT, SHEAR | 13 |
| - | 1 | 1 | 1 | 1 | 3-22280-3 | SPRING, COMPRESSION | 12 |
| - | 1 | 1 | 1 | 1 | 1-356885-4 | STOP, SHEAR | 11 |
| 1 | - | 1 | 1 | 1 | 2119805-1 | SHEAR HOLDER, FRONT | 10 |
| 1 | - | 1 | 1 | 1 | 1803095-6 | FLOATING SHEAR, FRONT | 9 |
| 1 | 1 | 2 | 2 | 1 | 1633932-2 | ANVIL, COMBINATION | 8 |
| - | 1 | 1 | 1 | 1 | 240641-1 | SPACER | 7 |
| - | - | - | - | - | - | - | 6 |
| - | 1 | 1 | 1 | 1 | 2119757-8 | DEPRESSOR, SHEAR | 5 |
| - | 1 | 1 | 1 | 1 | 1-238011-7 | BLOCK, CRIMPER SPACER | 4 |
| 1 | 1 | 2 | 2 | 1 | 3-2119582-9 | CRIMPER, INSULATION F PREMIUM | 3 |
| - | 1 | 1 | 1 | 1 | 455888-3 | SPACER, CRIMPER | 2 |
| 1 | 1 | 2 | 2 | 1 | 6-1633609-1 | CRIMPER, WIRE | 1 |
| - | 77 | -72 | -71 | -2 | -1 | PART NO | ITEM NO |

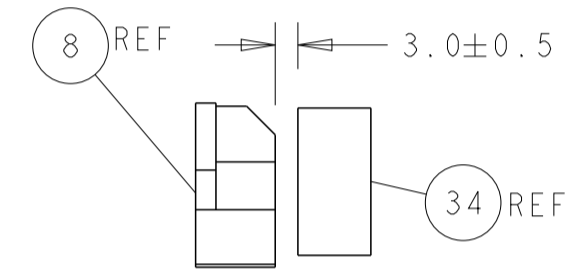
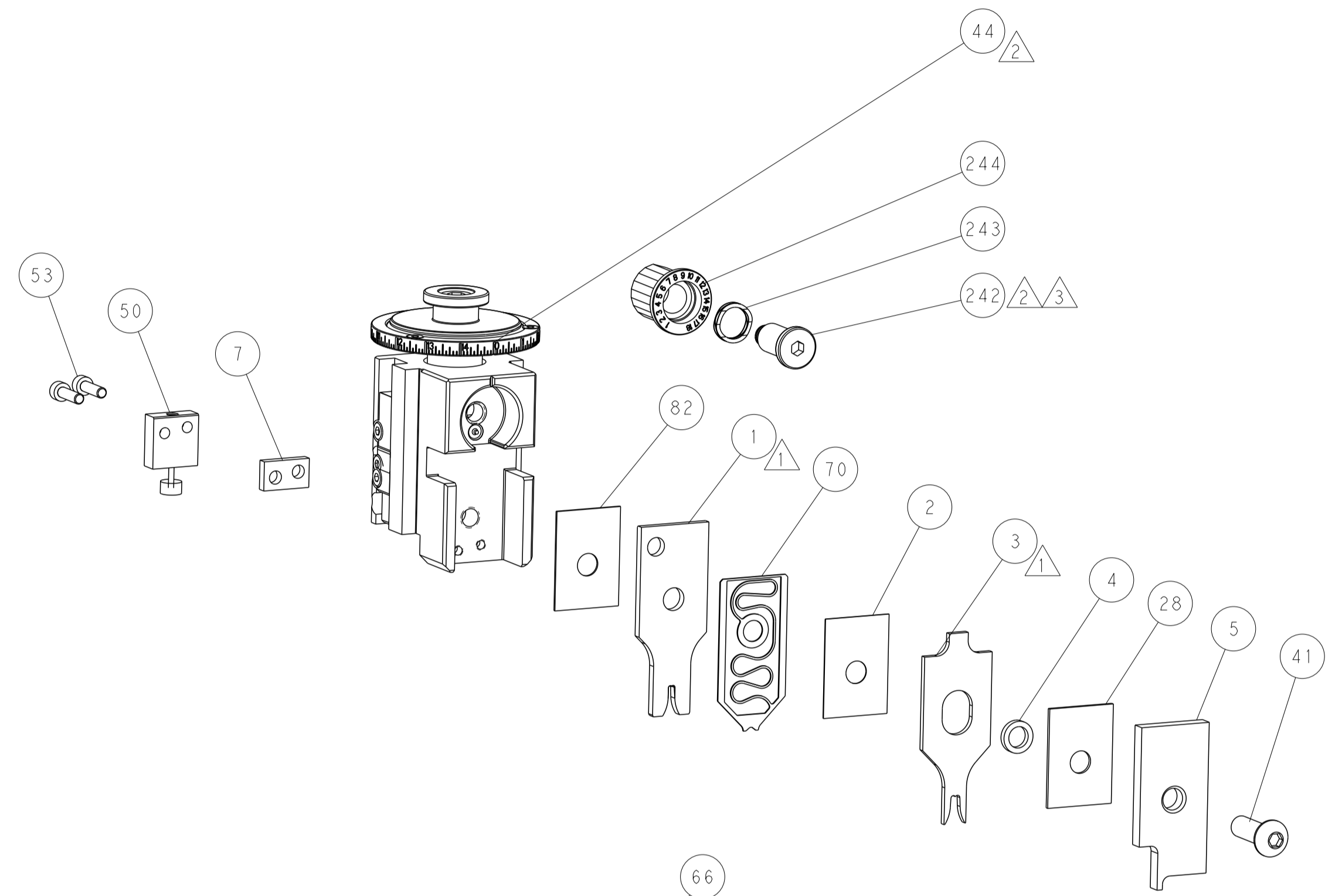
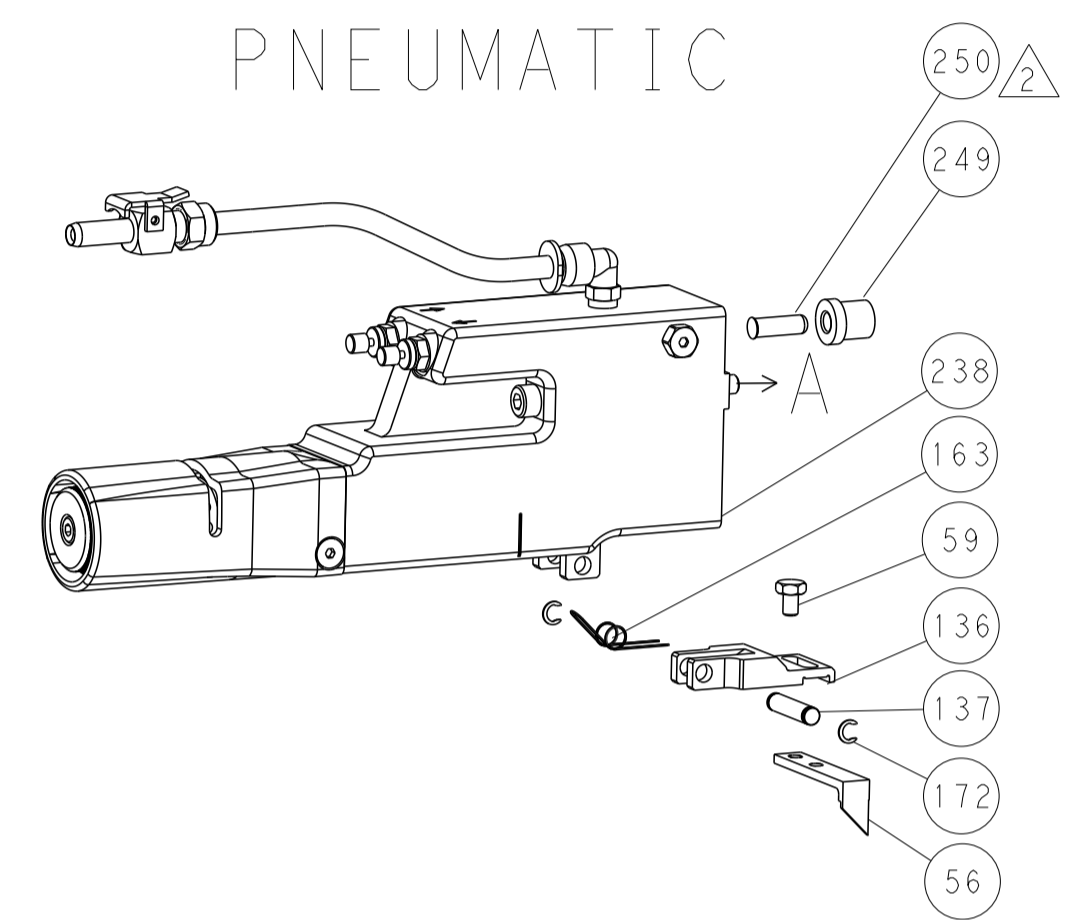
| DIMENSIONS: | | TOLERANCES UNLESS OTHERWISE SPECIFIED: | | DRAWING NO | | RESTRICTED TO | |
|-----------------|---------|--|---------|-------------------------|---------|------------------------------|----------|
| mm | 0 PLC ± | 1 PLC ± | 2 PLC ± | 3 PLC ± | 4 PLC ± | ANGLES ± | FINISH ± |
| MATERIAL | | | | WEIGHT | | RESTRICTED CUSTOMER | |
| APPLICATOR DATA | | | | APPLICATOR INSTRUCTIONS | | SCALE 1:2 SHEET 1 OF 4 REV C | |

| LOC | DIST | REVISIONS | | | | | |
|-----|------|-----------|-----|-------------|------|-----|------|
| A | 66 | P | LYN | DESCRIPTION | DATE | DWN | APVD |
| | | - | | SEE SHEET 1 | | | |

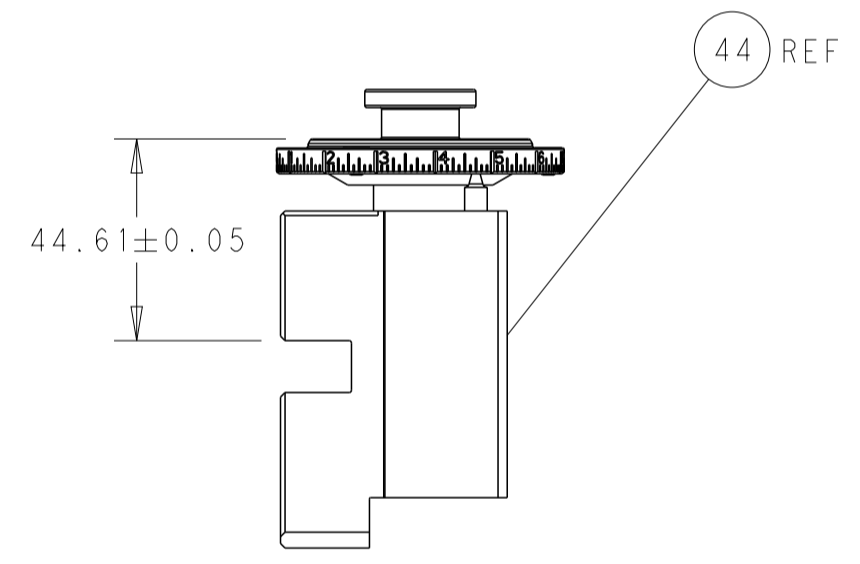
FEED TYPE MECHANICAL



PNEUMATIC

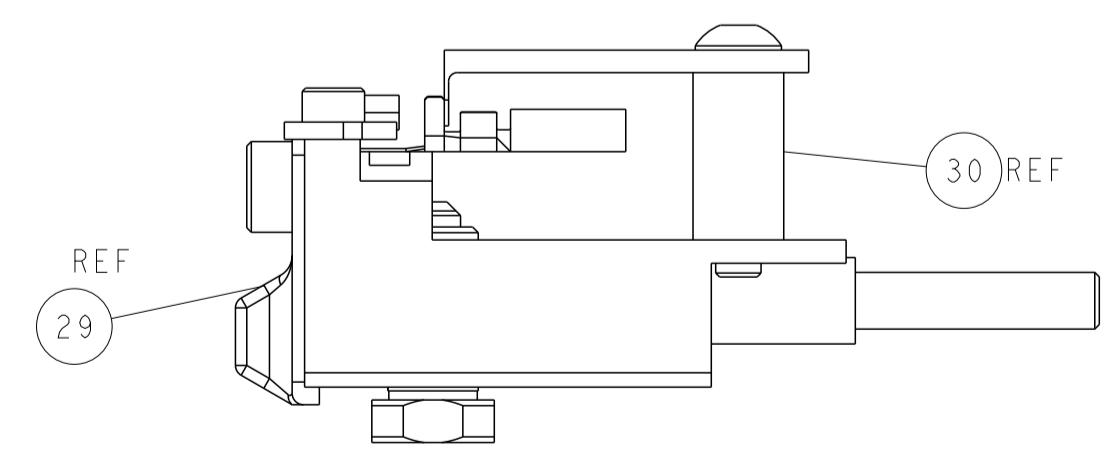


TERMINAL SUPPORT LOCATION

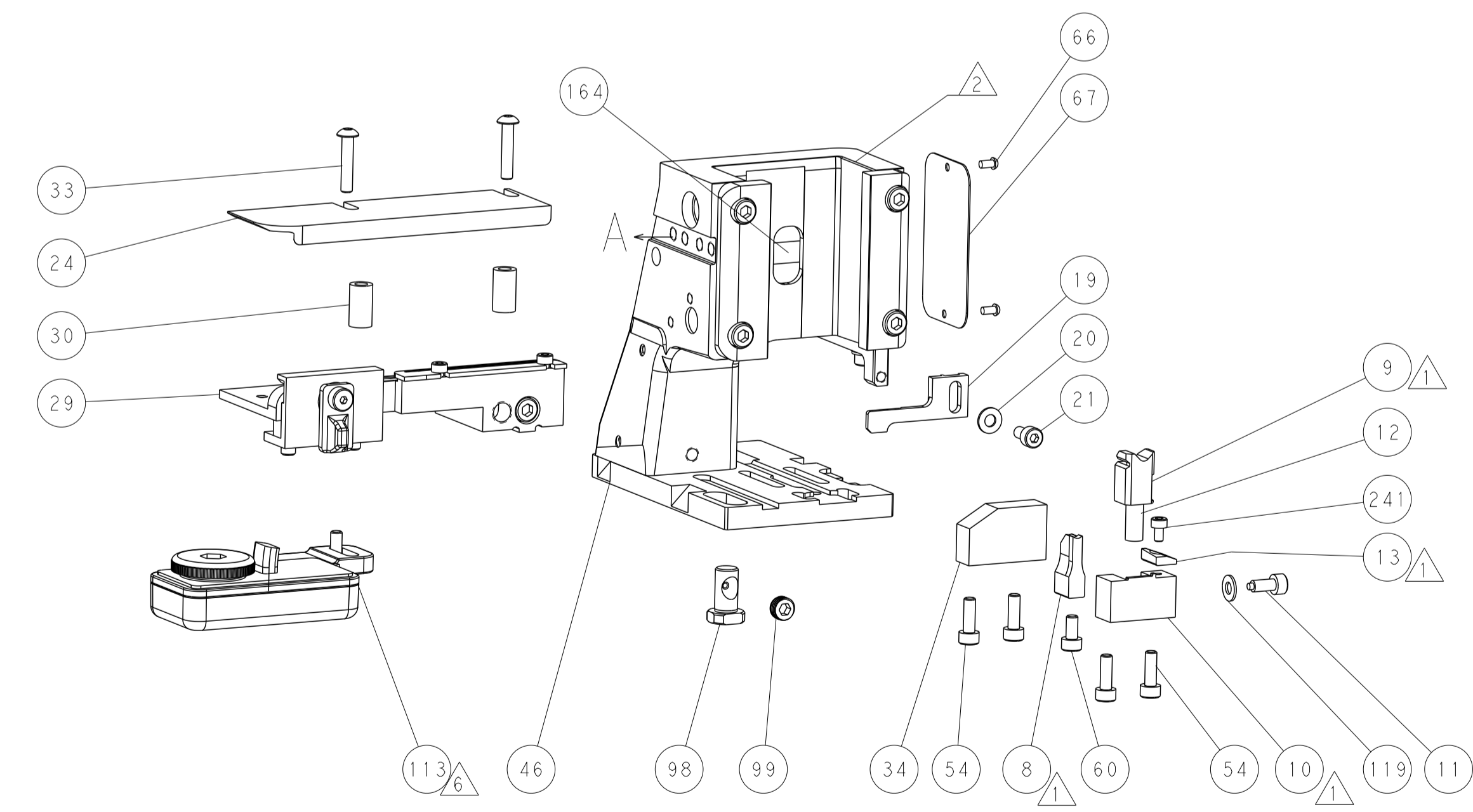


RAM SET-UP

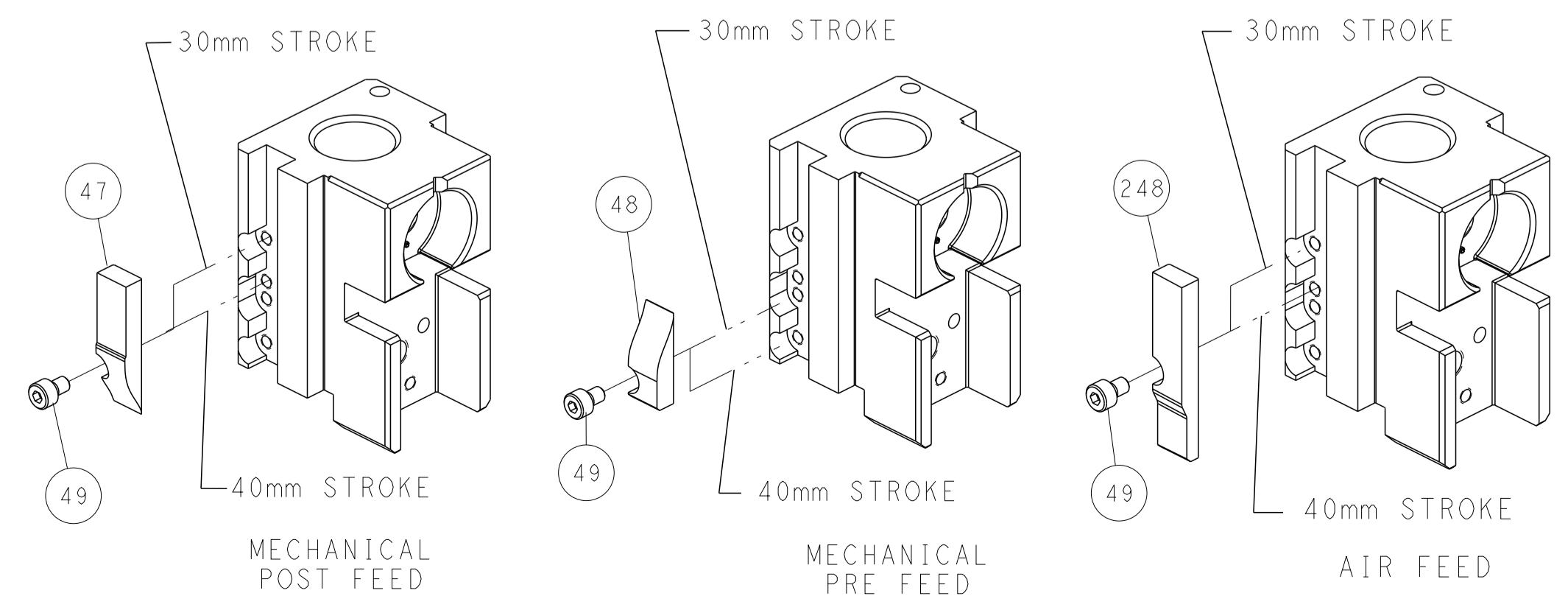
ITEM 30 LOCATED AT FRONT HOLES



FEED TRACK POSITION GUIDE BY INSULATION BARREL



CAM POSITIONS



ATLANTIC VERSION
 Shown on sheets 1 of 4 & 2 of 4
 (Pacific version shown on sheets 3 of 4 & 4 of 4)

| | | | |
|---|--|---|---|
| <small>THIS DRAWING IS UNPUBLISHED. RELEASED FOR PUBLICATION. ALL RIGHTS RESERVED. © 2012 BY TYCO ELECTRONICS CORPORATION. THIS DRAWING IS THE PROPERTY OF TYCO ELECTRONICS CORPORATION AND IS NOT TO BE REPRODUCED OR TRANSMITTED IN ANY FORM OR BY ANY MEANS, ELECTRONIC OR MECHANICAL, WITHOUT THE WRITTEN PERMISSION OF TYCO ELECTRONICS CORPORATION.</small> | | DWN: K. STAKEM 30JAN2012 CHK: G. BAILEY 30JAN2012 APVD: T. ELBIN 30JAN2012 | TE Connectivity Harrisburg, PA 17105-3608 |
| DIMENSIONS: mm TOLERANCES UNLESS OTHERWISE SPECIFIED: 0 PLC ± 1 PLC ± 2 PLC ± 3 PLC ± 4 PLC ± ANGLES ± FINISH ± | | NAME: Ocean Side Feed Applicator PRODUCT SPEC: APPLICATION SPEC: WEIGHT: | SIZE: CAGE CODE: DRAWING NO: RESTRICTED TO: A1 00779 ©=2151554 |
| MATERIAL: | | RESTRICTED CUSTOMER: | SCALE: 1:2 SHEET 2 OF 4 REV C |

| PART NUMBER | REVISION | DESCRIPTION | FEED TYPE |
|-------------|----------|--------------------------|------------|
| 2-2151554-1 | C | FINE CRIMP HEIGHT ADJUST | MECHANICAL |
| 2-2151554-2 | C | FINE CRIMP HEIGHT ADJUST | PNEUMATIC |
| 7-2151554-7 | A | CRIMP TOOLING KIT | - |

PACIFIC VERSION TERMINATOR
INTERFACE ADAPTER



| APPLICATOR DATA | | |
|--------------------------------------|----------------|------|
| CRIMP | SIZE | TYPE |
| WIRE | 2.41 mm [.095] | F |
| INSUL | 3.81 mm [.150] | F |
| APPLICATOR INSTRUCTIONS 408-35042 | | |

| TERMINAL DATA: YAZAKI TERMINAL TE CRIMP SPECIFICATION | | | |
|---|------------------------------|-------------|-----------------|
| TERMINAL NAME: YPC TERMINAL | | | |
| WIRE STRIP LENGTH | INSULATION DIAMETER RANGE | | |
| .154-.169 IN [3.91-4.29 mm] | ∅.120-.150 IN [3.05-3.81 mm] | | |
| TERMINAL APPLICATION SPECIFICATION | NONE | - | - |
| TERMINALS APPLIED 6 | | | |
| TE TERMINAL | YAZAKI TERMINAL | TE TERMINAL | YAZAKI TERMINAL |
| 2113248-1 | 7115-1330 | | |

| WIRE SIZE | CRIMP HEIGHT mm [INCH] | CRIMP HEIGHT REFERENCE SETTING |
|-----------|-----------------------------|--------------------------------|
| 2.00mm2 | 1.55+/-0.05 [1.061+/-0.002] | OUT OF RANGE |
| 1.25mm2 | 1.30+/-0.05 [1.051+/-0.002] | 2.0 |
| 0.85mm2 | 1.25+/-0.05 [1.049+/-0.002] | 2.5 |
| 0.50mm2 | 1.15+/-0.05 [1.045+/-0.002] | 3.5 |



- 1 RECOMMENDED SPARE PARTS
- 2 REFER TO SUPPLIED INSTRUCTION SHEET FOR CLEANING, LUBRICATION AND STORAGE OF APPLICATOR.
- 3 APPLY PART NUMBER 2-23419-6 LOCTITE TO THREADS OF ITEM 242.
- 4 CRIMP HEIGHT REFERENCE SETTING WAS THE SETTING USED WHEN THE APPLICATOR WAS QUALIFIED AT THE FACTORY. ADJUSTMENT MAY BE NECESSARY WHEN RUNNING APPLICATOR IN THE FIELD.
- 5. UNLESS SPECIFIED OTHERWISE TORQUE VALUES SHALL BE USED PER DOCUMENT, 101-35000.
- 6 TERMINAL LUBRICANT IS RECOMMENDED.

***WARNING**
ON INSTALLATION, SET WIRE DISC TO CRIMP HEIGHT REFERENCE SETTING FOR LARGEST WIRE SIZE. CRIMP HEIGHT REFERENCE SETTINGS GREATER THAN THE VALUE SHOWN MAY CAUSE DAMAGE TO THE CRIMP TOOLING, REFER TO THE INSTRUCTION SHEET FOR PROPER SETUP AND ADJUSTMENTS.

PACIFIC VERSION
Shown on sheets 3 of 4 & 4 of 4
(Atlantic version shown on sheets 1 of 4 & 2 of 4)

| LOC | DIST | REVISIONS | | | | | |
|-----|------|-----------|-----|-------------|------|-----|------|
| A | 66 | P | LTN | DESCRIPTION | DATE | OWN | APVD |
| - | - | - | - | SEE SHEET 1 | - | - | - |

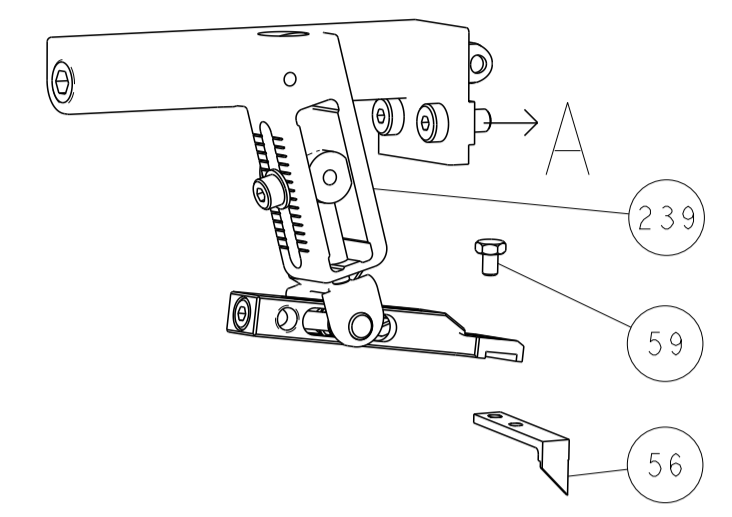
| | | | | | |
|---|-----|-----|-------------|-------------------------------------|-----|
| - | 1 | - | 2119640-1 | PUSH ROD, AIR FEED | 250 |
| - | 1 | - | 1803259-1 | BUSHING, FLANGED | 249 |
| - | 1 | 1 | 2119082-3 | CAM, SNAIL, INSULATION ADJUSTMENT | 244 |
| - | 1 | 1 | 2079764-1 | WASHER, WAVE SPRING, CREST-TO-CREST | 243 |
| 3 | 1 | 1 | 2119083-1 | RETAINER, INSULATION DIAL | 242 |
| - | 1 | 1 | 18023-1 | SCR, SKT HD CAP M3 X 5.0 | 241 |
| - | - | 1 | 2119580-1 | MECHANICAL FEED ASSEMBLY | 239 |
| - | 1 | - | 2063440-1 | AIR FEED MODULE | 238 |
| - | 2 | - | 21045-3 | RING, RETAIN, EXTERN, 3/16 CRESCENT | 172 |
| - | REF | REF | 994970-2 | COUNTER, MAGNETIC | 164 |
| - | 1 | - | 240638-1 | SPRING, FEED FINGER | 163 |
| - | 1 | - | 2119641-2 | FEED CAM, AIR FEED | 151 |
| - | 1 | 1 | 2168083-8 | SCR, SKT HD CAP, RoHS, M4 X 16 | 144 |
| - | 4 | 4 | 2168083-9 | SCR, SKT HD CAP, RoHS, M4 X 20 | 143 |
| - | - | 1 | 2119653-2 | FEED CAM, POST FEED | 142 |
| - | 1 | 1 | 1-1803583-0 | APPLICATOR BASIC ASSEMBLY, SF | 141 |
| - | 1 | 1 | 1803516-1 | RAM ASSEMBLY, SF PACIFIC | 140 |
| - | 1 | - | 3-23627-7 | PIN, RETAIN, GRVD, 3/16 X .854 | 137 |
| - | 1 | - | 2119799-1 | HOLDER, FEED FINGER, AF | 136 |
| - | 1 | 1 | 1-18028-2 | WASHER, FLAT, REG M4 | 119 |
| 6 | 1 | 1 | 2119955-1 | ASSY, LUBRICATOR, SIDE FEED | 113 |
| - | 1 | 1 | 2844908-1 | SCREW, LOCKING | 99 |
| - | 1 | 1 | 2844907-1 | POST, LOCKING | 98 |
| - | 1 | 1 | 455888-6 | SPACER, CRIMPER | 82 |
| - | 1 | 1 | 1803607-1 | DOCUMENTATION PACKAGE | 71 |
| - | 1 | 1 | 2119791-9 | DEPRESSOR, WIRE | 70 |
| - | 1 | 1 | 2119740-1 | TAG, IDENTIFICATION | 67 |
| - | 2 | 2 | 2168078-1 | SCREW, DRIVE, RH, RoHS, 2 x .188 | 66 |
| - | 1 | 1 | 5-18022-5 | SCR, HEX HD CAP, M4 X 6.0 | 59 |
| - | 1 | 1 | 1338685-1 | PAWL, FEED | 56 |
| - | 2 | 2 | 2-2168083-5 | SCR, SKT HD CAP, RoHS, M4 X 14 | 53 |
| - | 1 | 1 | 1803382-6 | HOLD DOWN, SPRING LOADED | 50 |
| - | 1 | 2 | 18023-9 | SCR, SKT HD CAP M4 X 6.0 | 49 |
| - | - | 1 | 2119652-1 | FEED CAM, PRE FEED | 48 |
| - | 1 | 1 | 1803602-1 | SCR, BHSC, RoHS (M8 X 25) | 41 |
| - | 1 | 1 | 1752356-1 | SUPPORT, TERMINAL | 34 |
| - | 2 | 2 | 2079383-5 | SCR, BHSC, RoHS (M4 X 20) | 33 |
| - | 2 | 2 | 2-2844962-8 | SPACER, CYLINDRICAL, STRIP GUIDE | 30 |
| - | 1 | 1 | 2844992-1 | ASSEMBLY, STRIP GUIDE | 29 |
| - | 1 | 1 | 1-455888-0 | SPACER, CRIMPER | 28 |
| - | 1 | 1 | 1320928-2 | STRIP GUIDE | 24 |
| - | 1 | 1 | 2168083-2 | SCR, SKT HD CAP, RoHS, M4 X 8.0 | 21 |
| - | 1 | 1 | 1-18028-2 | WASHER, FLAT, REG M4 | 20 |
| - | 1 | 1 | 2119533-1 | STRIPPER, SIDE FEED | 19 |
| 1 | 1 | 1 | 2119806-1 | INSERT, SHEAR | 13 |
| - | 1 | 1 | 3-22280-3 | SPRING, COMPRESSION | 12 |
| - | 1 | 1 | 1-356885-4 | STOP, SHEAR | 11 |
| 1 | 1 | 1 | 2119805-1 | SHEAR HOLDER, FRONT | 10 |
| 1 | 1 | 1 | 1803095-6 | FLOATING SHEAR, FRONT | 9 |
| 1 | 1 | 1 | 1633932-2 | ANVIL, COMBINATION | 8 |
| - | 1 | 1 | 240641-1 | SPACER | 7 |
| - | - | - | - | - | 6 |
| - | 1 | 1 | 2119757-8 | DEPRESSOR, SHEAR | 5 |
| - | 1 | 1 | 1-238011-7 | BLOCK, CRIMPER SPACER | 4 |
| 1 | 1 | 1 | 3-2119582-9 | CRIMPER, INSULATION F PREMIUM | 3 |
| - | 1 | 1 | 455888-3 | SPACER, CRIMPER | 2 |
| 1 | 1 | 1 | 6-1633609-1 | CRIMPER, WIRE | 1 |

| DIMENSIONS: | | TOLERANCES UNLESS OTHERWISE SPECIFIED: | | APPLICATOR DATA | |
|-------------|----------|--|---------|-----------------|---------|
| mm | 0 PLC ± | 1 PLC ± | 2 PLC ± | 3 PLC ± | 4 PLC ± |
| | ANGLES ± | FINISH | | | |
| MATERIAL | | WEIGHT | | | |

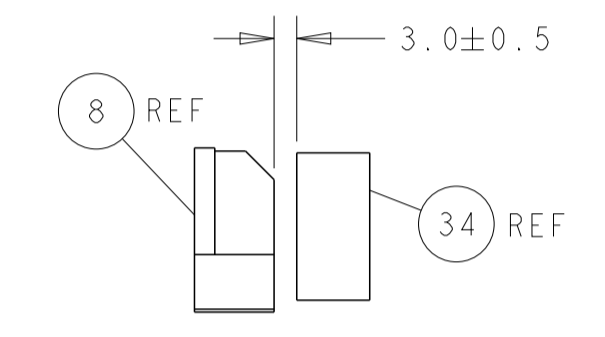
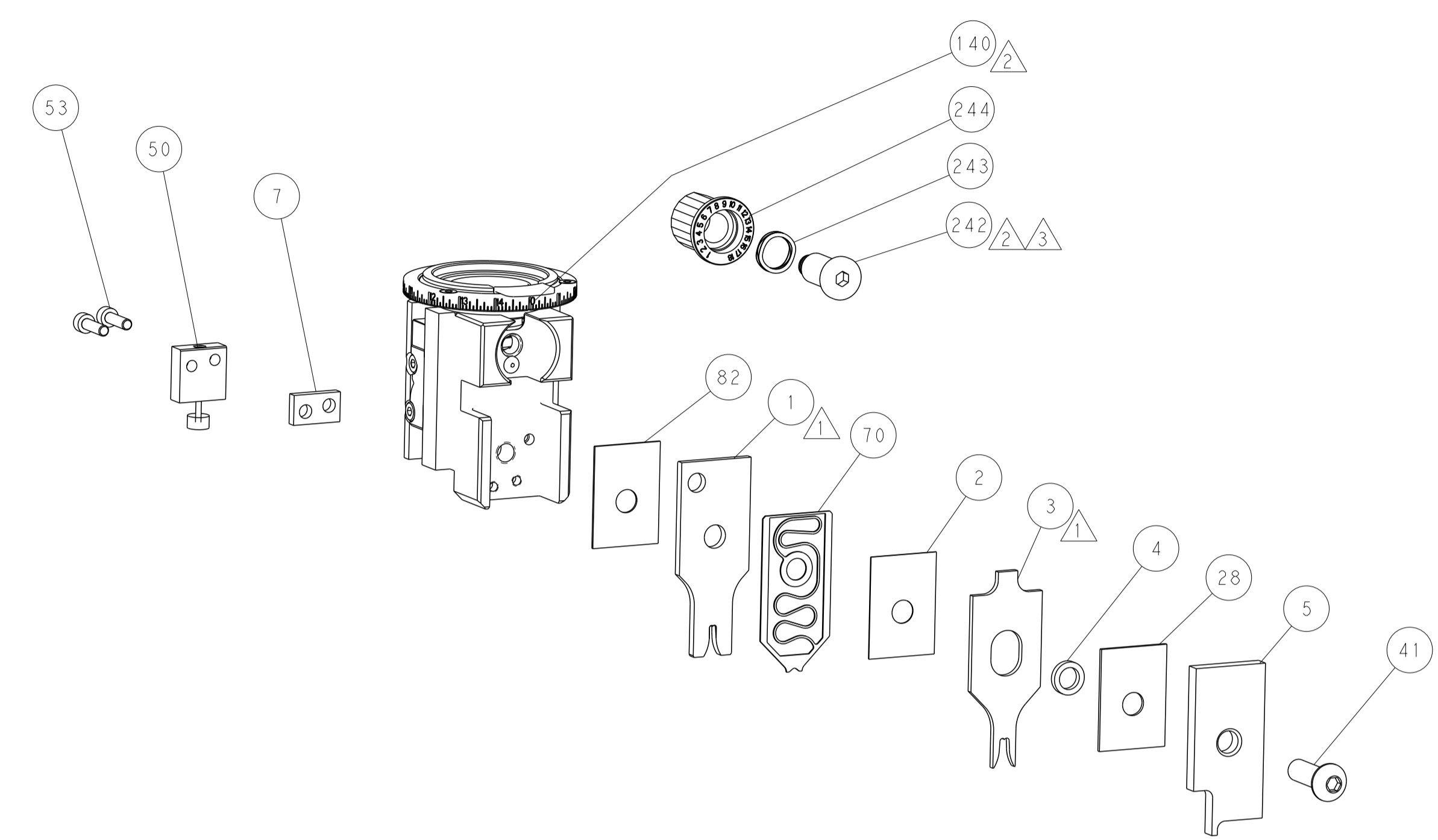
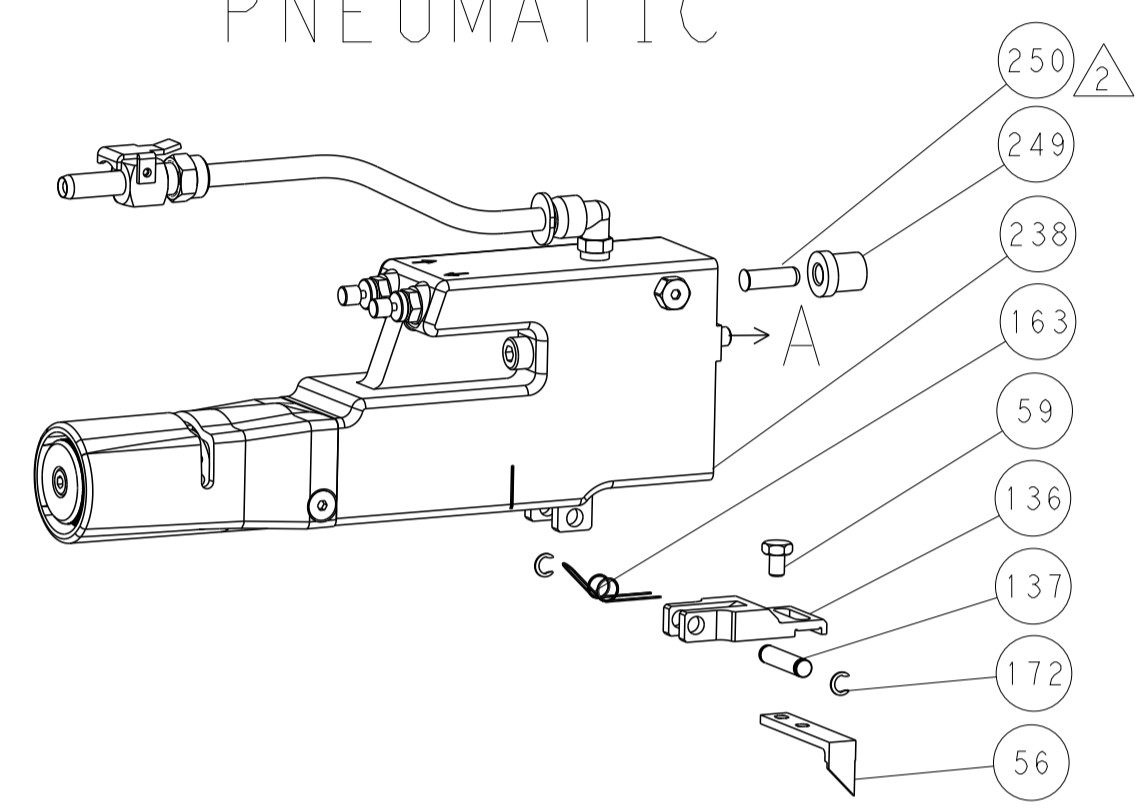
| | | | | | |
|---------------------|-----------|-----------------|----------|-----------------|-----------|
| DATE | 30JAN2012 | CHK | STAKEM | DATE | 30JAN2012 |
| CHK | G. BAILEY | APVD | T. ELBIN | DATE | 30JAN2012 |
| NAME | | NAME | | NAME | |
| Ocean Side Feed | | Ocean Side Feed | | Ocean Side Feed | |
| Applicator | | Applicator | | Applicator | |
| SIZE | A1 | CAGE CODE | 00779 | DRAWING NO | 2151554 |
| RESTRICTED CUSTOMER | | SCALE | 1:2 | SHEET | 3 OF 4 |

| LOC | DIST | REVISIONS | | | | | |
|-----|------|-----------|-----|-------------|------|-----|------|
| A | 66 | P | LTN | DESCRIPTION | DATE | OWN | APVD |
| | | - | | SEE SHEET 1 | | | |

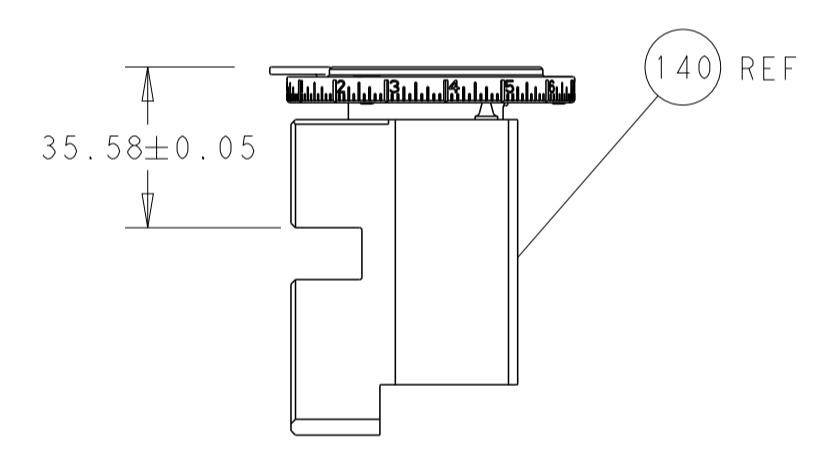
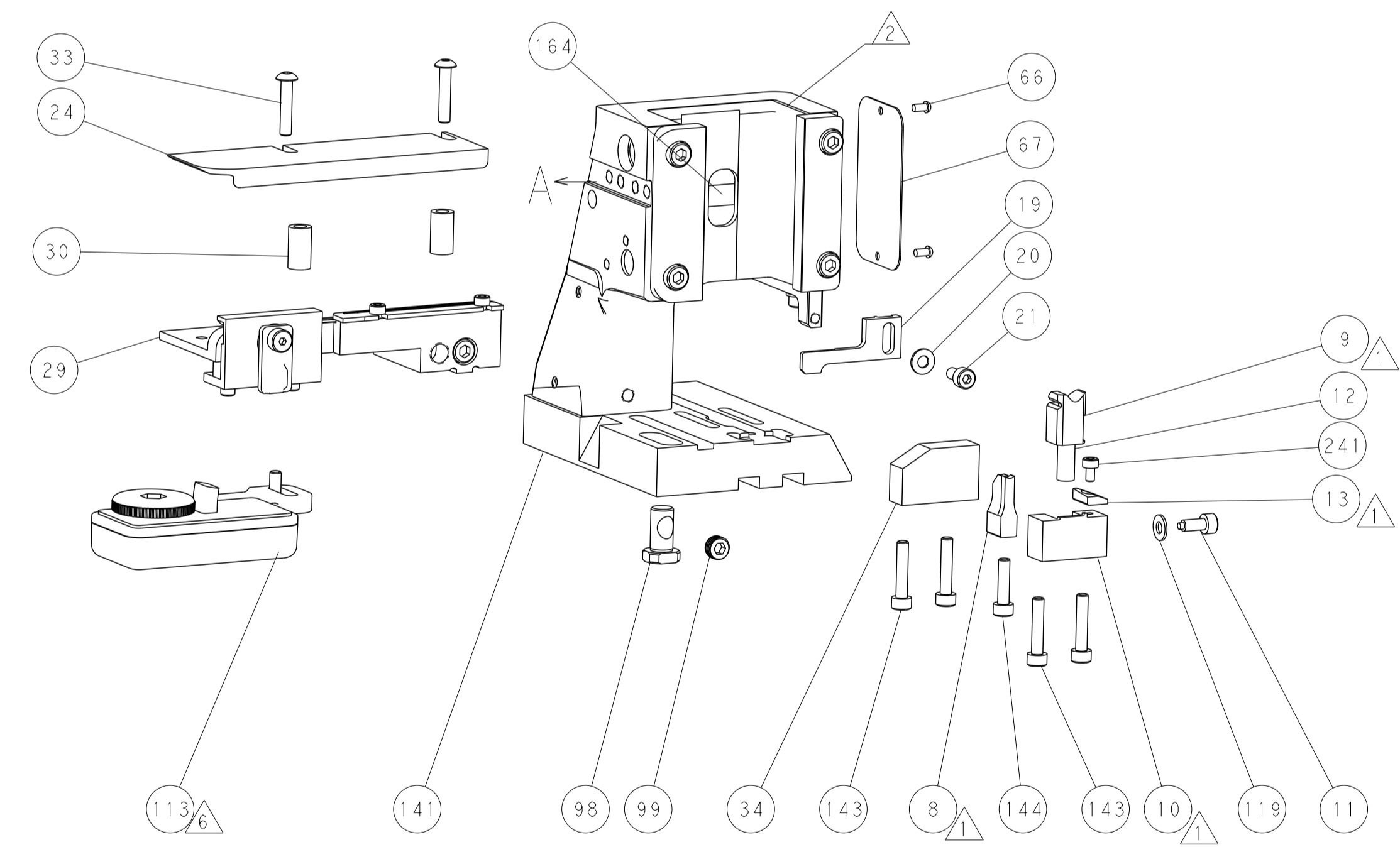
FEED TYPE MECHANICAL



PNEUMATIC

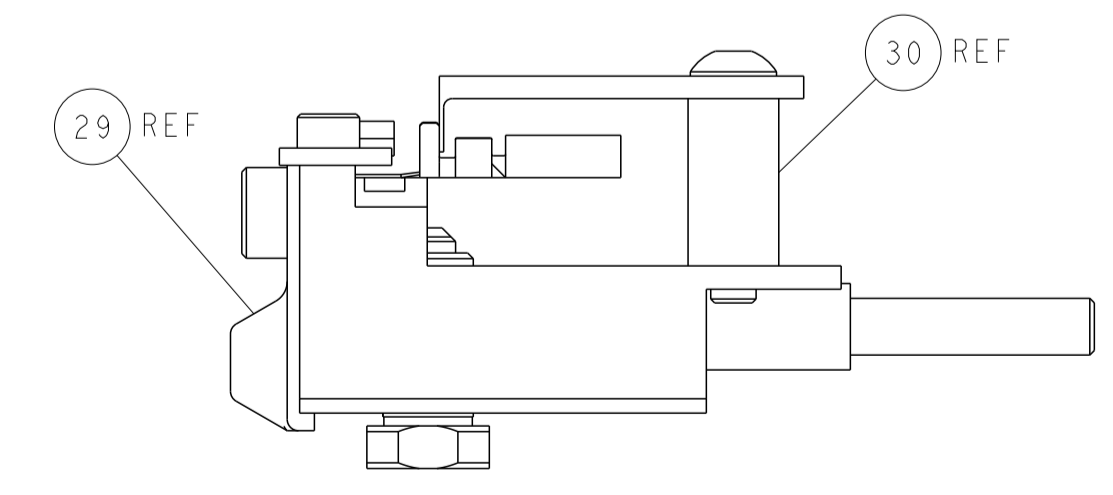


TERMINAL SUPPORT LOCATION



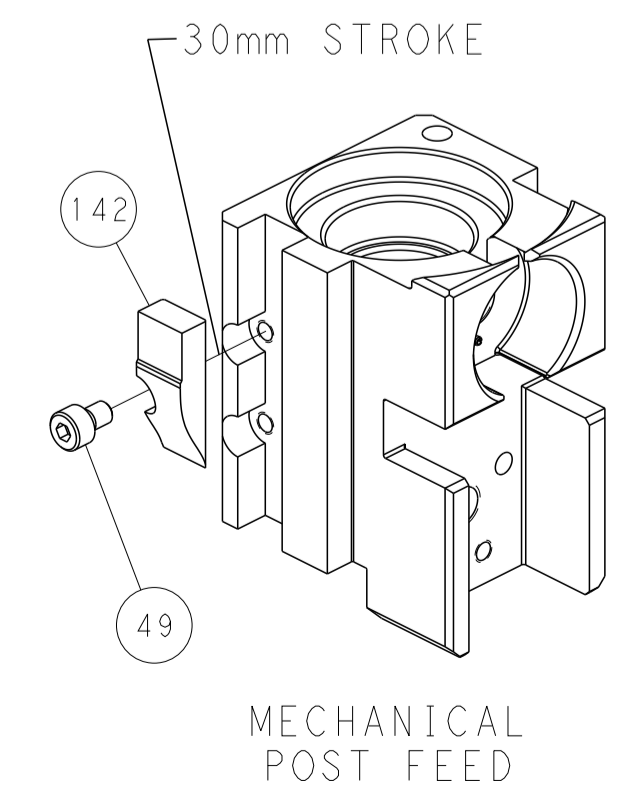
RAM SET-UP

ITEM 30 LOCATED AT
FRONT HOLES

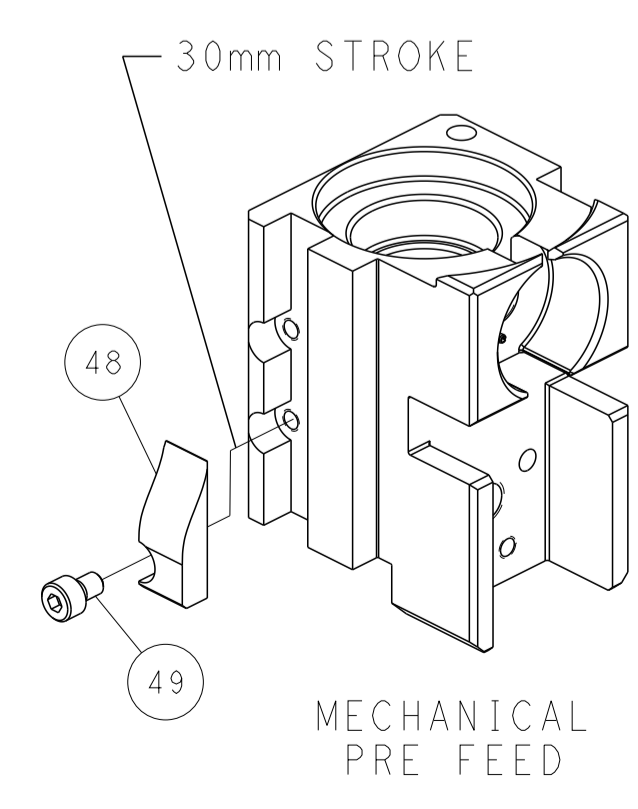


FEED TRACK POSITION
GUIDE BY INSULATION BARREL

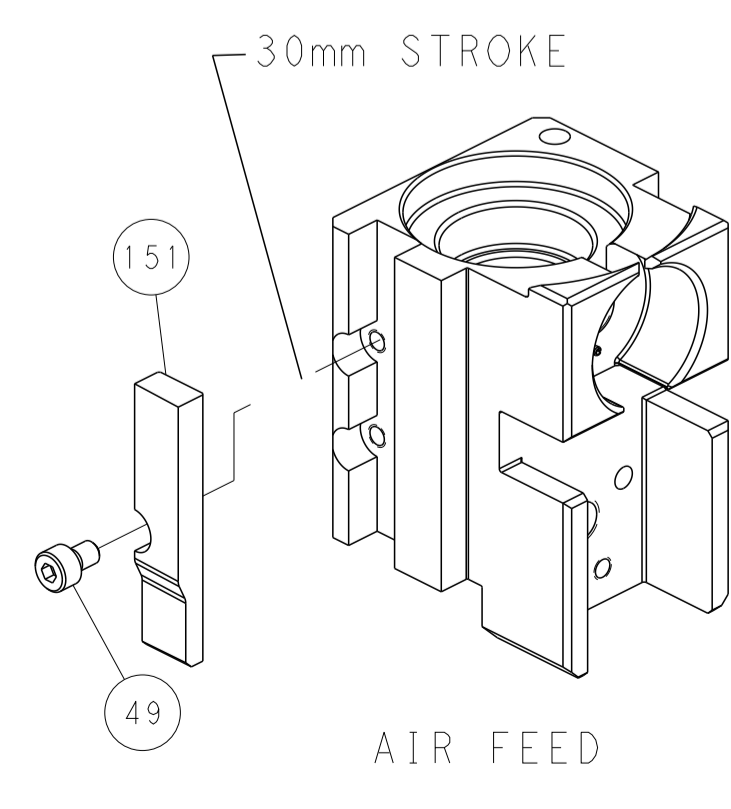
CAM POSITIONS



MECHANICAL
POST FEED



MECHANICAL
PRE FEED



AIR FEED

PACIFIC VERSION
 Shown on sheets 3 of 4 & 4 of 4
 (Atlantic version shown on sheets 1 of 4 & 2 of 4)

| | | | |
|--|--|---|---|
| <small>THIS DRAWING IS UNPUBLISHED. RELEASED FOR PUBLICATION. ALL RIGHTS RESERVED. © 2012 BY TYCO ELECTRONICS CORPORATION.</small> | | DWN: R. STAKEM 30JAN2012 CHK: G. BAILEY 30JAN2012 APVD: T. ELBIN 30JAN2012 | STE TE Connectivity Harrisburg, PA 17105-3608 |
| DIMENSIONS: mm TOLERANCES UNLESS OTHERWISE SPECIFIED: 0 PLC ± 1 PLC ± 2 PLC ± 3 PLC ± 4 PLC ± ANGLES FINISH ± | | NAME: Ocean Side Feed Applicator APPLICATION SPEC: - PRODUCT SPEC: - RESTRICTED TO: - | SIZE: A1 CAGE CODE: 00779 DRAWING NO: 2151554 SCALE: 1:2 SHEET 4 OF 4 REV C |
| MATERIAL: - FINISH: - | | WEIGHT: - RESTRICTED CUSTOMER: - | DATE: - DATE: - DATE: - |