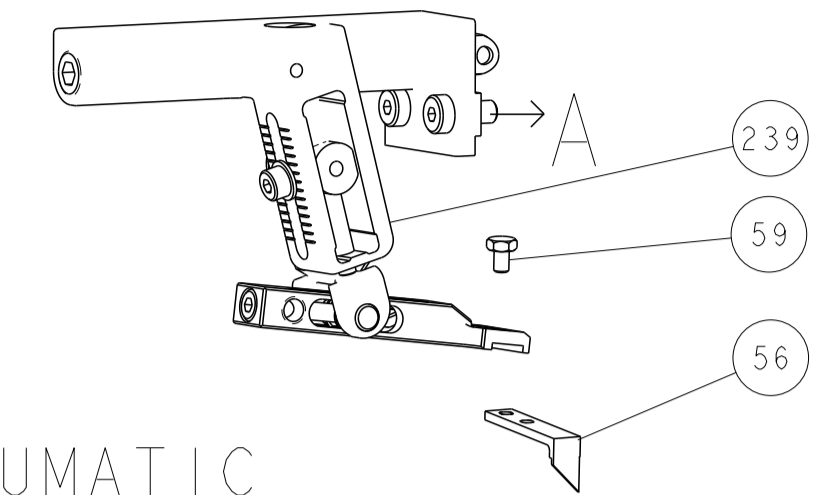


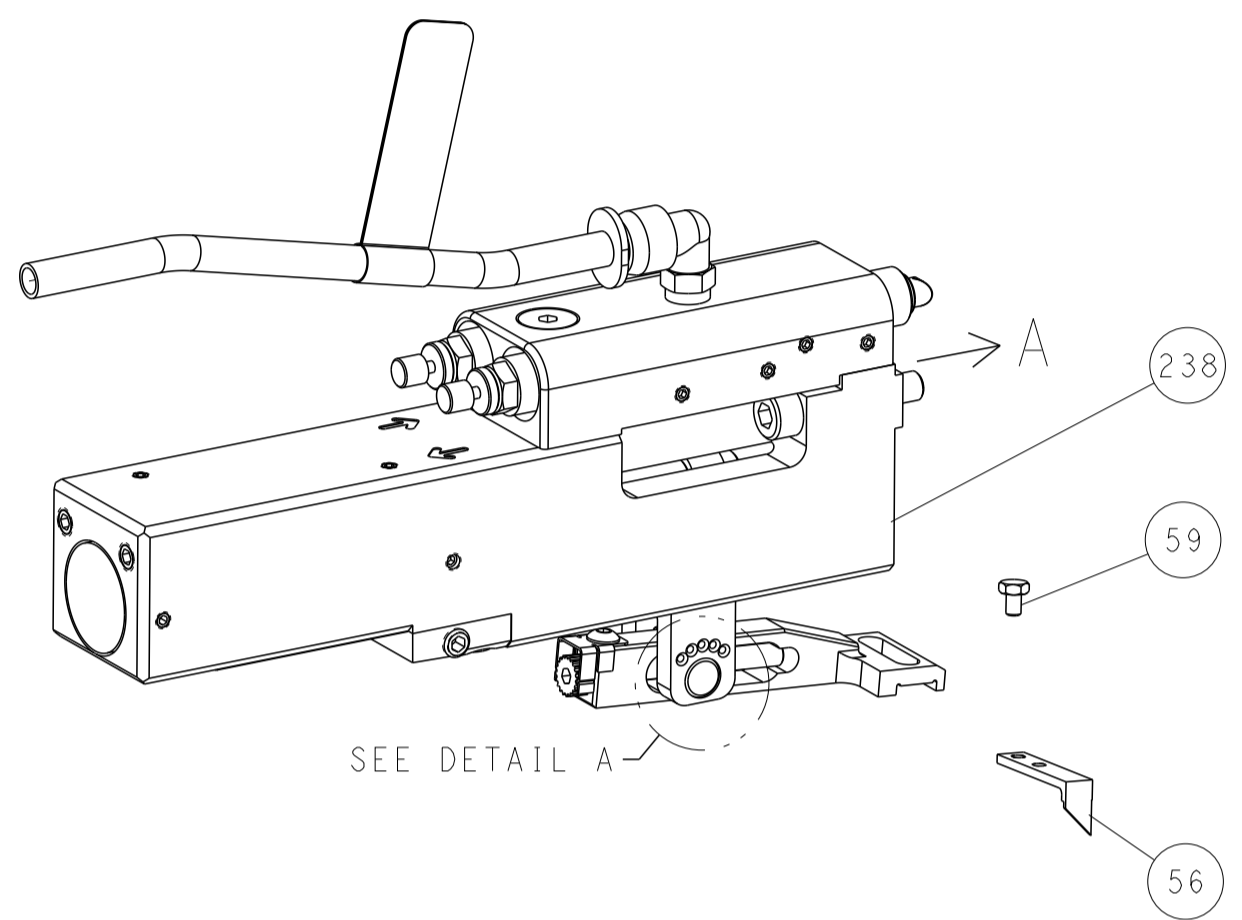


| LOC | DIST | REVISIONS |     |             |      |     |      |
|-----|------|-----------|-----|-------------|------|-----|------|
| A   | 66   | P         | LYN | DESCRIPTION | DATE | OWN | APVD |
|     |      | -         |     | SEE SHEET 1 |      |     |      |

# FEED TYPE MECHANICAL



## PNEUMATIC

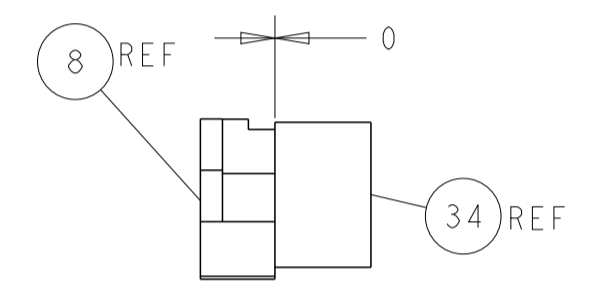
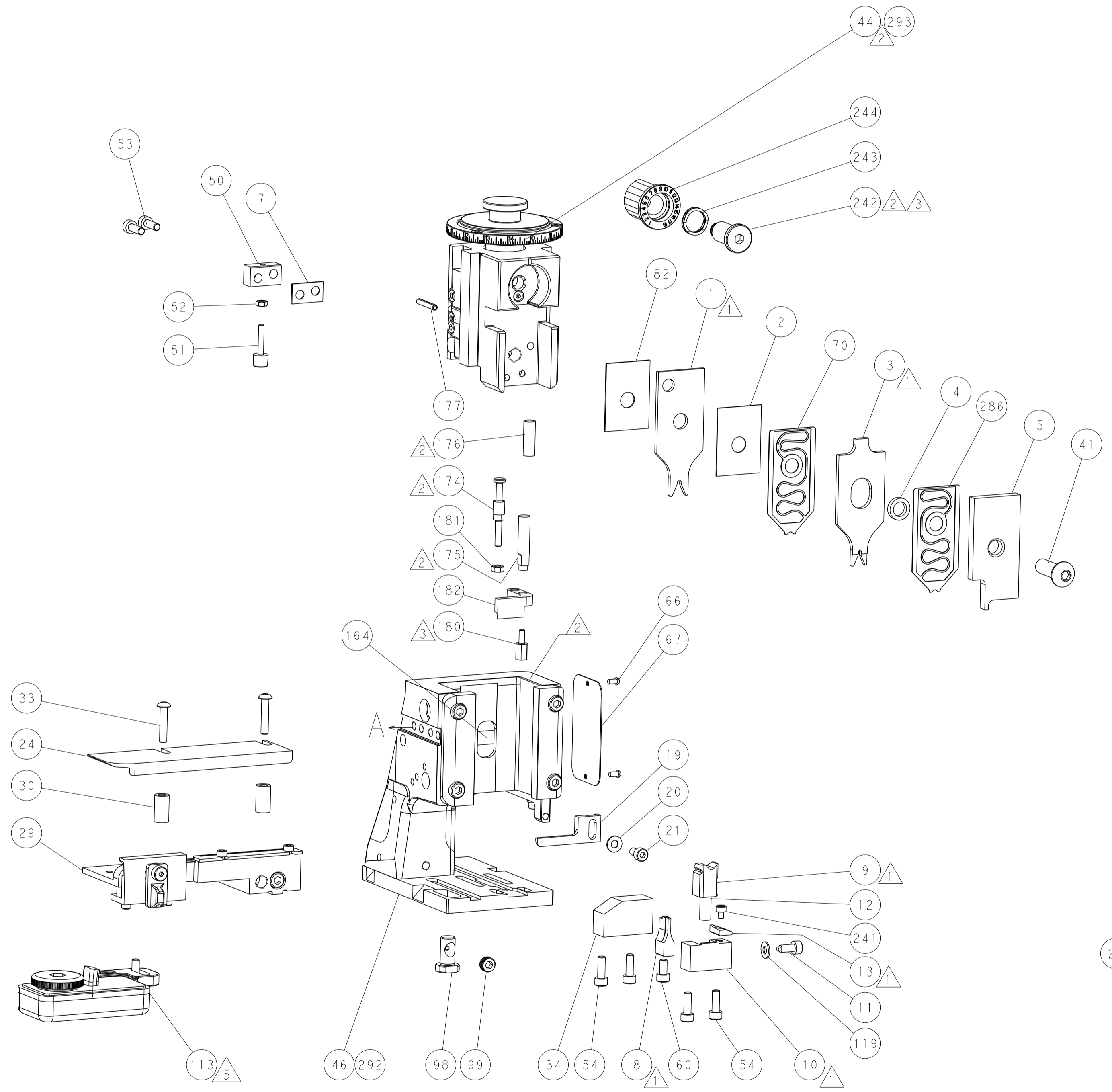
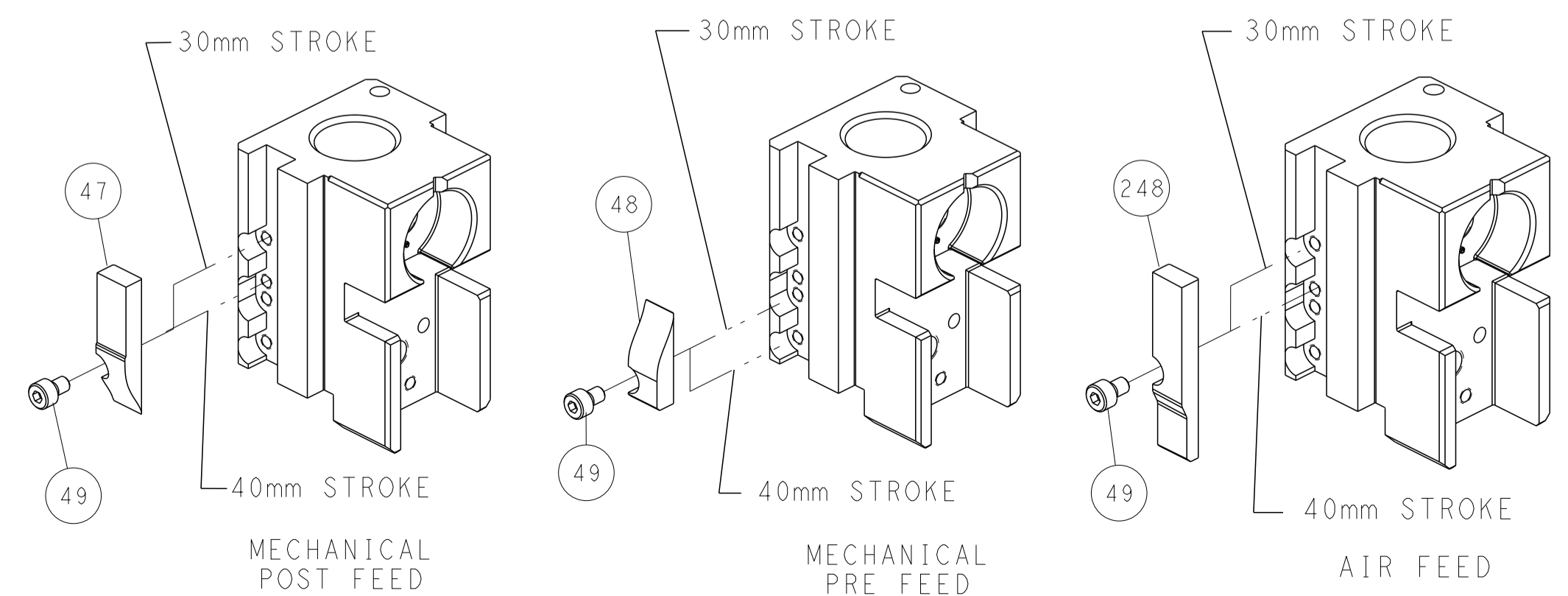


### FEED SPRING SETTING POSITION (SHOWN FROM REAR SIDE)

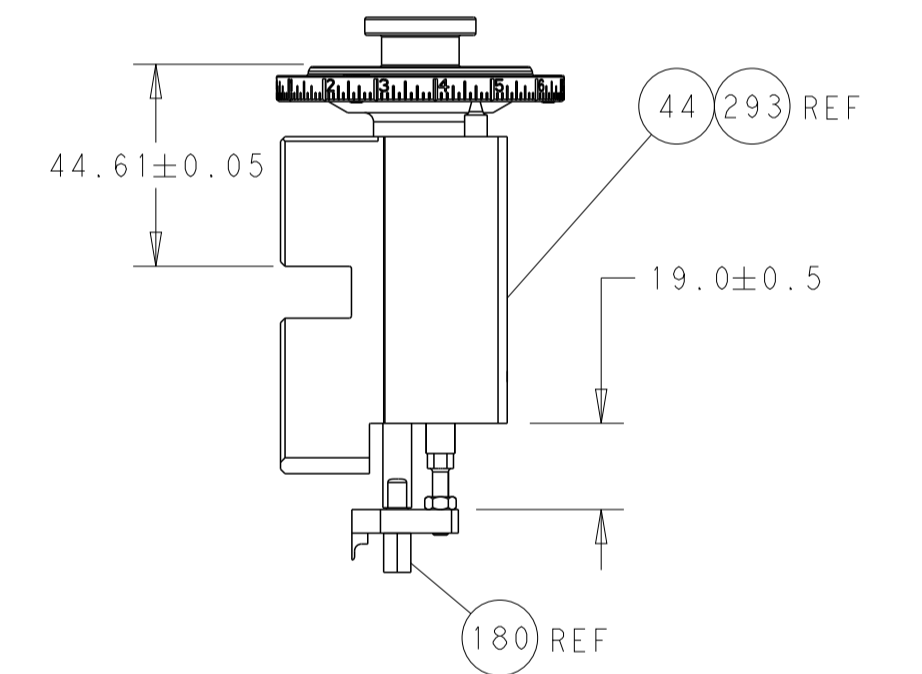


DETAIL A

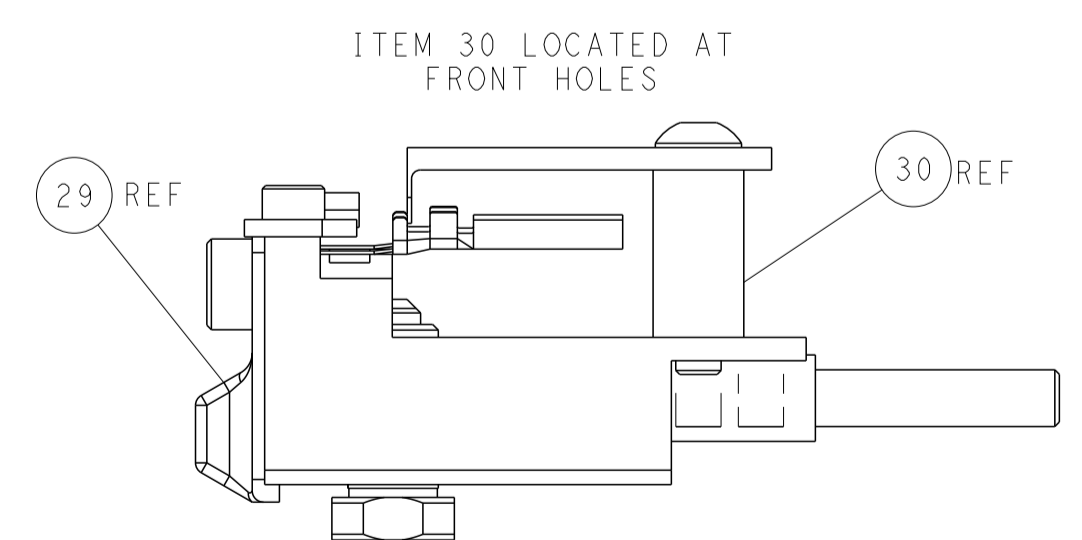
## CAM POSITIONS



TERMINAL SUPPORT LOCATION



RAM & HOLD DOWN SET-UP



FEED TRACK POSITION GUIDE BY INSULATION BARREL

|   |  |   |  |  |  |
|---|--|---|--|--|--|
| DIMENSIONS:<br>mm<br>   |  | TOLERANCES UNLESS OTHERWISE SPECIFIED:<br>0 PLC ±<br>1 PLC ±<br>2 PLC ±<br>3 PLC ±<br>4 PLC ±<br>ANGLES ±<br>FINISH |  | DWN R. KNEPPER 04-Oct-13<br>CHK G. BAILEY 04-Oct-13<br>APVD M. CLIFFORD 04-Oct-13<br>NAME Ocean Side Feed Applier<br>SIZE CAGE CODE DRAWING NO RESTRICTED TO<br>A1 00779 C=2266104<br>Customer Accessible Production Drawing SCALE 1:2 SHEET 2 OF 4 REV D1 |  |
| THIS DRAWING IS UNPUBLISHED. RELEASED FOR PUBLICATION. ALL RIGHTS RESERVED. |  |   |  | TE Connectivity<br>Harrisburg, PA 17105-3608   |  |